

March 5, 2020

Version 1

Front Rocker Arm Oil Control Valve Leaks

AFFECTED VEHICLES

Year	Model	Trim	VIN Range
2013-15	RDX	ALL	ALL

SYMPTOM

The front rocker arm oil control valve is leaking.

POSSIBLE CAUSES

The gasket on the front rocker arm oil control valve has deteriorated or the gasket groove is out of specification.

CORRECTIVE ACTION

Inspect the front rocker arm oil control valve for leaks and, if needed, replace it.

PARTS INFORMATION

Part Number	Part Name	Quantity
15810-R70-A04	Front Rocker Arm Oil Control Valve (Spool Valve)	1

WARRANTY CLAIM INFORMATION

The normal warranty applies.

Operation Number	Description	Flat Rate Time	Defect Code	Symptom Code	Template ID	Failed Part Number
1101HT	Replace the front rocker arm oil control valve.	0.8 hr	01102	05101	B20014A	15810-R70-A04

Skill Level: Repair Technician

CLIENT INFORMATION: The information in this bulletin is intended for use only by skilled technicians who have the proper tools, equipment, and training to correctly and safely maintain your vehicle. These procedures should not be attempted by "do-it-yourselfers," and you should not assume this bulletin applies to your vehicle, or that your vehicle has the condition described. To determine whether this information applies, contact an authorized Acura automobile dealer.

DIAGNOSIS

Inspect the front rocker arm oil control valve for signs of oil leaks.

NOTES

Clean up any oil around the valve and apply trace powder or developer and run the engine.

- If oil is leaking from it, go to REPAIR PROCEDURE.
- If oil is not leaking from it, this bulletin does not apply. Continue with normal system troubleshooting.

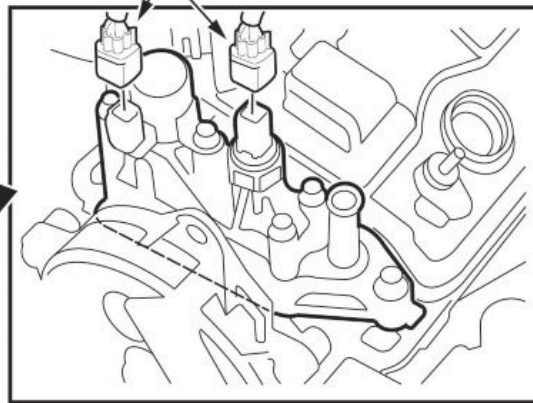
REPAIR PROCEDURE

1. Remove the engine cover.
2. Disconnect the two connectors from the front rocker arm oil control valve.

FRONT ROCKER ARM OIL CONTROL VALVE



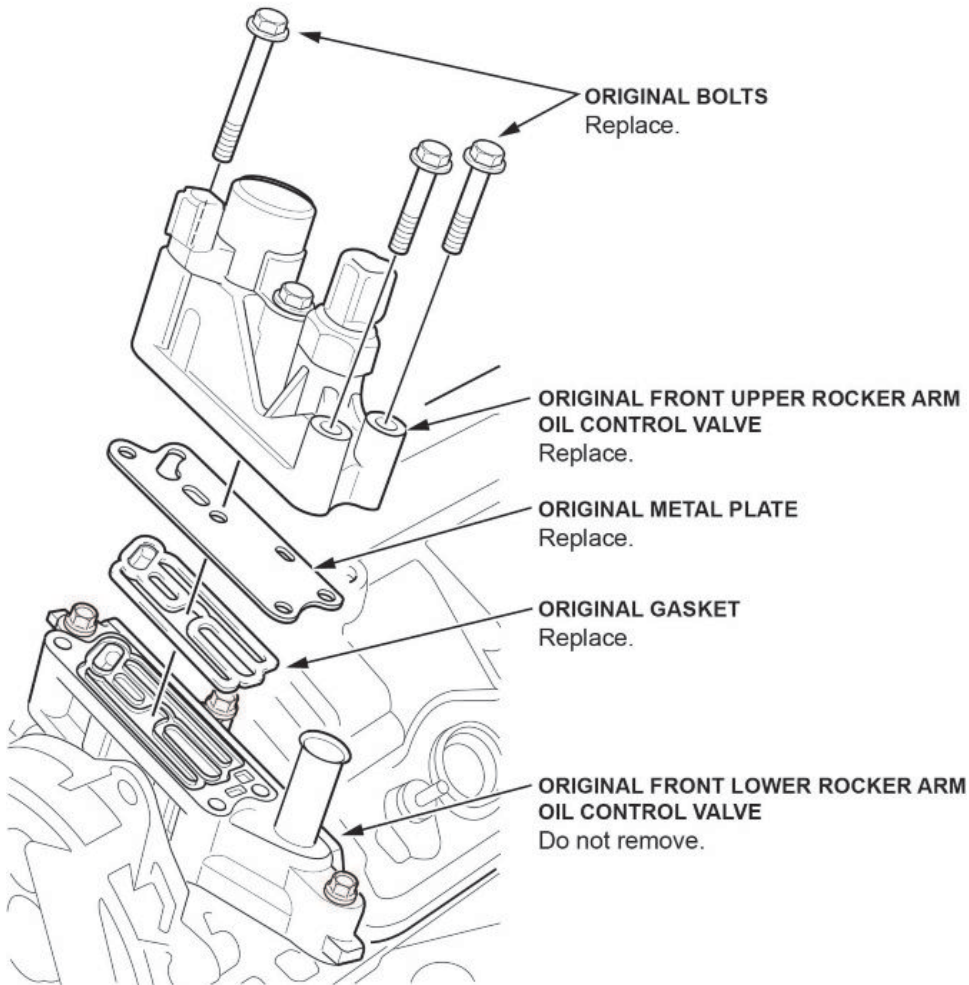
CONNECTORS



3. Remove the three outer bolts that hold the upper front rocker arm oil control valve to the lower assembly.

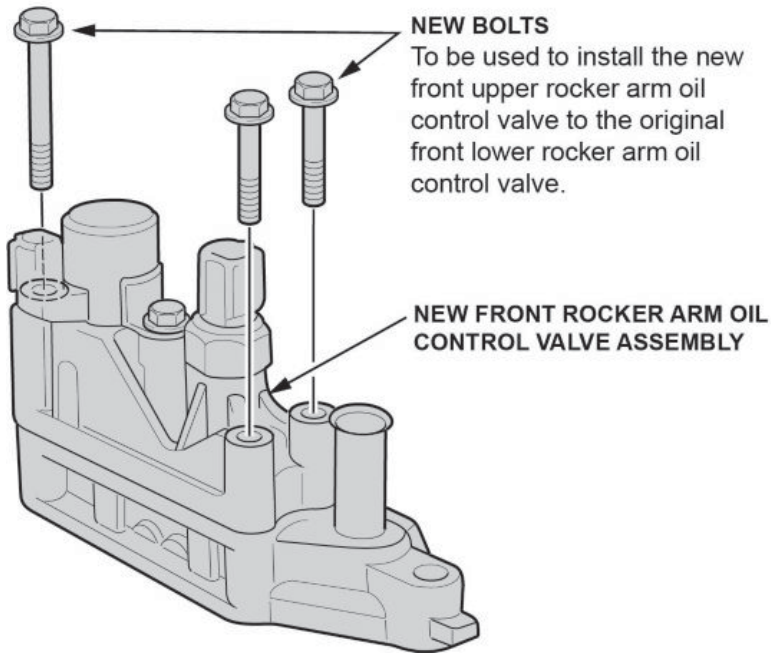
NOTE

Do not remove the original front lower rocker arm oil control valve. If you remove it without loosening all of the valve adjusters and rocker shaft bolts in sequence, misfire DTCs can set after reassembly. Replacing only the gasket can result in an oil leak and a comeback.

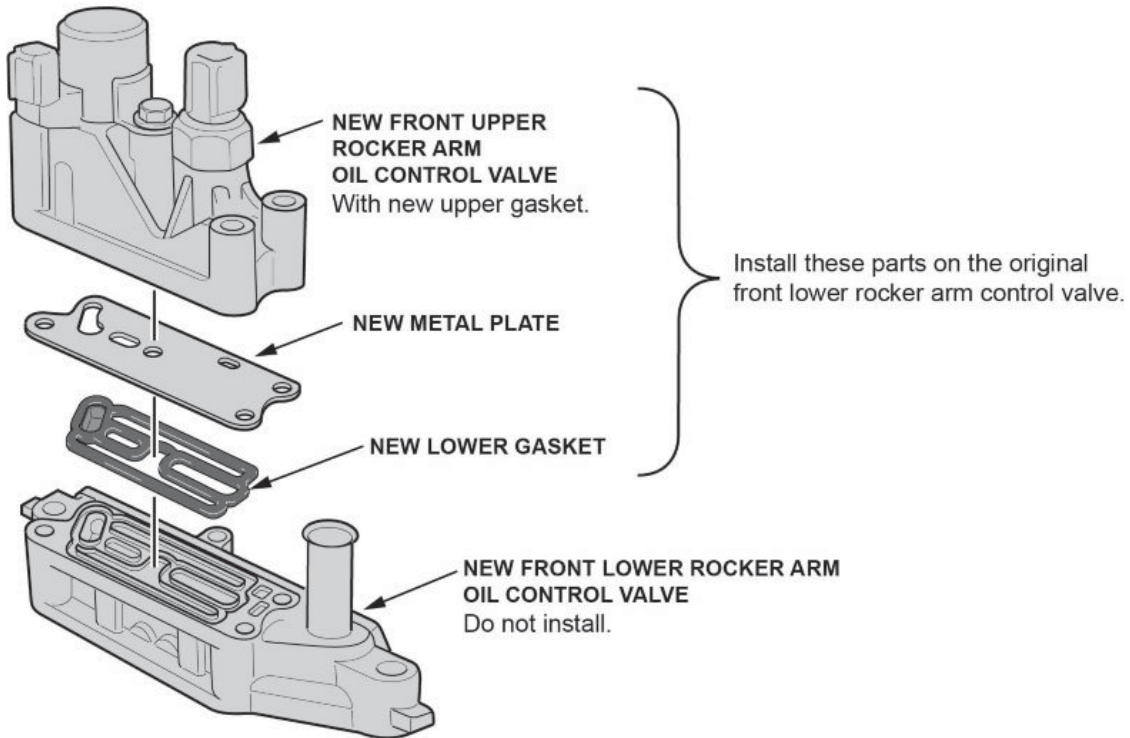


4. Remove the metal plate and the lower gasket from the front lower rocker arm oil control valve.

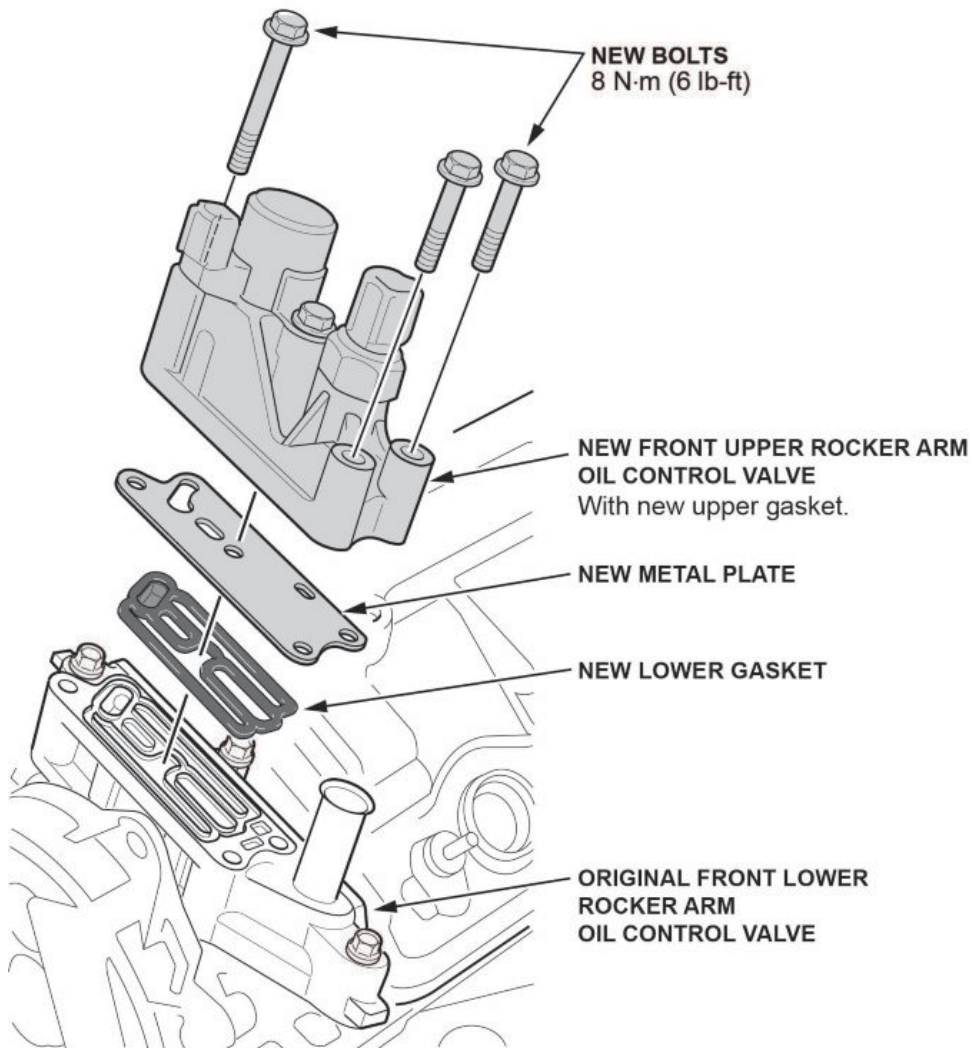
5. Remove the three outer bolts from the new front rocker arm oil control valve.



6. Remove the new lower gasket, and metal plate from the new front lower rocker arm oil control valve.



7. Install the new lower gasket to the original front lower portion of the rocker arm oil control valve.



8. Install the new metal plate, front rocker arm oil control valve, and bolts. Torque the bolts to **8 N·m (6 lb-ft)**.
9. Reconnect the connectors.
10. Install the engine cover.
11. Make sure the repair is complete.

END