

March 6, 2020

Version 1

## Panoramic Glass Roof Stops and Reverses While Opening or Closing

### AFFECTED VEHICLES

Year	Model	Trim	VIN Range
2019	RDX	ALL	ALL

### SYMPTOM

The panoramic glass roof will stop and reverse while opening or closing with no visible obstructions.

### POSSIBLE CAUSES

The anti-pinch safety feature of the panoramic glass roof is falsely activating.

### CORRECTIVE ACTION

Check for pinching in the panoramic glass roof primary seal. Depending on the results, replace the primary seal or the panoramic glass roof motors.

### PARTS INFORMATION

#### PANORAMIC GLASS ROOF PRIMARY SEAL

Part Name	Part Number	Quantity
Panoramic Glass Roof Primary Seal	70205-TJB-A01	1
A-Pillar Trim Clip	91561-T8N-T01	2
Quarter Pillar Trim Clip	91561-TA5-A11	2
Bolt (Glass)	70229-TJB-A01	12

#### PANORAMIC GLASS ROOF MOTORS

Part Name	Part Number	Quantity
Panoramic Glass Roof Motors	70450-TJB-A51	2
A-Pillar Trim Clip	91561-T8N-T01	2
Quarter Pillar Trim Clip	91561-TA5-A11	2

**CLIENT INFORMATION:** The information in this bulletin is intended for use only by skilled technicians who have the proper tools, equipment, and training to correctly and safely maintain your vehicle. These procedures should not be attempted by "do-it-yourselfers," and you should not assume this bulletin applies to your vehicle, or that your vehicle has the condition described. To determine whether this information applies, contact an authorized Acura automobile dealer.

## WARRANTY CLAIM INFORMATION

The normal warranty applies.

Operation Number	Description	Flat Rate Time	Defect Code	Symptom Code	Template ID	Failed Part Number
8141S3	Replace the panoramic glass roof primary seal.	3.6 hr	03214	03217	B19067A	70205-TJB-A01
7291A4	Replace the panoramic glass roof motors (includes panoramic glass roof resetting procedure).	2.0 hr	03214	03217	B19067B	70450-TJB-A02

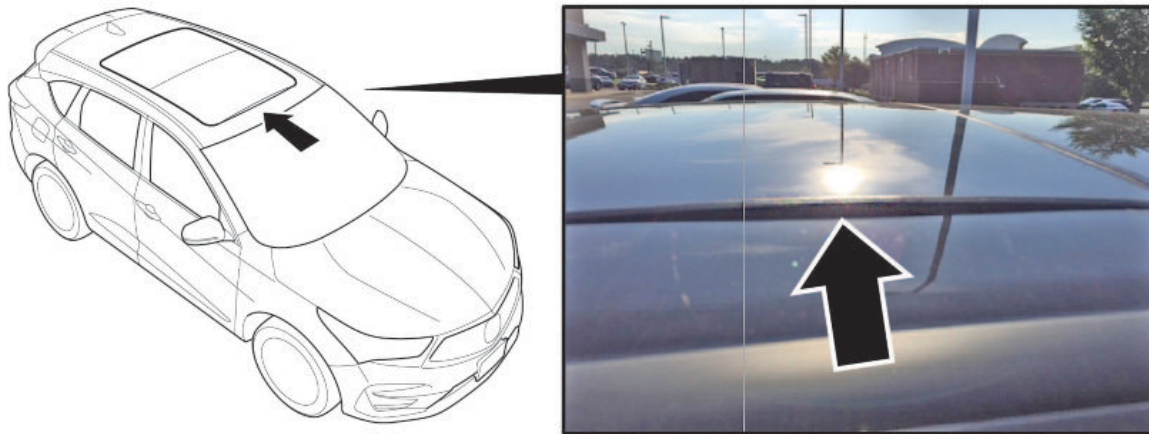
Skill Level: Repair Technician

## INSPECTION PROCEDURE

Check for signs of pinching in the panoramic glass roof primary seal.

### NOTE

The lip of the seal may flip up during operation of the panoramic glass roof; this is normal.

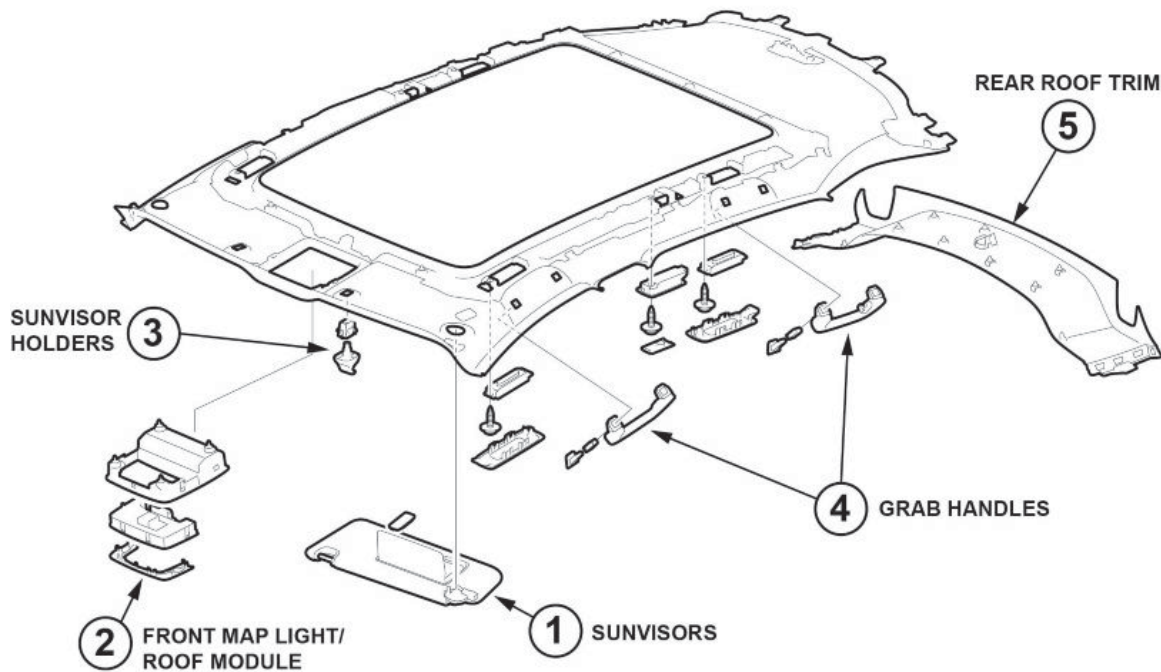


- If you see pinching, go to REPAIR PROCEDURE A - REPLACE PANORAMIC GLASS ROOF PRIMARY SEAL.
- If you do not see pinching, go to REPAIR PROCEDURE B - REPLACE PANORAMIC GLASS ROOF MOTORS.

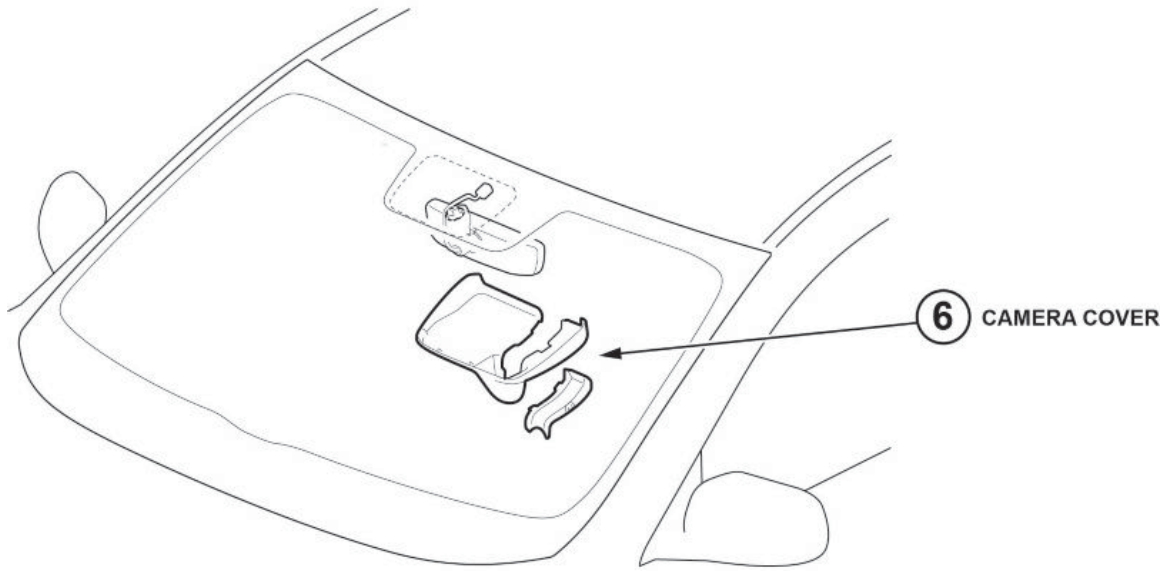
## REPAIR PROCEDURE A - REPLACE PANORAMIC GLASS ROOF PRIMARY SEAL

Remove the panoramic glass roof frame, and replace the primary seal. The following procedures have been used in full or in part within this service bulletin. For more detail on them, and torque specifications for some components, refer to the exploded views of the service manual.

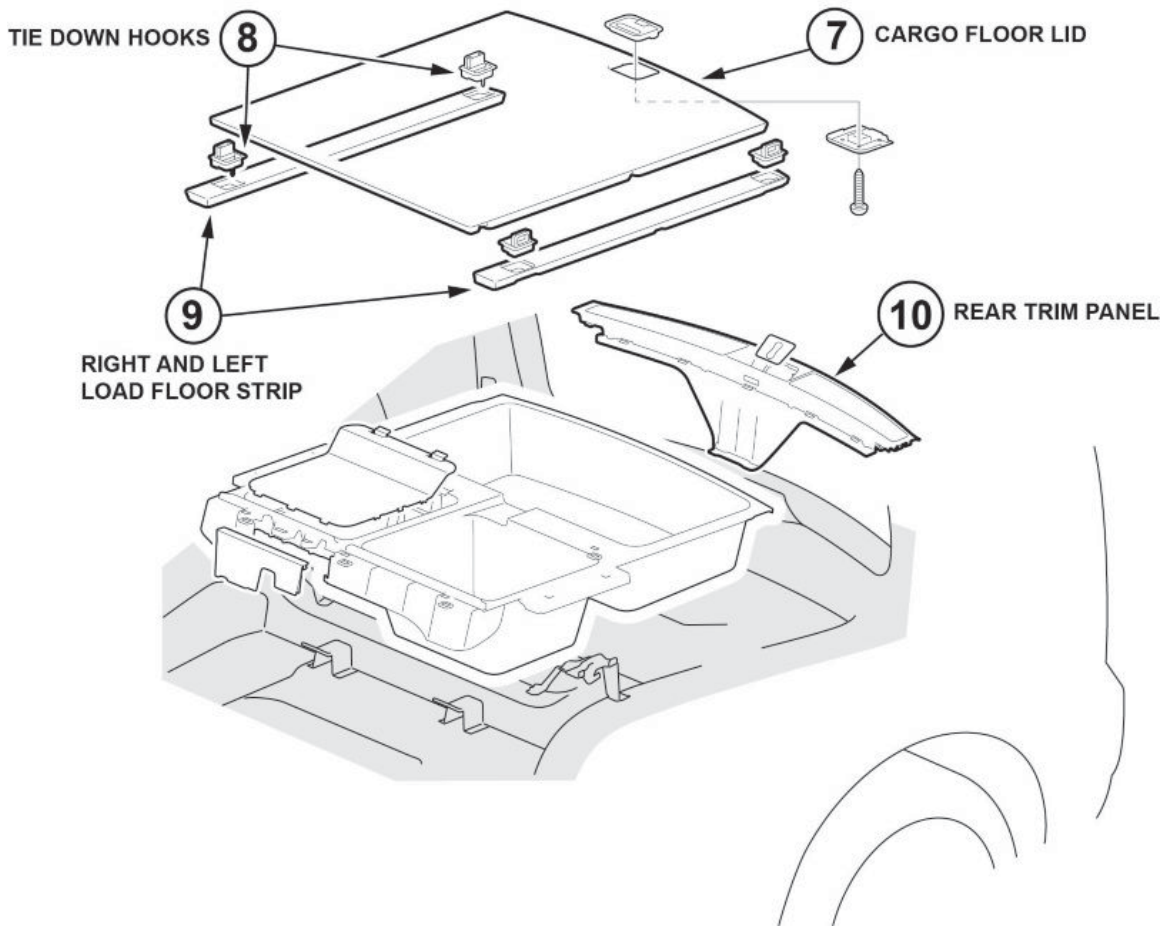
Step	Component	Exploded View Location	Service Manual Letter Reference
1	Sunvisors	Headliner Area (Image #1)	C
2	Front Individual Map Light /Roof Module		A,B
3	Sunvisor Holders		E
4	Grab Handles		F
5	Rear Roof Trim		I



Step	Component	Exploded View Location	Service Manual Letter Reference
6	Camera Cover	Windshield Area	B,C



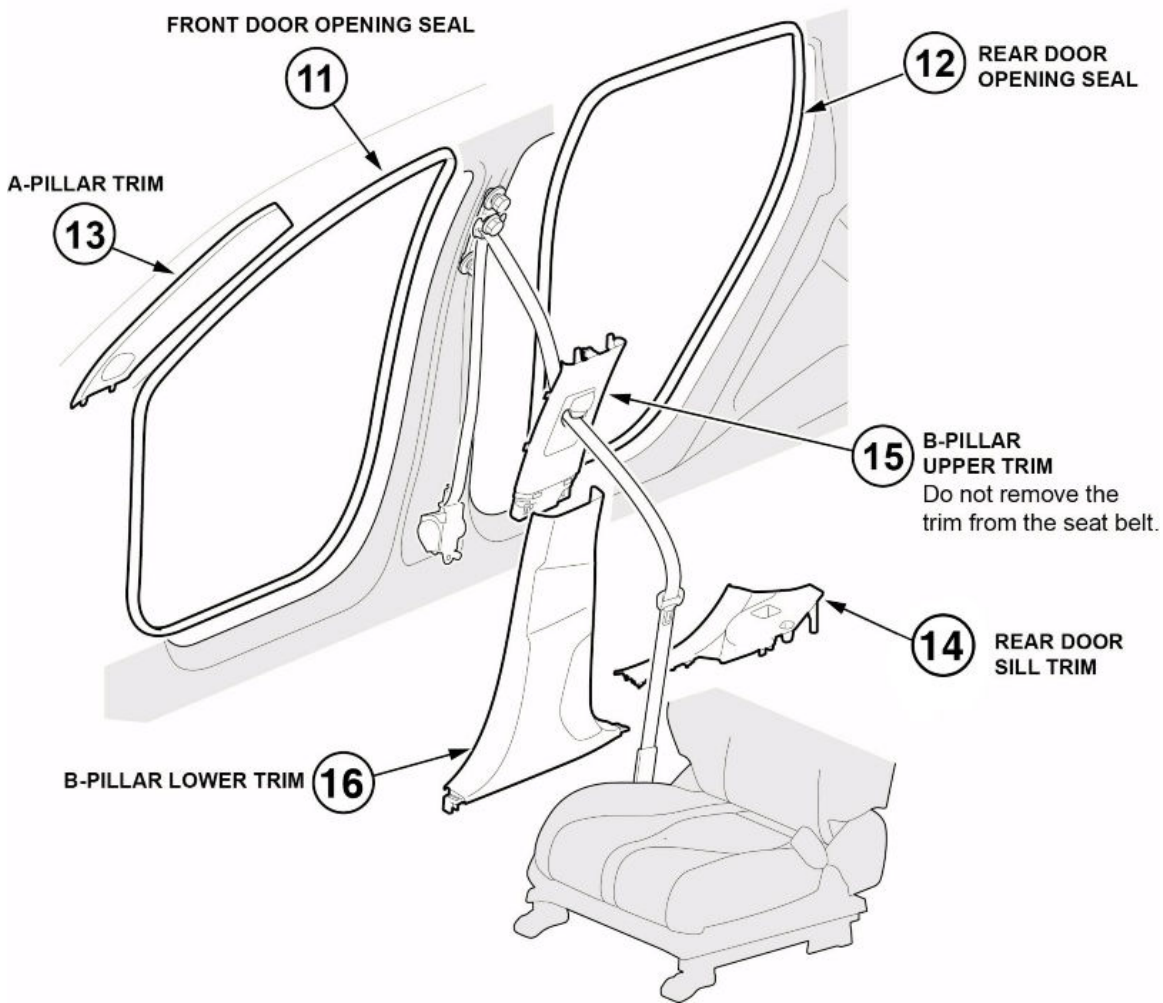
Step	Component	Exploded View Location	Service Manual Letter Reference
7	Cargo Floor Lid	Interior Trim Area (Image #2)	O
8	Tie Down Hooks		M
9	Right and Left Load Floor Strip		N
10	Rear Trim Panel		R



Step	Component	Exploded View Location	Service Manual Letter Reference
11	Front Door Opening Seal (as needed)	Interior Trim Area (Image #1)	C
12	Rear Door Opening Seal (as needed)		H
13	A-Pillar Trim		A
14	Rear Door Sill Trim		G
15	B-Pillar Upper Trim <b>NOTE</b> Do not remove the trim from the seat belt.		J
16	B-Pillar Lower Trim		F

**NOTE**

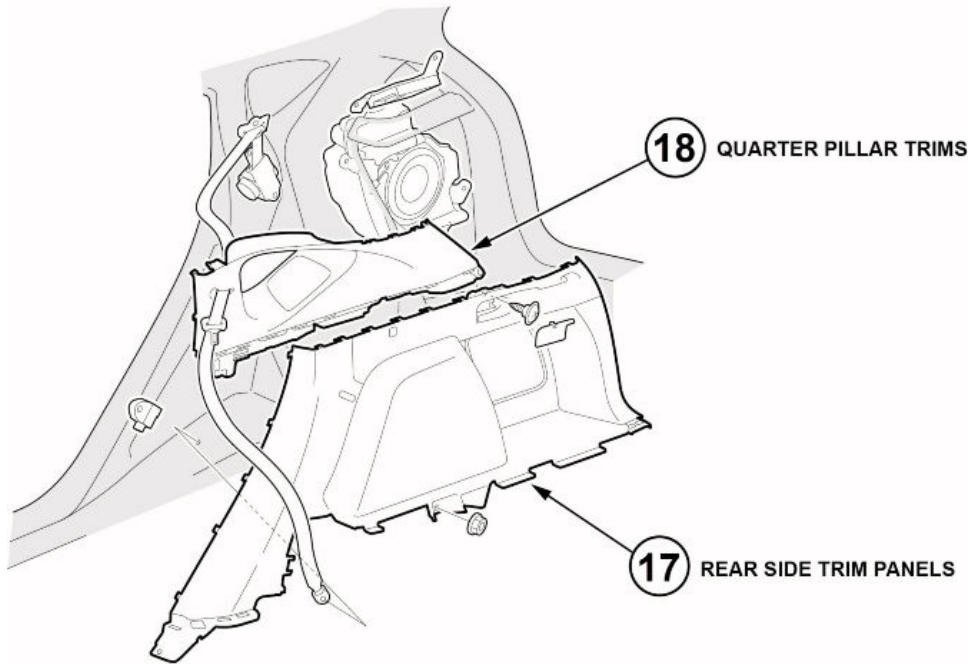
Do steps 11 thru 16 for both sides.



Step	Component	Exploded View Location	Service Manual Letter Reference
17	Rear Side Trim Panels	Interior Trim Area (Image #2)	U
18	Quarter Pillar Trims		W

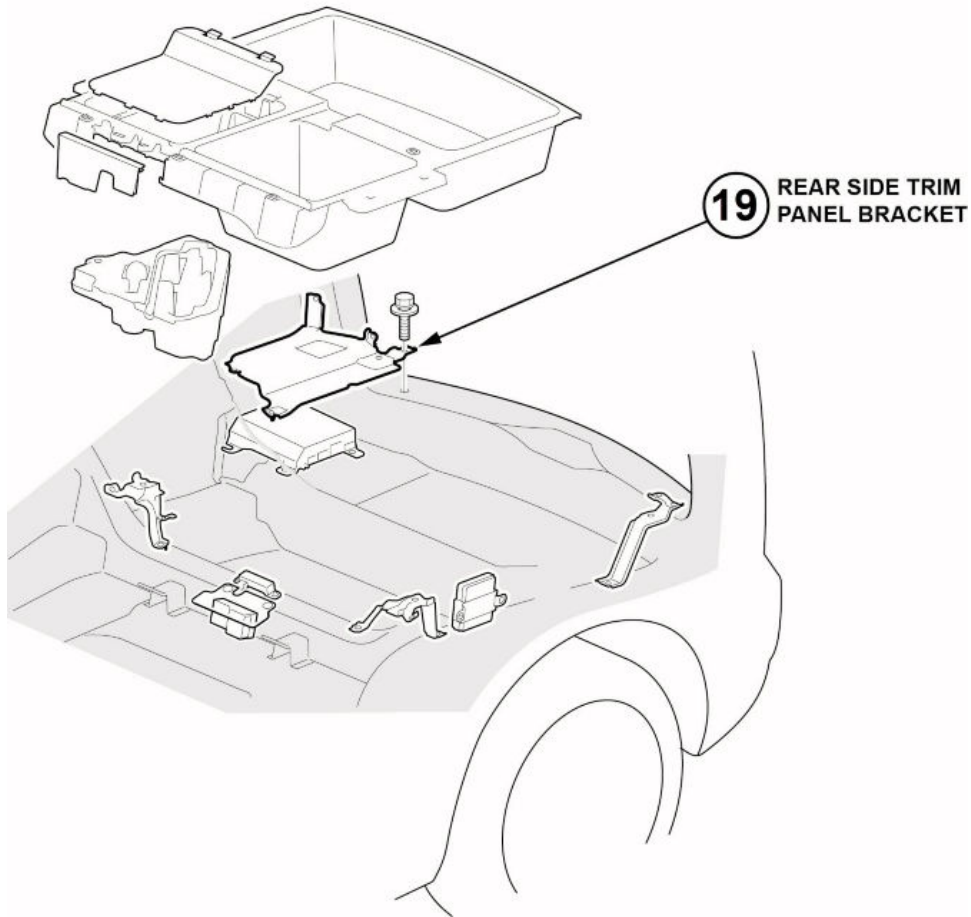
**NOTE**

Do steps 17 and 18 for both sides





Step	Component	Exploded View Location	Service Manual Letter Reference
19	Rear Side Trim Panel Bracket	Interior Trim Area	Not Available

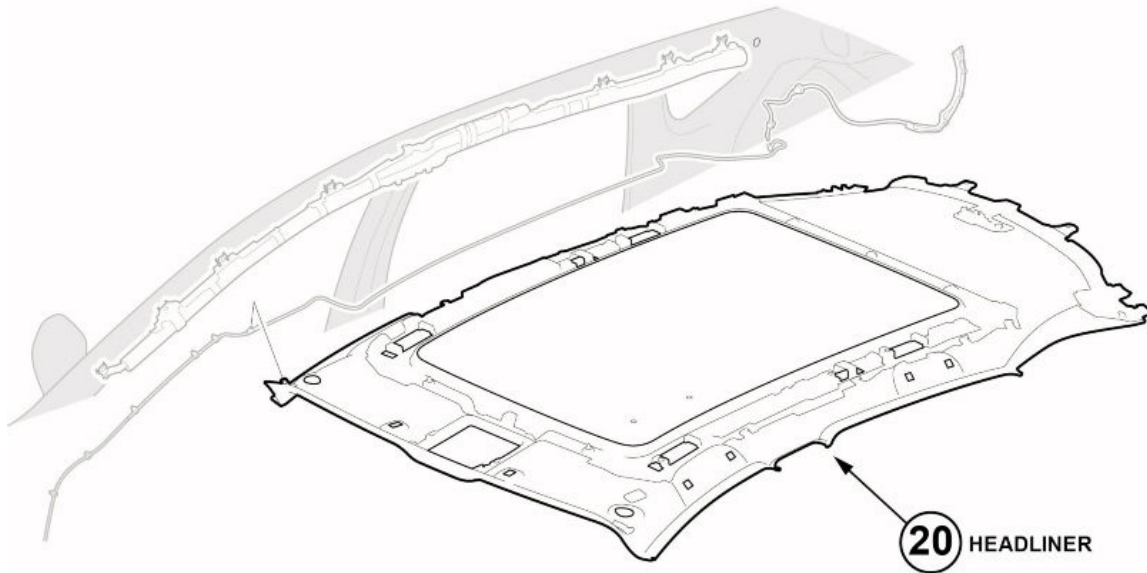




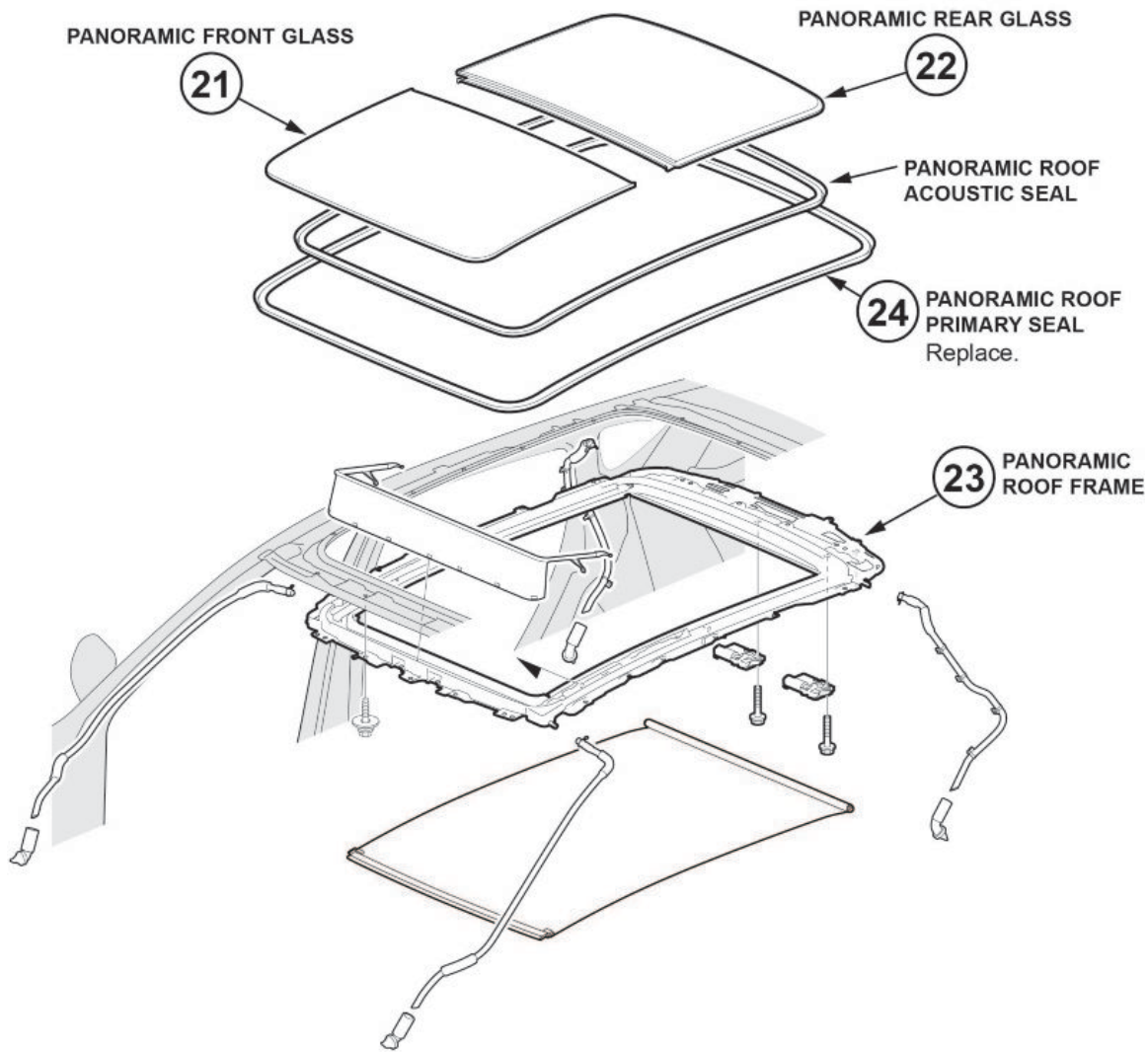
Step	Component	Exploded View Location	Service Manual Letter Reference
20	Headliner	Headliner Area (Image #1)	J

**NOTE**

You must raise the vehicle and remove the right rear damper gusset to remove the headliner without damage. Review the exploded view in the service manual.



Step	Component	Exploded View Location	Service Manual Letter Reference
21	Panoramic Front Glass	Panoramic Glass Roof Area (Image #1)	A
22	Panoramic Rear Glass		
23	Panoramic Roof Frame		D
24	Panoramic Roof Primary Seal	(Image #2)	H



- Install all components in the reverse order of removal, and follow all bolt torque specifications in the service information.
  - Replace these must-replace parts according to the service manual:
    - Panoramic Glass Roof Bolts
    - A-Pillar Trim Clips
    - Quarter Pillar Trim Clips

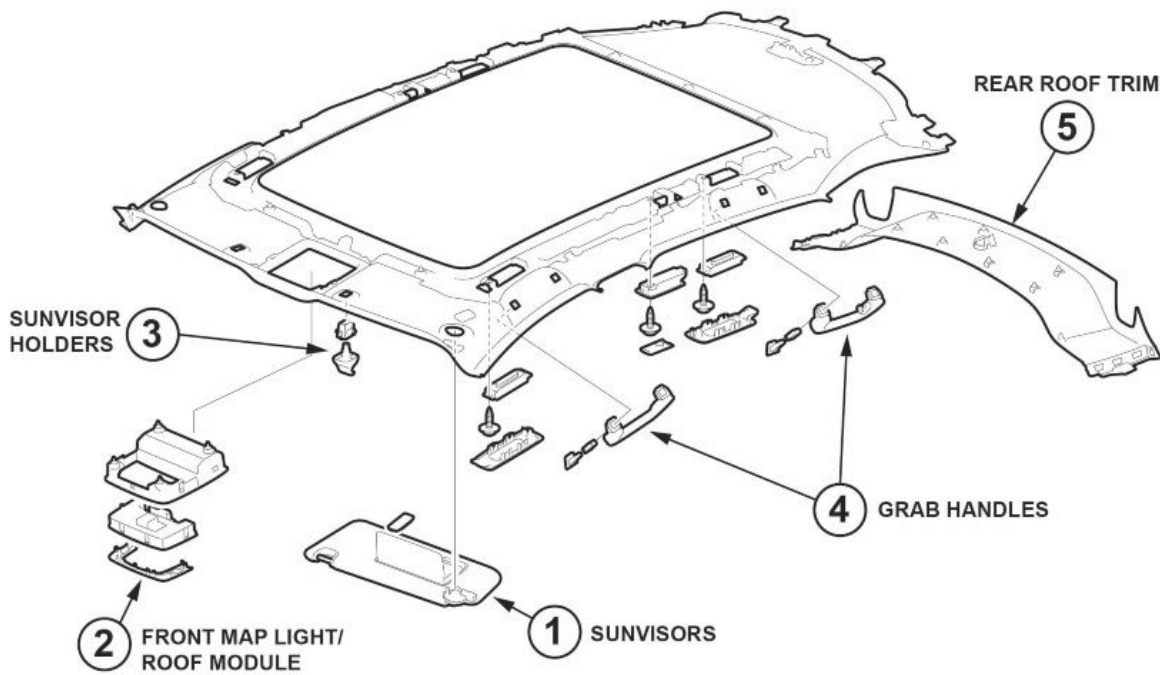
## REPAIR PROCEDURE B - REPLACE PANORAMIC GLASS ROOF MOTORS

The following procedures have been used in full or in part within this service bulletin. For more detail on them, and torque specifications for some components, refer to the exploded views of the service manuals.

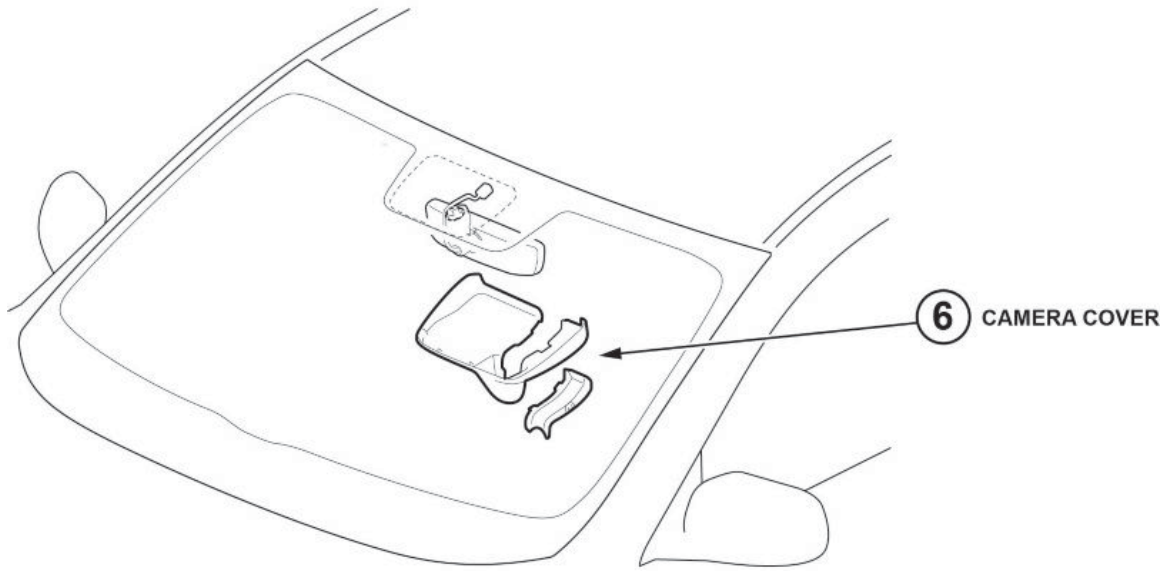
### NOTE

You do not need to remove the headliner to access the panoramic glass roof motors. Just fully lower it.

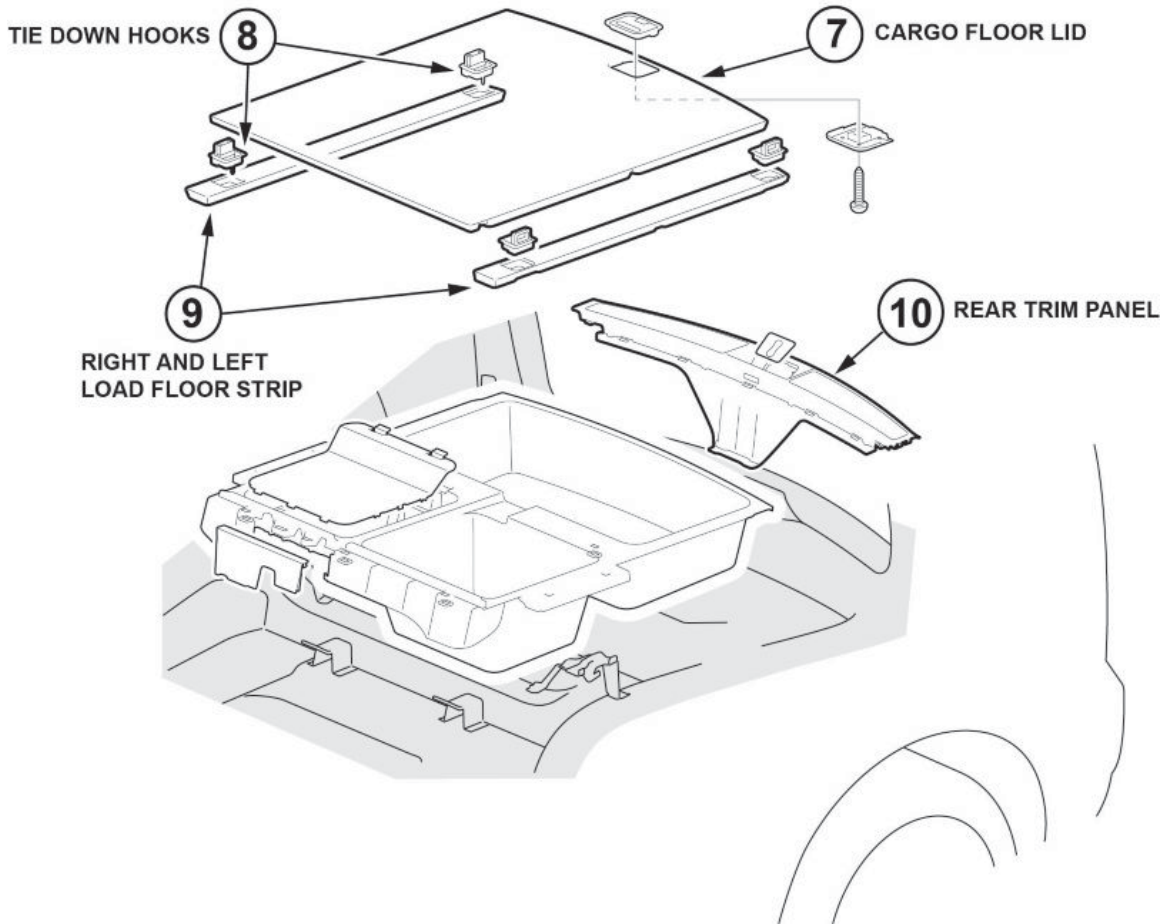
Step	Component	Exploded View Location	Service Manual Letter Reference
1	Sunvisors	Headliner Area (Image #1)	C
2	Front Individual Map Light /Roof Module		A,B
3	Sunvisor Holders		E
4	Grab Handles		F
5	Rear Roof Trim		I



Step	Component	Exploded View Location	Service Manual Letter Reference
6	Camera Cover	Windshield Area	B,C



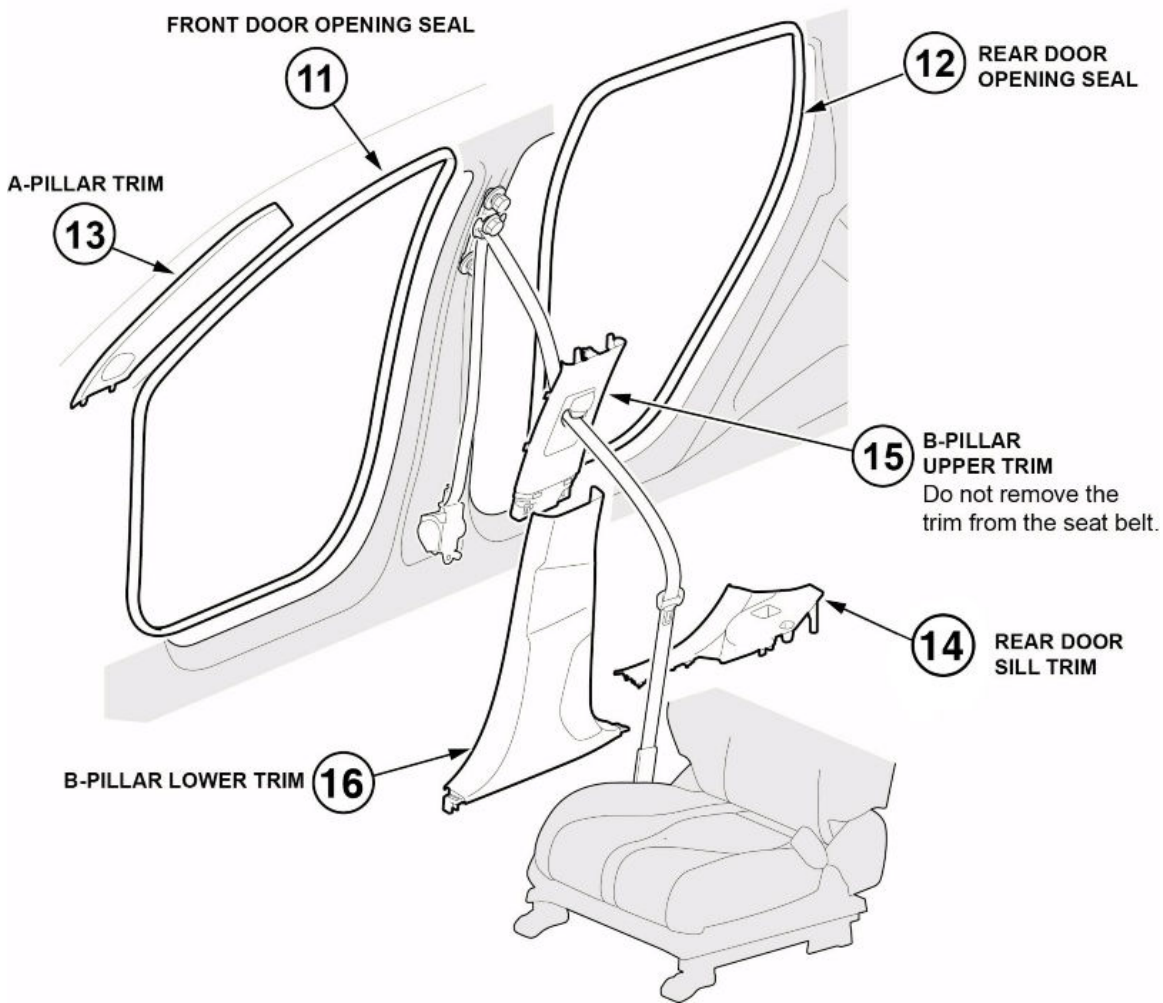
Step	Component	Exploded View Location	Service Manual Letter Reference
7	Cargo Floor Lid	Interior Trim Area (Image #2)	O
8	Tie Down Hooks		M
9	Right and Left Load Floor Strip		N
10	Rear Trim Panel		R



Step	Component	Exploded View Location	Service Manual Letter Reference
11	Front Door Opening Seal (as needed)	Interior Trim Area (Image #1)	C
12	Rear Door Opening Seal (as needed)		H
13	A-Pillar Trim		A
14	Rear Door Sill Trim		G
15	B-Pillar Upper Trim <b>NOTE</b> Do not remove the trim from the seat belt.		J
16	B-Pillar Lower Trim		F

**NOTE**

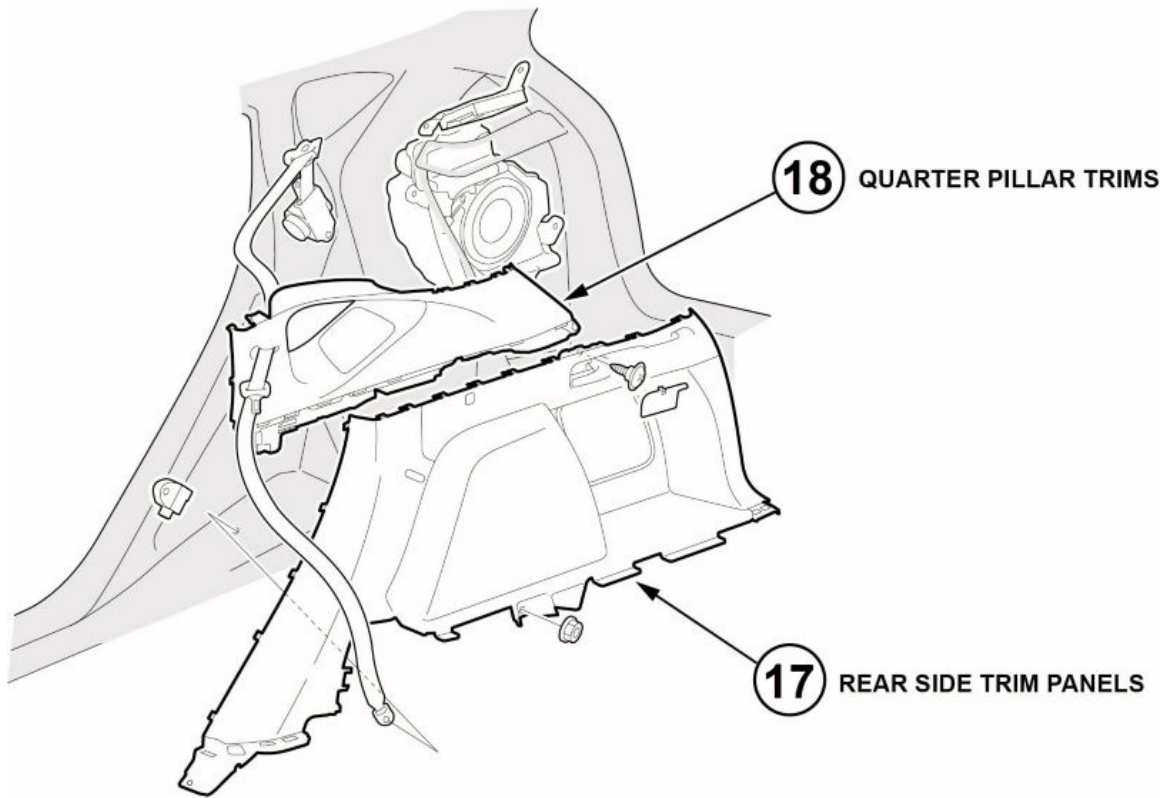
Do steps 11 thru 16 for both sides.



Step	Component	Exploded View Location	Service Manual Letter Reference
17	Rear Side Trim Panels	Interior Trim Area (Image #2)	U
18	Quarter Pillar Trims		W

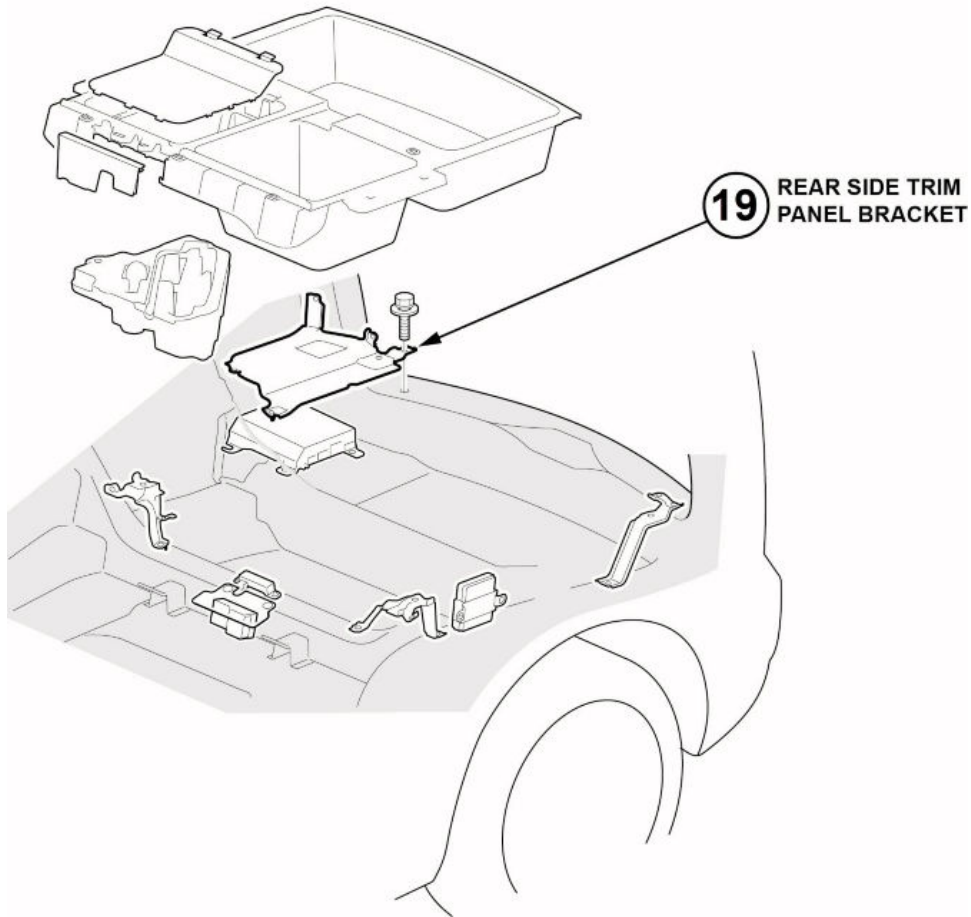
**NOTE**

Do steps 17 and 18 for both sides.





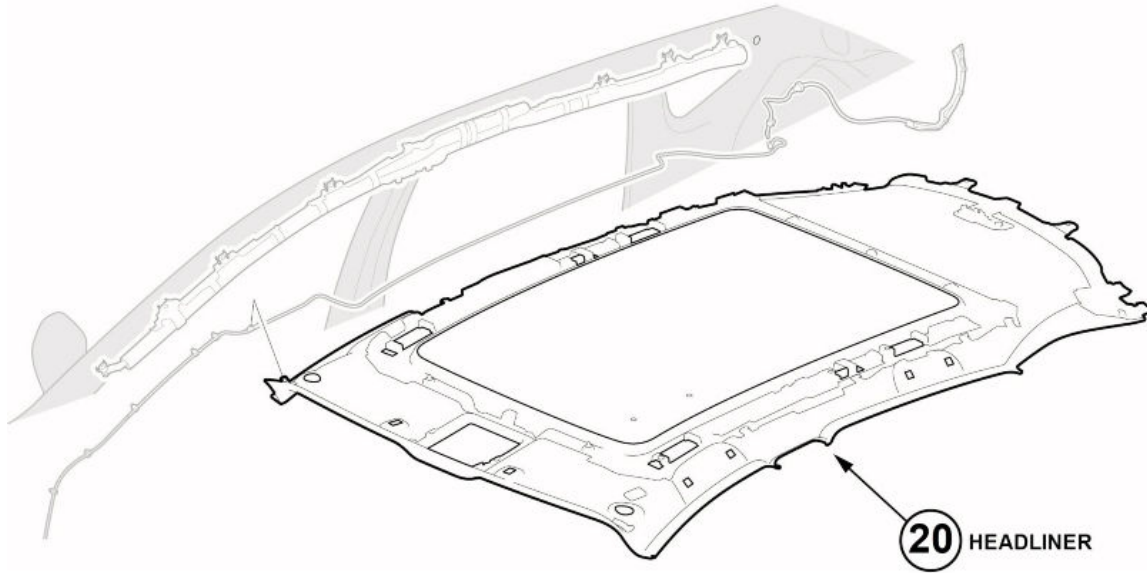
Step	Component	Exploded View Location	Service Manual Letter Reference
19	Rear Side Trim Panel Bracket	Interior Trim Area	Not Available



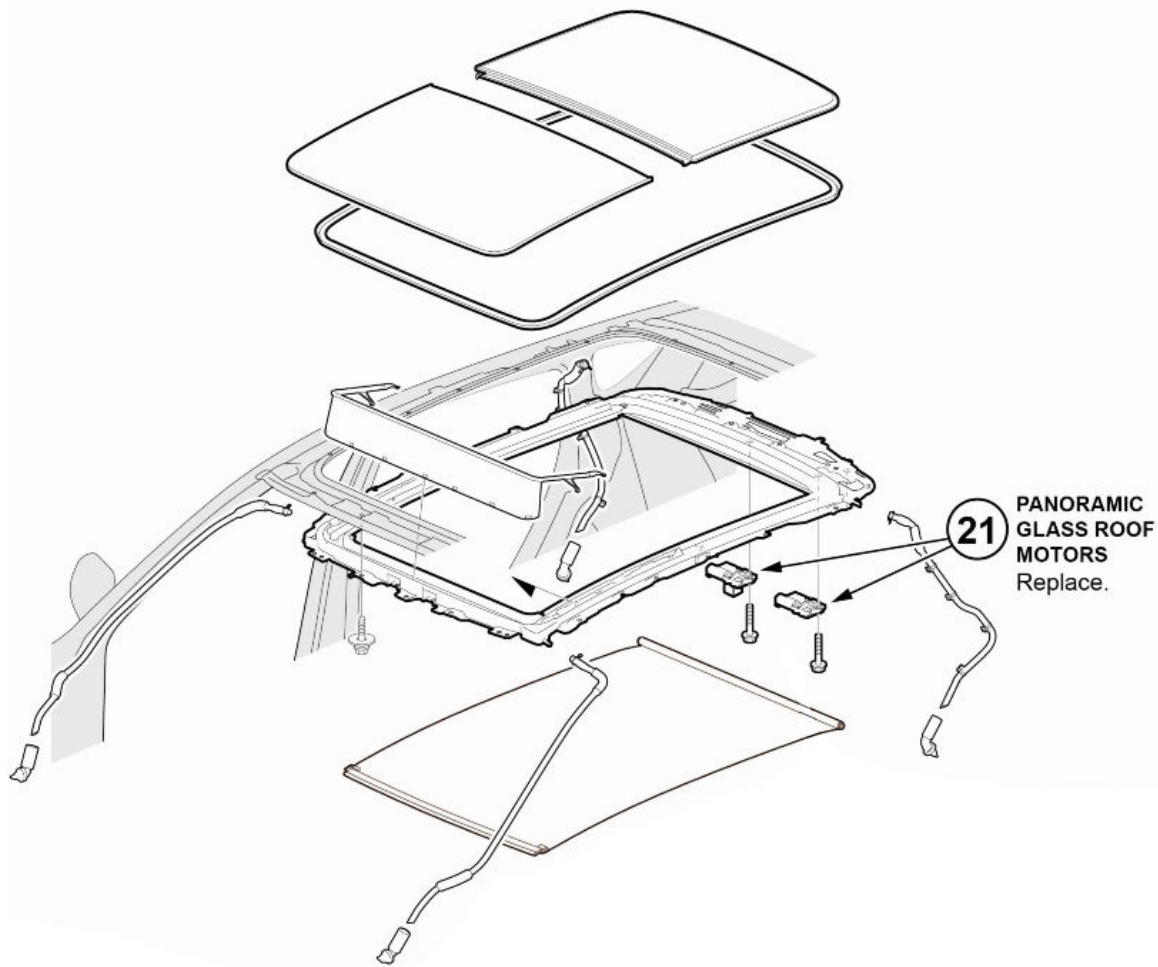
Step	Component	Exploded View Location	Service Manual Letter Reference
20	Headliner	Headliner Area (Image #1)	J

**NOTE**

Drop down the headliner, but do not remove it from the vehicle.



Step	Component	Exploded View Location	Service Manual Letter Reference
21	Panoramic Glass Roof Motors	Panoramic Glass Roof Area	F



- To avoid creasing the headliner, lower the entire headliner (not just the back edge) to gain access, and replace the panoramic glass roof motors.
- Install all components in the reverse order of removal, and follow all bolt torque specifications in the service manual.
  - Replace these must-replace parts according to the service manual:
    - A-Pillar Trim Clips
    - Quarter Pillar Trim Clips
  - Do the Panoramic Glass Roof Motor-Control Unit Resetting Procedure. See the service manual.

NOTICE

When the panoramic glass roof motors are replaced, the motor positions are not learned. **Do not** open the glass to the full open position as this will damage the panoramic glass roof frame and potentially the roof body.

END