



## GR/GU ABS valve bracket installed incorrectly

**Description:**

136 GR/GU trucks were built with an ABS valve bracket installed incorrectly, p/n 22681742.

This bracket was installed upside down, allowing the attached valves to in some cases make contact with the lower radiator hose.

**Corrective Action:**

To correct this condition, the bracket needs to be removed and reinstalled in the correct orientation. (see attached photo/diagram)

**UCHP SCC CODE:** S7455

**EXPIRATION DATE:** 2/28/2021

**CAUSAL PART NUMBER:** 22681742

**UCHP Labor Code:**

5635-03-02-02 – ABS Modulator Valve Bracket, Replacement (Steer Axle) – 0.6

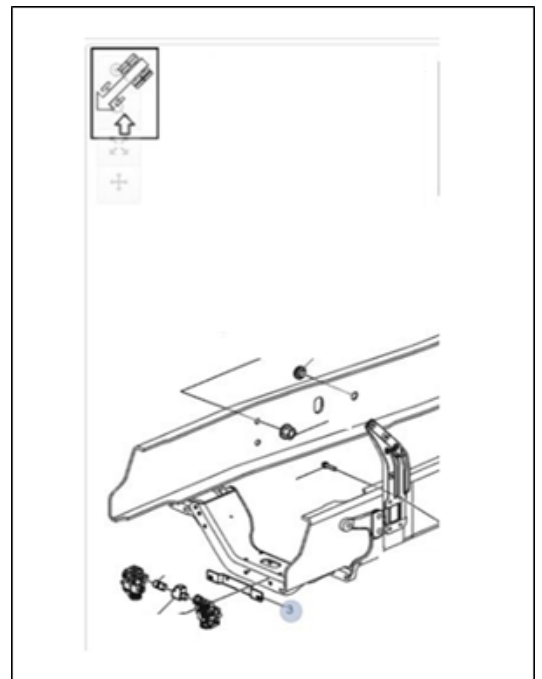
**PARTS MARKUP:** 30%

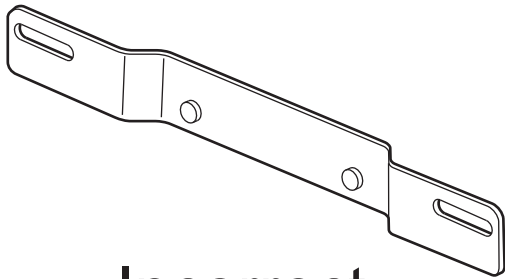
**PARTS LIST:**

None Required

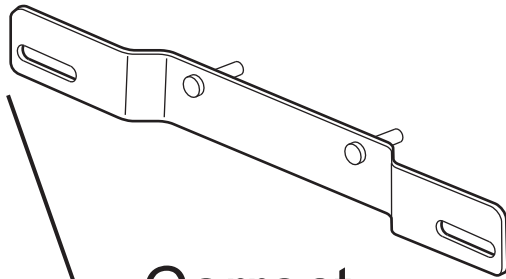
**FOR MORE INFORMATION CONTACT:** Michael Moriarty

[michael.moriarty@volvo.com](mailto:michael.moriarty@volvo.com)





Incorrect



Correct

