



# Ferrari North America Technical Information

Date: February 2020  
Bulletin #: 2631  
Campaign #:  
Supersedes:  
Section: 10

**Subject:** New “Filter by VIN” function in Workshop Manual

Please note that in parallel with the release of the ninth 2019 update of the **Technical Documentation**, the new “**Filter by VIN**” function has also been introduced to the **Workshop Manual** for filtering the spare part numbers suggested by the system during usage of the online documentation. The new function is applicable for the models listed below and for all future models:

- Portofino
- 488 Pista
- 488 Pista Spider
- F8 Tributo
- Monza SP1
- Monza SP2

## “Filter by VIN” function

The Workshop Manual can now provide the user with the specific **Part Numbers** of the spare parts necessary for an operation for an individual **VIN** number. This means that the user is certain of ordering the correct spare parts for the **specific VIN** they are working on.

The filter may be used with the following two different methods:

### 1. From the main menu of the Online Technical Documentation – Fig.1.

- Access the Online Technical Documentation and press the **VIN** button (A);
- Enter the VIN of the vehicle in the relative box and press “**Search**” (B);
- Now press “**Go to Documentation**” (C).

Choose a Model

8 CYLINDERS 12 CYLINDERS **VIN** SPECIFIC TOOLS OTHER SECTIONS

Available only for the following models:  
F8 Tributo | Monza SP2 | Monza SP1 | 488 Pista Spider | 488 Pista | Portofino | 812superfast | GTC4Lusso T | LaFerrari Aperta | GTC4Lusso | F12tdf | 488 Spider | 488 GTB | 458 Speciale A |

**IMPORTANT!** In case of Extracampionario (off-catalogue) options on vehicle or multiple results for a single code, open a PHD ticket to request the correct code to be ordered.

Vehicle Identification Number: 241038 **Search**

Portofino - Europe

Serial No.: 241038  
Vehicle: 764843000  
VIN: ZFF89FPB000241038  
Assembly No.: 0  
Engine (type/number): F 154 BE / 0  
Gearbox (type/number): ./0  
External Trim: ARGENTO NURBURGRING 101/C  
Internal Trim: CIOCCOLATO  
Mats: NERO 152 (BLACK)

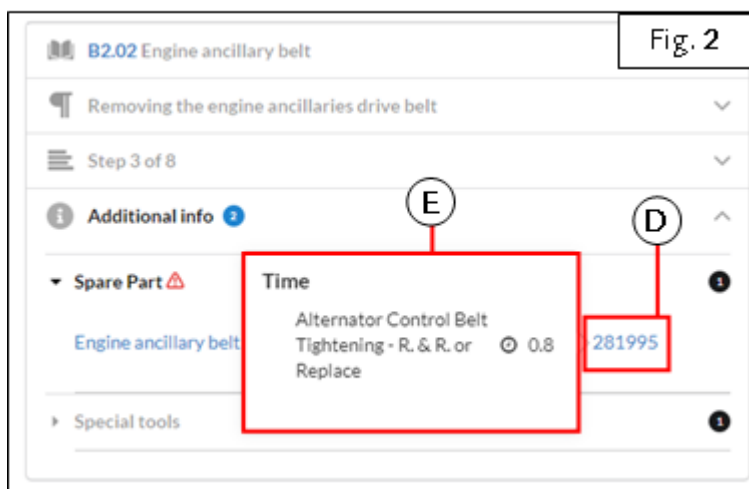
**Go to Documentation**

Fig. 1




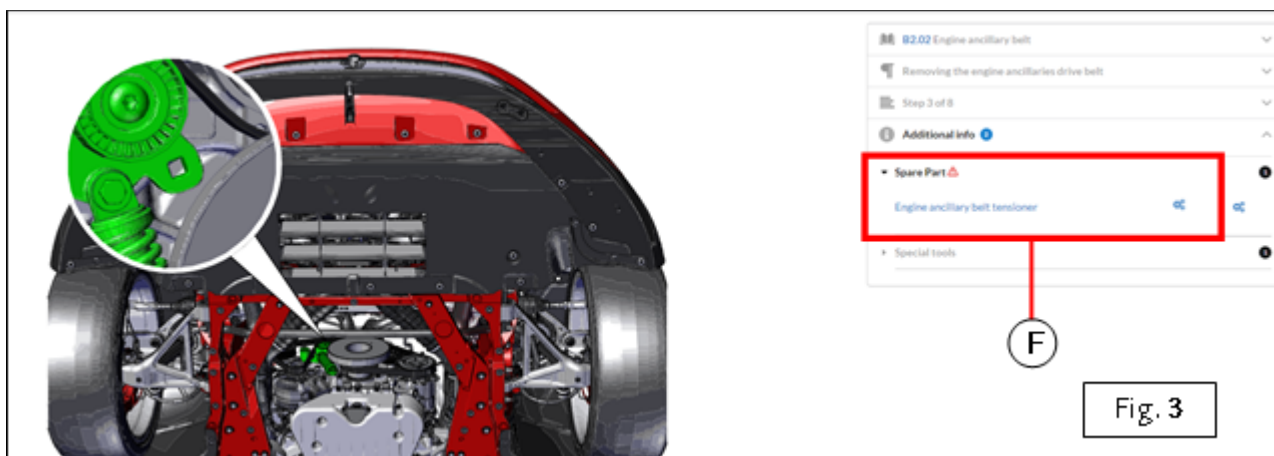
# Ferrari North America

- Go to the workshop manual and open a procedure;
- Click “**Additional Info**” and then “**Spare Part**” where applicable in the workshop manual;
- The specific **Part Number** of the spare part necessary to carry out the procedure for the VIN number of the vehicle in question is displayed (D). Additionally, moving the mouse over the **Part Number** opens a pop-up indicating the time necessary to perform the procedure (E) – Fig. 2.



## 2. Directly from the Workshop Manual – Fig.3.

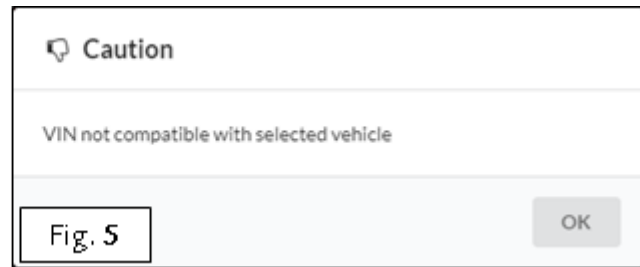
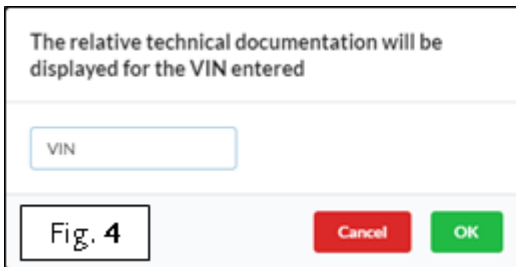
- Open a procedure in the Workshop Manual;
- For steps in the procedure where necessary, click “**Additional Info**” and then “**Spare Part**”;
- Press the button  side the box (F);



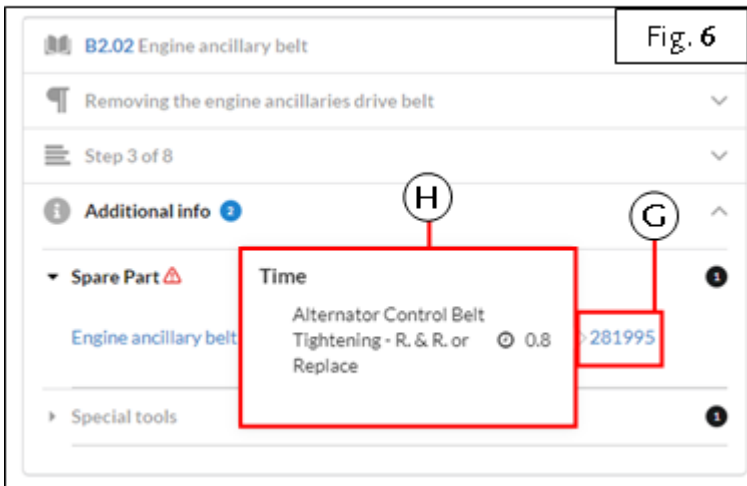


# Ferrari North America

- A dialogue box opens: enter the last six digits of the **VIN** of the vehicle in question and press “OK” (Fig.4).
- If the **VIN** entered is not compatible with the model currently viewed in the Workshop Manual, an error message is displayed (Fig. 5).



- If the **VIN** entered is compatible with the selected vehicle, the specific **Part Number** of the spare part necessary to carry out the procedure for the serial number of the vehicle is displayed (**G**). Additionally, moving the mouse over the **Part Number** opens a pop-up indicating the time necessary to perform the procedure (**H**) – Fig. 6.



Thank you for your co-operation.