

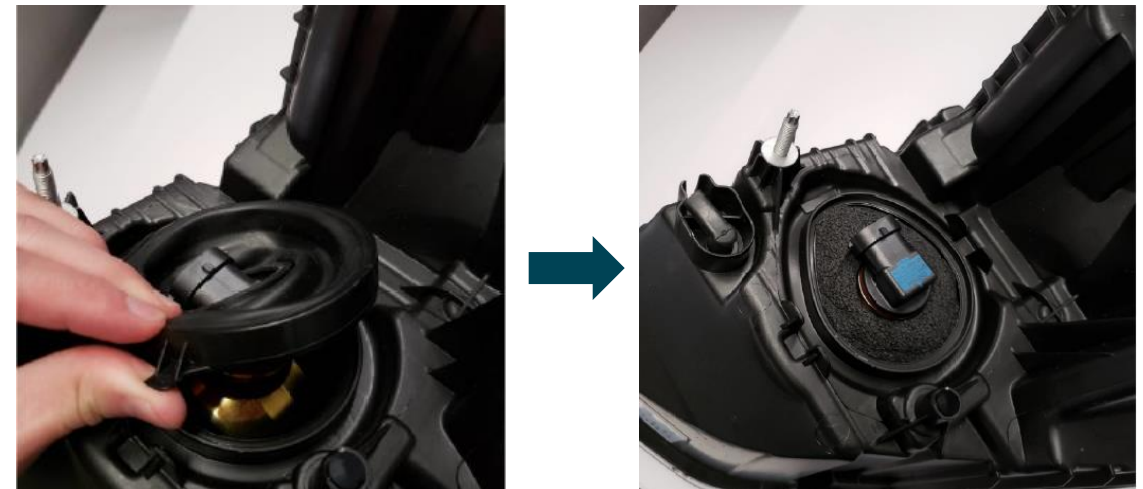
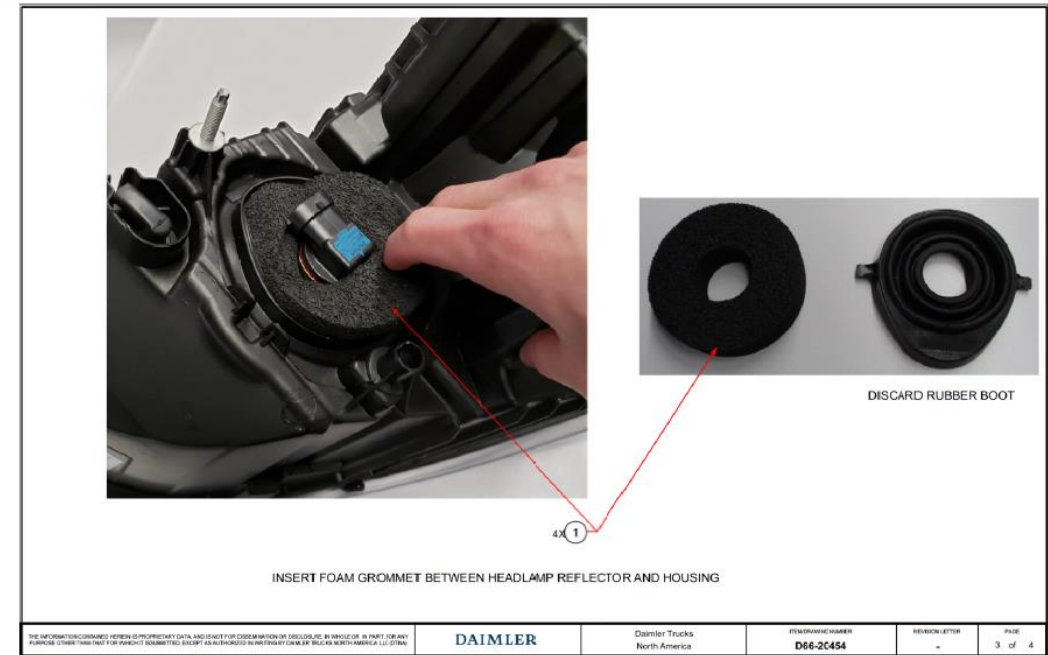
P4 Halogen Headlamp – Production Changes

Foam Grommet

- Replaces the ‘boot’ around each bulb
- Two in each headlamp (four per vehicle)
- Part number: 66-19944-000

STATUS:

- Grommets have been installed, in production, since 12/3/2019 at Cleveland, and 12/11/2019 at Saltillo
Originally done under deviation (ref. release P16CAB-B8)



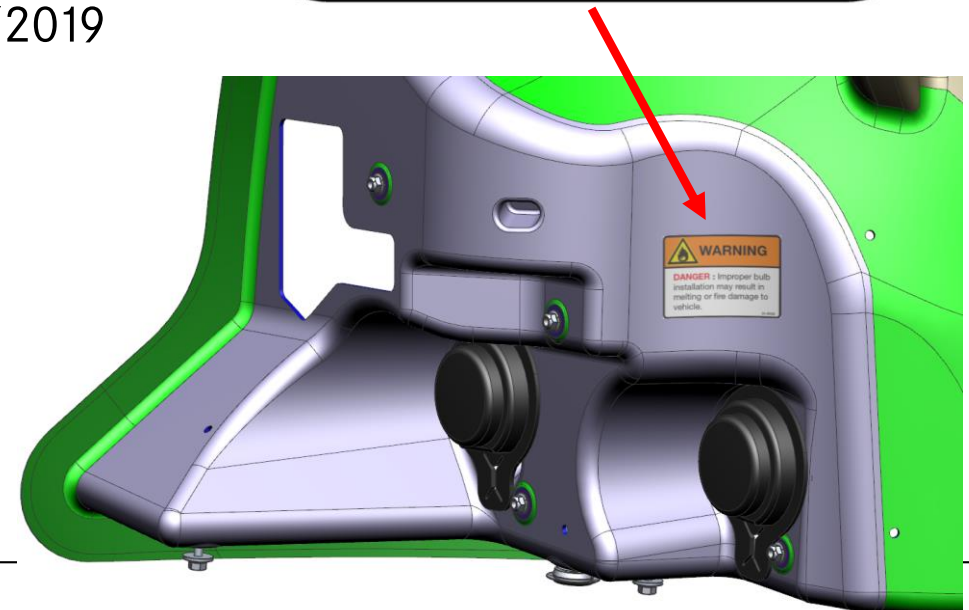
P4 Halogen Headlamp – Production Changes

Warning label

- Installed on the under side of hood, near bulb access covers
- One on each side of the hood
- Part number: 24-02029-000

STATUS:

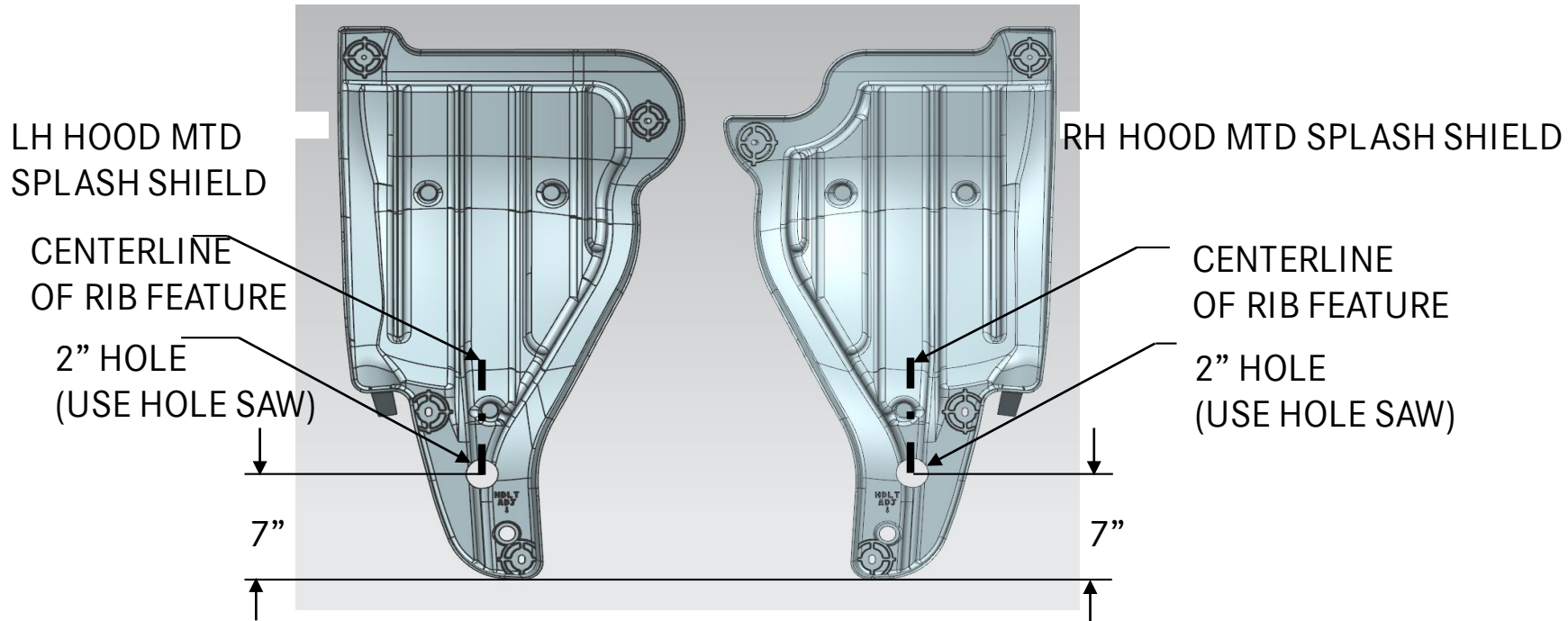
- Labels have been installed, in production, since 10/21/2019
NOTE: Initially installed under deviation; official production changeover 1/13/2020 (ref. EWR P5958)



P4 Halogen Headlamp – Production Changes

Trim splash shield to improve access without removal

- Cut access hole – field solution



RH HOOD MTD
SPLASH SHIELD
SHOWN

STATUS:

- Production change scheduled for 3/23/2020 (ref. EWR P59939)