



# Quick tip

Version 1.0

February 11th, 2020

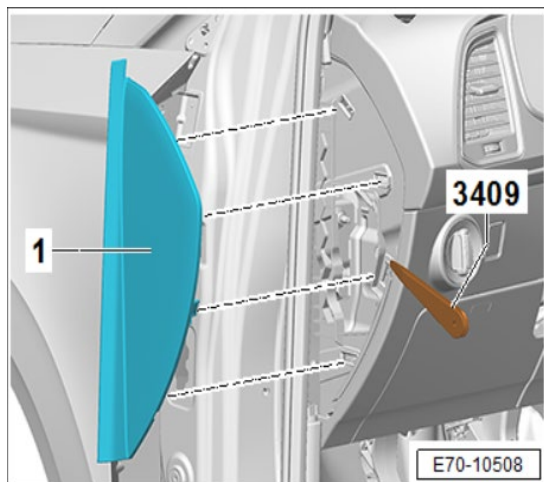
Title: Extended range add on.

(Only applies to 2019 Tiguan LWB, Jetta, GLI built after CW36/18, Atlas built after CW42/2018, 2020 Arteon)



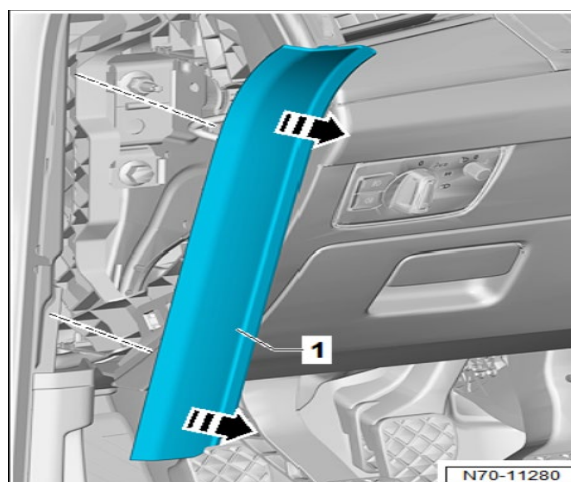
Extended range kit part number: 000065760

*“Always install the product according to the manufacturer’s instructions. Modifications to the vehicle or accessory, or improper installation of the accessory can result in damage or failure.”*



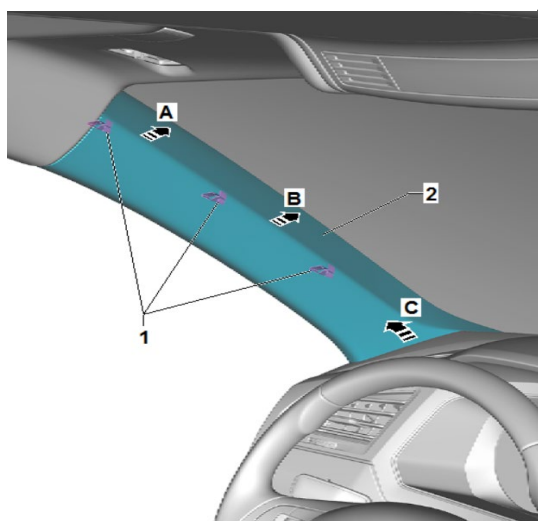
### Step 1:

- Bend the door seal molding outward in the instrument panel cover area.
- Pry out the instrument panel side cover -1- with the -3409- near the catches.
- Pull the cover toward the rear and remove it.



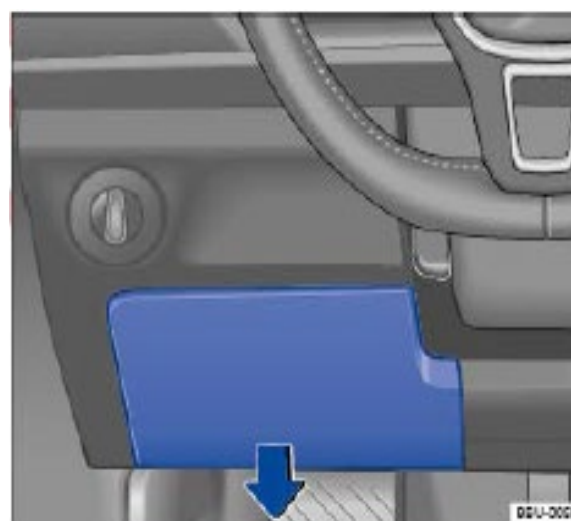
### Step 2:

- Unclip the A-pillar gap cover -1- from the A-pillar upper trim panel and A-pillar lower trim panel -arrows-.
- Loosen the A-pillar gap cover -1- from the door seal molding and remove it upward.



### Step 3:

- Remove the A-pillar upper trim panel
- **Note:** Inspect and replace the fasteners if necessary, part numbers 5NA867276B (x2) and 5G0867276A (x1).



### Step 4:

- Remove fuse panel cover.



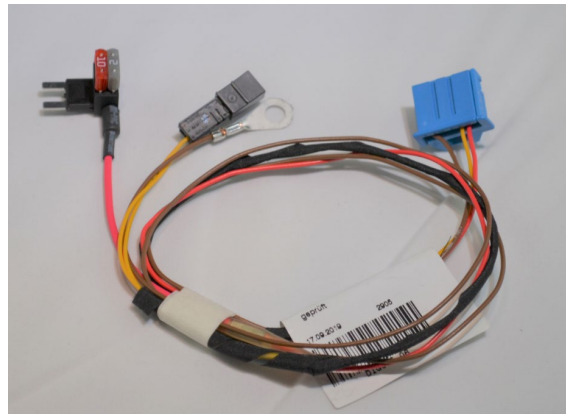
### Original design harness



#### Step 5a:

- Insert red wire into the fuse holder.
- Insert black/red wire into fuse holder.
- Insert the 2-amp fuse into the fuse holder.

### New design harness



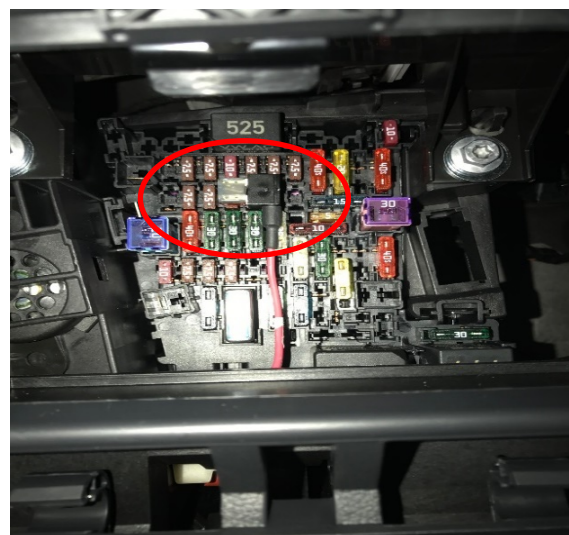
#### Step 5b:

- No harness preparation is required.



#### Step 6a:

- Mount the fuse holder to the bracket on the side of the relay panel.



#### Step 6b:

- Insert fuse holder into location SC20, SC7 or SC8 can be used if there is a fuse larger than 10 amp already in location SC20.

*“Always install the product according to the manufacturer's instructions. Modifications to the vehicle or accessory, or improper installation of the accessory can result in damage or failure.”*



### Step 7a:

- Insert the power wire in any open location shown above.

Original and new design harness



### Step 8:

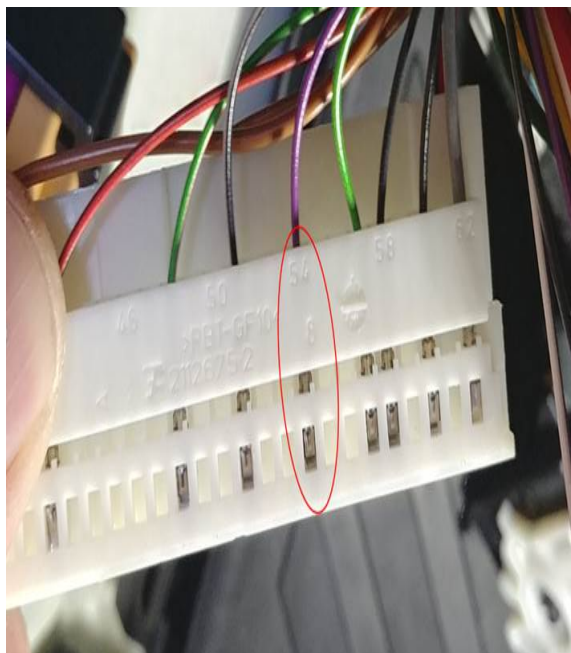
- Use a cable tie and secure the module at the base of A-pillar.



### Step 9:

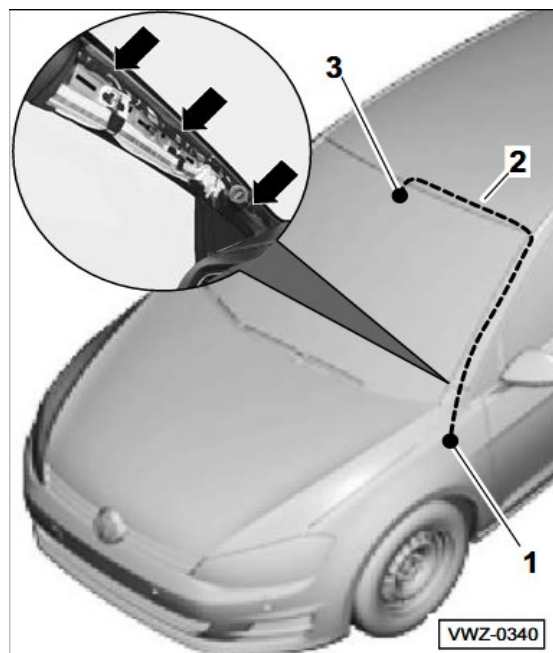
- Route ground wire behind lower A-pillar trim and connect to the chassis ground location under the carpet near the base of A-pillar.

*“Always install the product according to the manufacturer's instructions. Modifications to the vehicle or accessory, or improper installation of the accessory can result in damage or failure.”*



#### Step 10:

- On white BCM connector, insert line wire from kit into location 54.
- **Note:** If there is already a wire in this location use the provided splice connector.



#### Step 11:

- Route the antenna cable (supplied in the kit) -2- vertically on the left hand side of the mirror mount up to the headliner.
- Tuck the cable behind the headliner and down the "A" pillar and connect it to the module.
- Use the small wire ties -arrows- to secure the cable to the factory harness located within the "A" pillar.

*"Always install the product according to the manufacturer's instructions. Modifications to the vehicle or accessory, or improper installation of the accessory can result in damage or failure."*

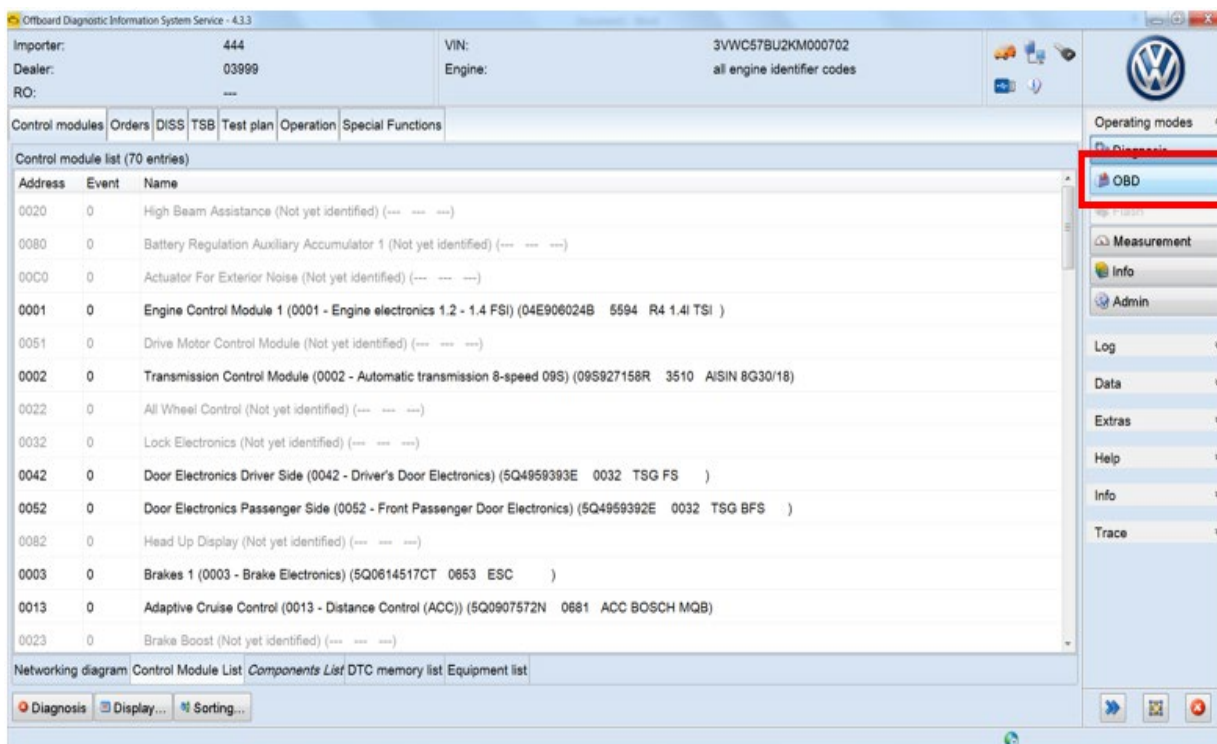


## Step 12:

- Reinstall all trim panels and the BCM connector that was previously removed.

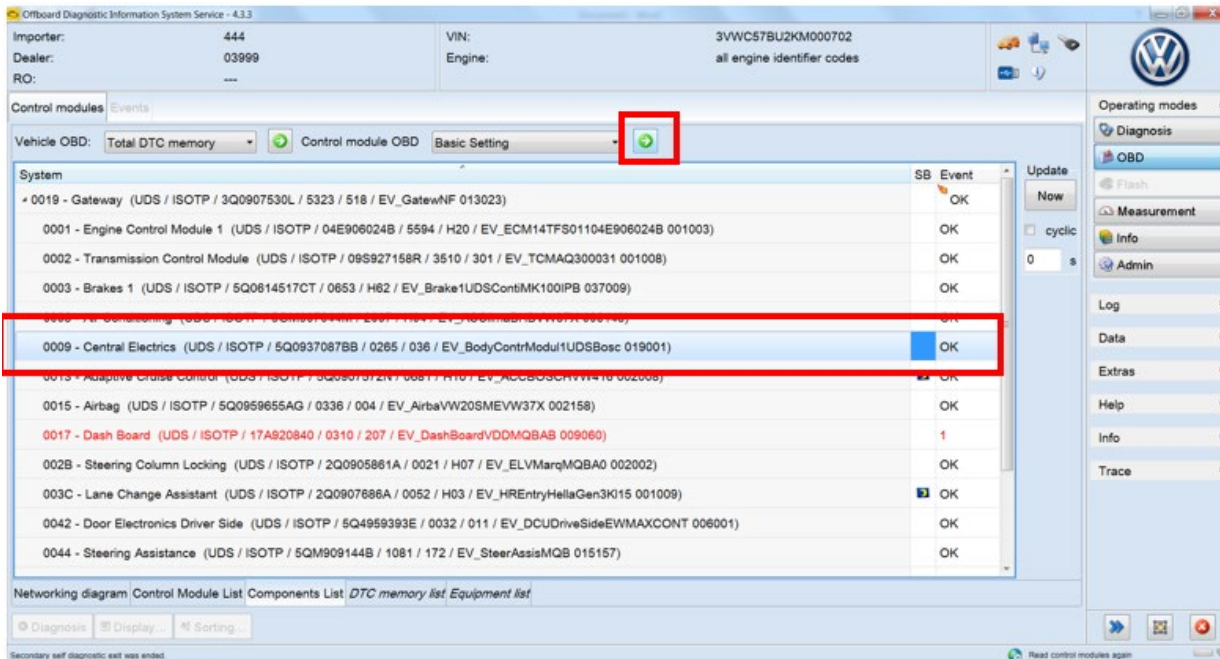
## Step 13:

- Connect battery charger/maintainer.
- Connect scan tool.
- Scan the vehicle using GFF.
- Select Special Functions / Adapting software.
- Select Adapting Software and Option 2. Enter SVM code 425D to update BCM.



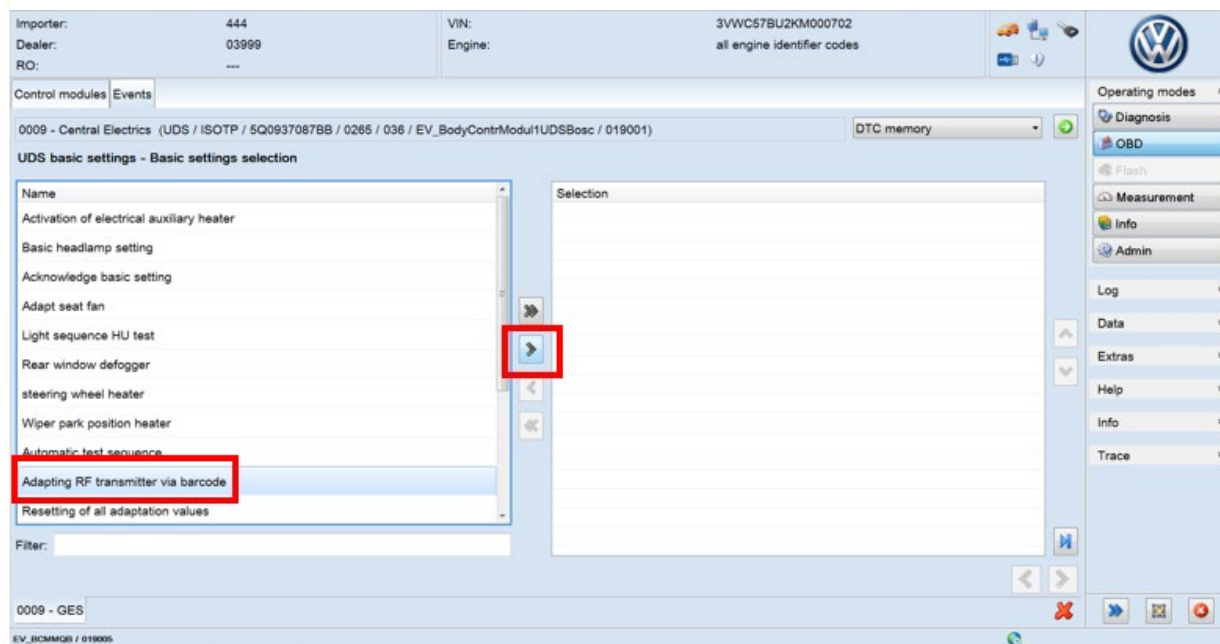
## Step 14:

- Select "OBD."



### Step 15:

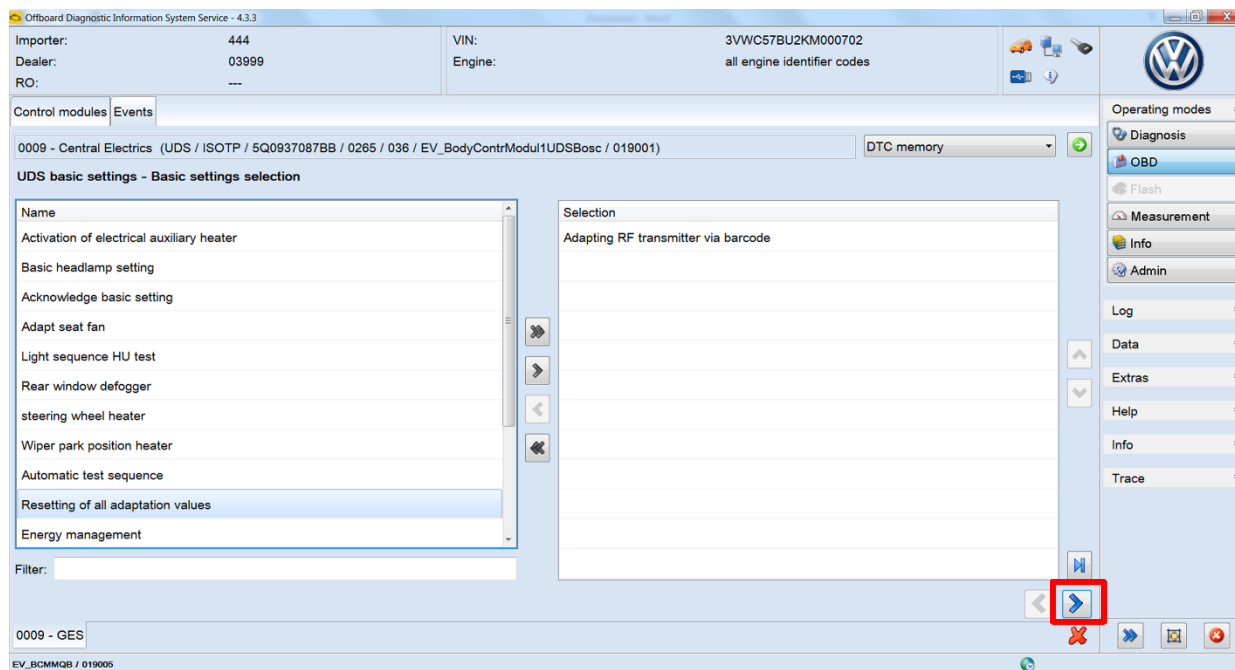
- Select “0009 – Central Electrics” basic settings, then select “green arrow.”



### Step 16:

- Select “adapting RF transmitter via barcode” then select the “arrow.”

“Always install the product according to the manufacturer’s instructions. Modifications to the vehicle or accessory, or improper installation of the accessory can result in damage or failure.”

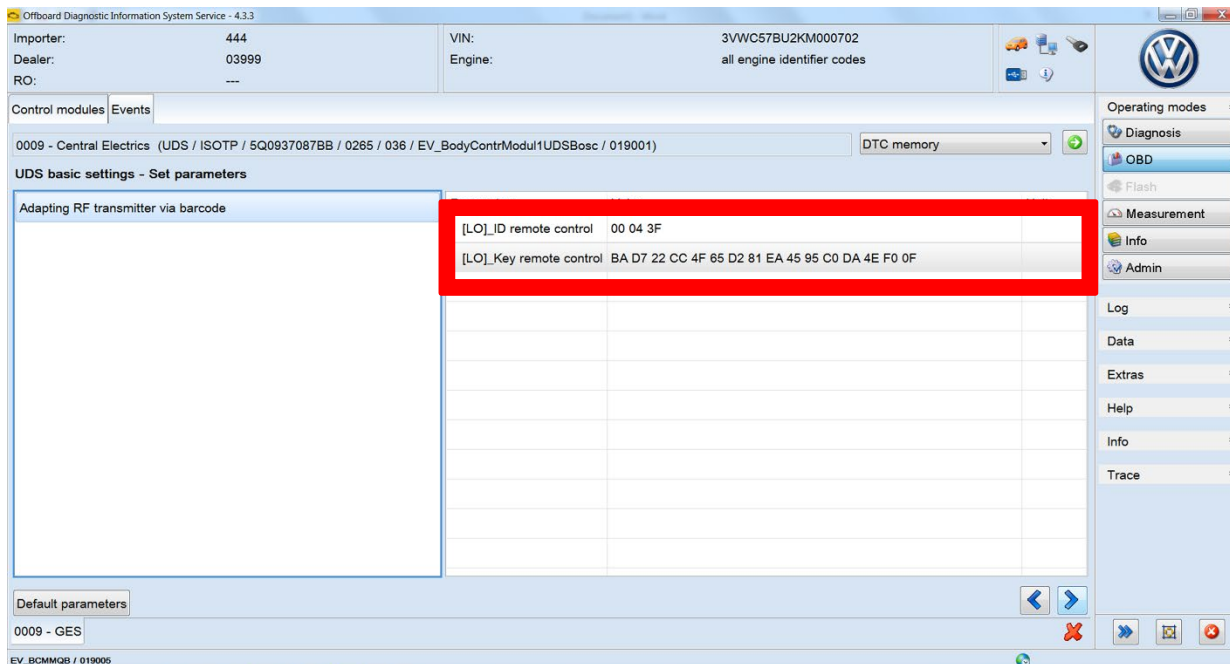


### Step 17:

- Select the “next arrow.”

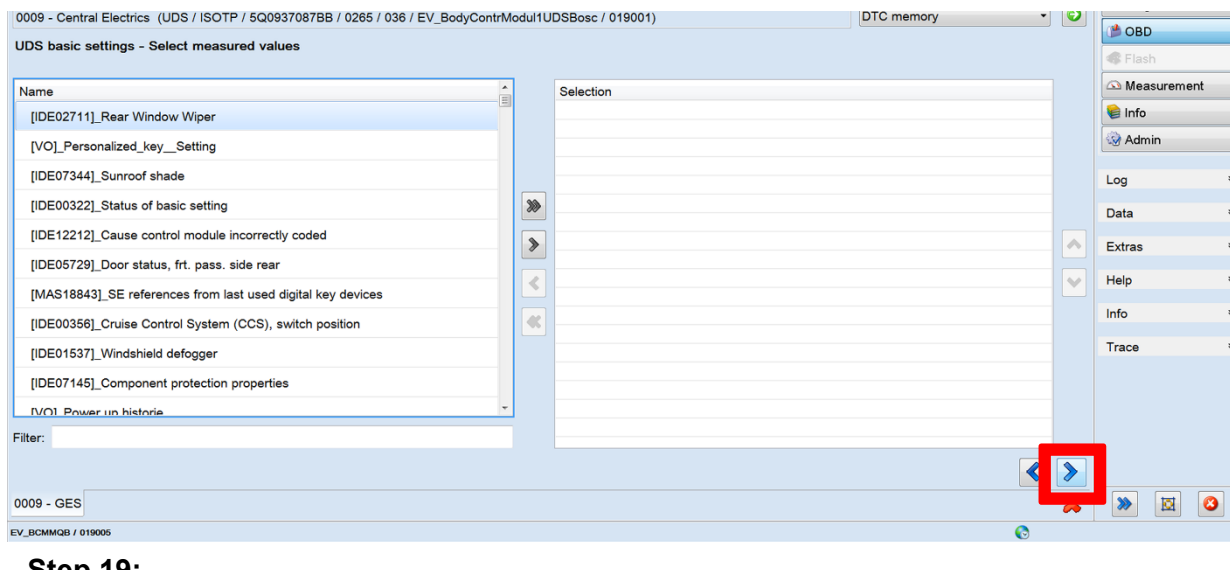
*“Always install the product according to the manufacturer's instructions. Modifications to the vehicle or accessory, or improper installation of the accessory can result in damage or failure.”*





### Step 18:

- Enter the RF ID (HEX) and Private key (HEX) either manually with the keyboard or scan the QR code with a scanner.



### Step 19:

- Select the “next arrow.”



Offboard Diagnostic Information System Service - 4.3.3

Importer: 444      VIN: 3VWC57BU2KM000702  
Dealer: 03999      Engine: all engine identifier codes  
RO: ---

Control modules    Events

0009 - Central Electrics (UDS / ISOTP / 5Q0937087BB / 0265 / 036 / EV\_BodyContrModul1UDSBosc / 019001)    DTC memory

UDS basic settings - Status: not active

Basic settings

Name	RDID	Status	Result	Value
[IDE06652] Adapting RF transmitter via barcode	\$0481	[VO]_Routine not active or finishe...	[VO]_No Results Available	

Measured values

Name	RDID	Value

Start    Next    Stop    Stop all

EV\_BCMQB / 019005

### Step 20:

- Select "Start."

*"Always install the product according to the manufacturer's instructions. Modifications to the vehicle or accessory, or improper installation of the accessory can result in damage or failure."*



### Step 21:

- After selecting “Start,” the result field should change to “[VO] Correct-Results” for a couple seconds. The process is completed.

### Step 22:

- To test the operation, close all doors and lock the vehicle, Press the “Info” button once, then press the “Start” button twice on the new transmitter.

### Step 23:

- Place the sticker with the RF ID (HEX) and Private key (HEX) on the extended range owner’s manual document. Place the document in the glove box with the owner’s manual.

*“Always install the product according to the manufacturer’s instructions. Modifications to the vehicle or accessory, or improper installation of the accessory can result in damage or failure.”*