

# Blind Spot Monitor DTC C1AC1 or C1AC2

**Service Category** Audio/Visual/Telematics

**Section** Park Assist/Monitoring

**Market** USA

Toyota Supports  
ASE Certification 

## Applicability

| YEAR(S) | MODEL(S) | ADDITIONAL INFORMATION |
|---------|----------|------------------------|
| 2019    | Tacoma   |                        |

## Introduction

Some 2019 model year Tacoma vehicles may exhibit a Blind Spot Monitor System warning message with any of the following Diagnostic Trouble Codes (DTCs) present.

- C1AC1 – Master Module Horizontal Axis Misalignment
- C1AC2 – Slave Module Horizontal Axis Misalignment

Follow the Repair Procedure in this bulletin to address this condition.

## Blind Spot Monitor DTC C1AC1 or C1AC2

### Production Change Information

This bulletin applies to vehicles produced **BEFORE** the Production Change Effective VINs shown below.

| MODEL  | PLANT             | DRIVETRAIN        | ENGINE            | PRODUCTION CHANGE EFFECTIVE VIN |
|--------|-------------------|-------------------|-------------------|---------------------------------|
| Tacoma | TMMTX             | 2WD               | 2TR               | 5TFRX5GN#KX163329               |
|        |                   |                   |                   | 5TFAX5GN#KX163330               |
|        |                   |                   | 2GR               | 5TFAZ5CN#KX087107               |
|        |                   |                   |                   | 5TFBZ5DN#KX004926               |
|        |                   |                   | 5TFEZ5CN#KX087126 |                                 |
|        |                   |                   | 5TFRZ5CN#KX087102 |                                 |
|        |                   | 4WD               | 2TR               | 5TFSX5EN#KX070691               |
|        |                   |                   | 2GR               | 5TFCZ5AN#KX210055               |
|        | 5TFSZ5AN#KX210060 |                   |                   |                                 |
|        | 5TFDZ5BN#KX046408 |                   |                   |                                 |
|        | 5TFGZ5AN#KX210201 |                   |                   |                                 |
|        | TMMBC             | 2WD               | 2GR               | 3TMAZ5CN#KM113871               |
|        |                   |                   |                   | 3TMBZ5DN#KM023284               |
|        |                   | 4WD               |                   | 3TMEZ5CN#LM114685               |
|        |                   |                   |                   | 3TMCZ5AN#KM285777               |
|        |                   | 3TMGZ5AN#KM285795 |                   |                                 |
|        | 3TMDZ5BN#KM079287 |                   |                   |                                 |

**NOTE**

The plant is determined by the 11<sup>th</sup> letter of the production change effective VIN. (Ex. X=TMMTX M=TMMBC)

## Blind Spot Monitor DTC C1AC1 or C1AC2

### Warranty Information

| OP Code | DESCRIPTION                             | TIME | OFF         | T1 | T2 |
|---------|---|------|-------------|----|----|
| EL1921  | Replace Blind Spot Monitor (Both Sides) | 3.0  | 88162-04014 | 8B | 74 |

#### APPLICABLE WARRANTY

- This repair is covered under the Toyota Basic Warranty. This warranty is in effect for 36 months or 36,000 miles, whichever occurs first, from the vehicle's in-service date.
- Warranty application is limited to occurrence of the specified condition described in this bulletin.

### Parts Information

| PART NUMBER |             | PART NAME                  | QTY |
|-------------|-------------|----------------------------|-----|
| PREVIOUS    | NEW         |                            |     |
| 88162-04014 | 88162-04015 | Sensor, Blind Spot Monitor | 2   |

### Required Tools & Equipment

| SPECIAL SERVICE TOOLS (SST)      | PART NUMBER                    | QTY |
|----------------------------------|--------------------------------|-----|
| Laser Radar Adjusting Reflector* | <a href="#">09870-60000</a>    | 1   |
| Reflector C*                     | <a href="#">09870-60040-02</a> | 1   |

\*Essential SST.

#### NOTE

Additional SSTs may be ordered by calling 1-800-933-8335.

| REQUIRED EQUIPMENT            | SUPPLIER | PART NUMBER  | QTY |
|-------------------------------|----------|--------------|-----|
| Techstream ADVi*              | ADE      | TSADVUNIT    | 1   |
| Techstream 2.0                |          | TS2UNIT      |     |
| Techstream Lite               |          | TSLITEPDLR01 |     |
| Techstream Lite (Green Cable) |          | TSLP2DLR01   |     |

\*Essential SST.

#### NOTE

- ONLY ONE of the Techstream units listed above is required.
- Software version 14.20.019 or later is required.
- Additional Techstream units may be ordered by calling Approved Dealer Equipment (ADE) at 1-800-368-6787.

## Blind Spot Monitor DTC C1AC1 or C1AC2

### Repair Procedure

1. Using Techstream, check for the following stored DTCs.
  - C1AC1 – Master Module Horizontal Axis Misalignment
  - C1AC2 – Slave Module Horizontal Axis Misalignment

Are ANY of the DTCs listed above present?

- **YES** — Continue to step 2.
- **NO** — This bulletin does NOT apply. Continue diagnosis using the applicable Repair Manual.

2. Remove the rear bumper assembly.

Refer to TIS, applicable model and model year Repair Manual:

- 2019 Tacoma:  
*Vehicle Exterior – Exterior Panels/Trim* – “Exterior: Rear Bumper ([w/ Towing Package](#)) / ([w/o Towing Package](#)): Removal”

3. Replace both Blind Spot Monitor sensors.

- A. Remove the blind spot monitor sensors.

Refer to TIS, applicable model and model year Repair Manual:

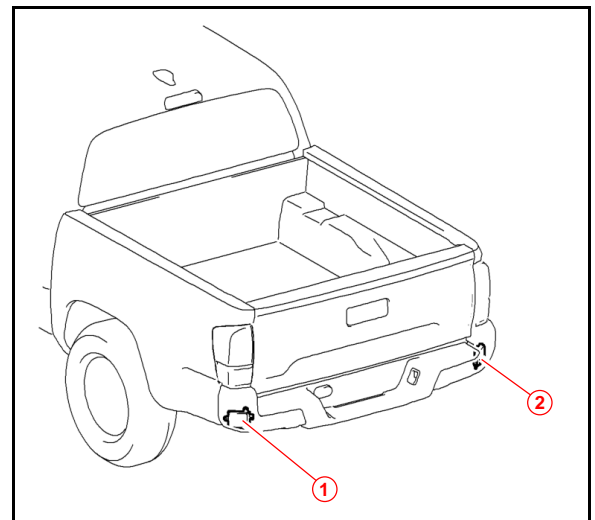
- 2019 Tacoma:  
*Audio/Visual/Telematics – Park Assist/Monitoring* – “[Park Assist/Monitoring: Blind Spot Monitor Sensor: Removal](#)”

- B. Install the NEW Blind Spot Monitor sensors with the three nuts.

**NOTE**

Torque nuts to 9.0 N\*m  
(92 kgf\*cm, 80 in\*lb)

**Figure 1.**



|   |                                       |
|---|---------------------------------------|
| 1 | Blind Spot Monitor Sensor LH (Master) |
| 2 | Blind Spot Monitor Sensor RH (Slave)  |

## Blind Spot Monitor DTC C1AC1 or C1AC2

---

### Repair Procedure (continued)

4. Temporarily install the bumper onto the vehicle.

**HINT**

The bumper MUST be installed without extension housings covering the Blind Spot Monitor sensor. This will allow completion of the blind spot monitor installation condition inspection section of the operation check.

Refer to TIS, applicable model and model year Repair Manual:

- 2019 Tacoma:  
*Vehicle Exterior – Exterior Panels/Trim* – “Exterior: Rear Bumper  
[\(w/ Towing Package\)](#) / [\(w/o Towing Package\)](#): Installation”

5. Perform the Blind Spot Monitor System Operation Check.

Refer to TIS, applicable model and model year Repair Manual:

- 2019 Tacoma:  
*Audio/Visual/Telematics – Park Assist/Monitoring* – “[Park Assist / Monitoring: Blind Spot Monitor System: Operation Check](#)”

6. Remove the rear bumper assembly.

Refer to TIS, applicable model and model year Repair Manual:

- 2019 Tacoma:  
*Vehicle Exterior – Exterior Panels/Trim* – “Exterior: Rear Bumper  
[\(w/ Towing Package\)](#) / [\(w/o Towing Package\)](#): Removal”

7. Reassemble the rear bumper assembly.

Refer to TIS, applicable model and model year Repair Manual:

- 2019 Tacoma:  
*Vehicle Exterior – Exterior Panels/Trim* – “Exterior: Rear Bumper  
[\(w/ Towing Package\)](#) / [\(w/o Towing Package\)](#): Reassembly”

8. Install the bumper onto the vehicle.

Refer to TIS, applicable model and model year Repair Manual:

- 2019 Tacoma:  
*Vehicle Exterior – Exterior Panels/Trim* – “Exterior: Rear Bumper  
[\(w/ Towing Package\)](#) / [\(w/o Towing Package\)](#): Installation”

9. Clear ANY DTCs with Techstream.

10. Confirm proper operation of the Blind Spot Monitor system.