

Symptom in Vehicle Interior - Clicking Noises During Outgoing Call When Seat Heating is Active: Reworking Wire Harness (SY 117/19)

Model Line: **Cayenne (9YA)**

Model Year: **As of 2019**

Subject: **Connect control unit**

Symptom: When seat heating is active and you make a call, the person you are calling hears clicking noises.

Cause: The shared ground supply of the Connect control unit and front-end electronics control unit can cause interference.

Remedial Action: Rework wire harness and install additional ground line for Gateway control unit and Connect control unit.

Required spare parts and tools

Parts Required:	Part No.	Designation	Qty.
	9Y0971354	- Use ⇒ Ground line	1

Required tools: • **VAS 1978/35-20 - Release Tool Set**

Preparatory work



Information

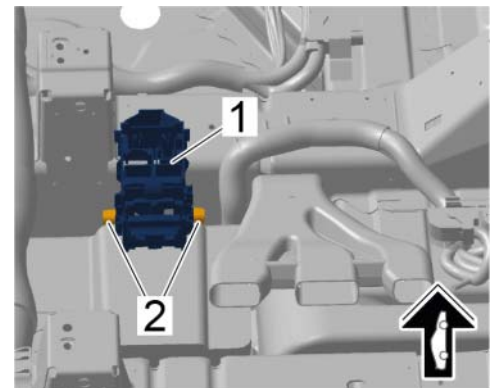
Before removing the Gateway control unit and Connect control unit, the Porsche Vehicle Tracking System (PVTs) must be set to **Vehicle Servicing mode**.

Vehicle Servicing mode can only be set by the **customer** using Car Connect.

- Work Procedure: 1 Remove left front seat, see ⇒ *Workshop Manual '720119 Removing and installing front seat'*.
- 2 Loosen battery ground strap, see ⇒ *Workshop Manual '2X00IN Work instructions after disconnecting the battery'*.
- 3 Detach side trim panel on lower part of center console at the left from the front until the joint in the carpet is accessible, see ⇒ *Workshop Manual '68141903 Removing and installing side trim panel on lower part of centre console'*.
- 4 Remove door entry guard on driver's side, see ⇒ *Workshop Manual '680519 Removing and installing inner door sill trim'*.

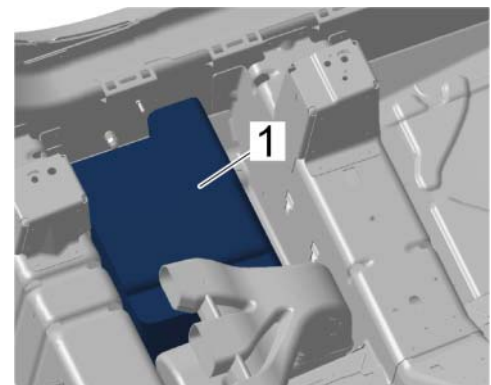
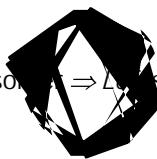
Reworking wire harness

- Work Procedure: 1 Fold the carpet forward.
- 2 Unclip line bracket ⇒ *Line bracket-1*- at positions ⇒ *Line bracket-2*- and move it aside.



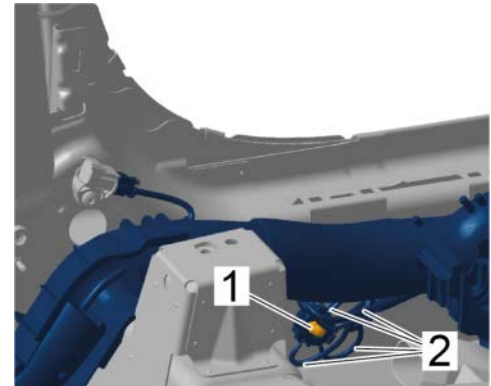
Line bracket

- 3 Remove left sound absorber ⇒ *Left sound absorber -1-*.



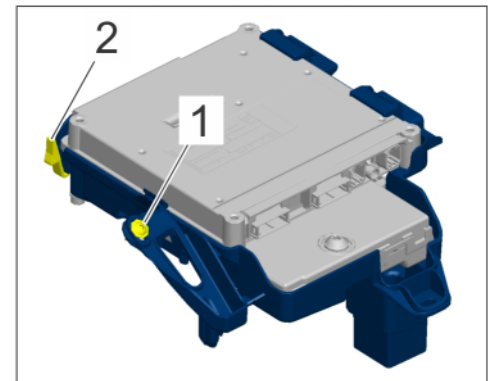
Left sound absorber

- 4 Secure new ground line to ground point on B-pillar.
 - 4.1 Screw off nut ⇒ *Nut for ground point on B-pillar -1-*.
 - 4.2 Insert ring eyelet of the new ground line into unused connection.
 - 4.3 Fit nut and tighten to **Tightening torque 9 Nm (6.5 ftlb.)** .



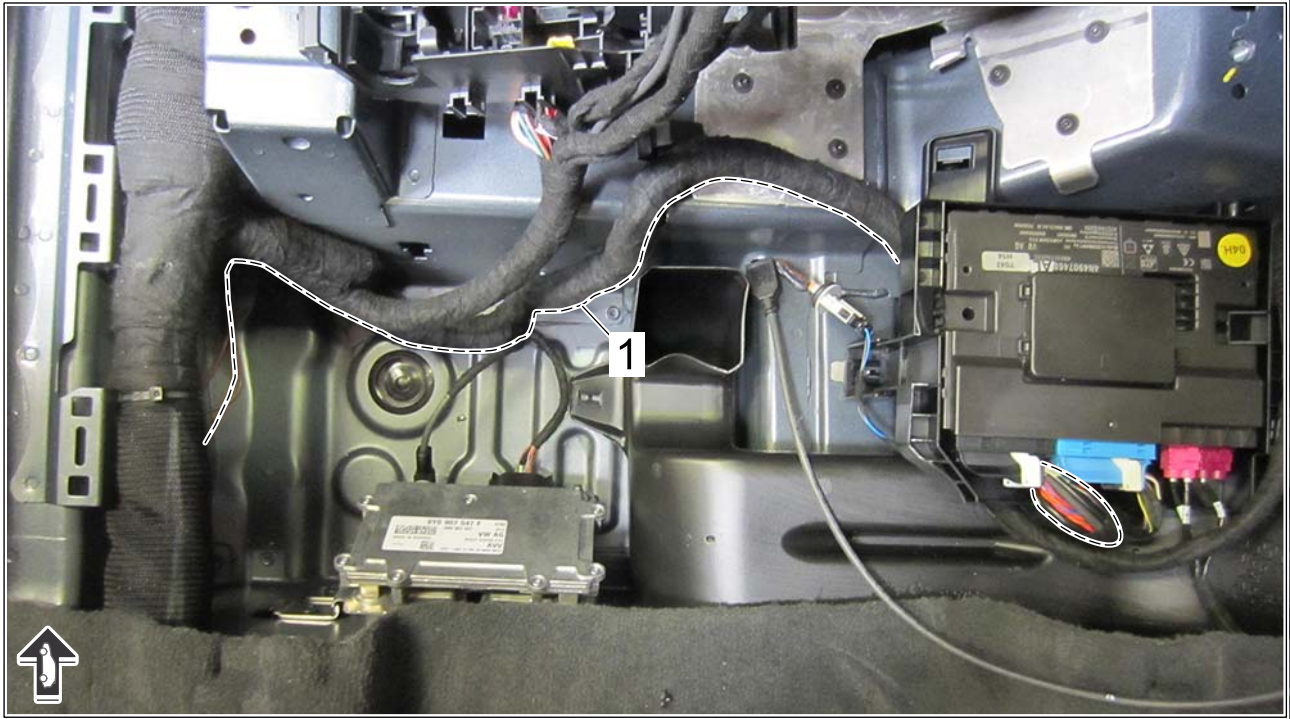
Nut for ground point on B-pillar

- 5 Loosen holder for Gateway control unit and Connect control unit.
 - 5.1 Unscrew screw on holder for Gateway control unit and Connect control unit ⇒ *Holder for Gateway control unit and Connect control unit -1-*.
 - 5.2 Unclip holder for Gateway control unit and Connect control unit at position ⇒ *Holder for Gateway control unit and Connect control unit -2-*.
 - 5.3 Move holder for Gateway control unit and Connect control unit aside.



Holder for Gateway control unit and Connect control unit

- 6 Route new ground line ⇒ *Ground line -1-* along the wire harness towards the Gateway control unit and Connect control unit and secure it with tie-wraps.



Ground line

**Information**

Always comply with the regulations for handling ESD-sensitive components!

- Always wear approved work clothes and shoes when carrying out assembly work.
- Do not touch electric pins and plug contacts.

7 Connect new ground line to the Gateway control unit and Connect control unit.

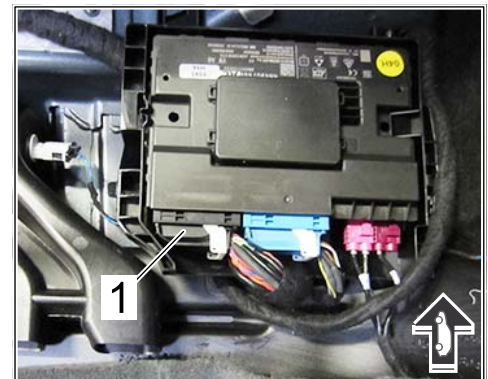
7.1 Release and disconnect electric plug connection ⇒ *Electric plug connection for Gateway control unit and Connect control unit -1-* from Gateway control unit and Connect control unit.

7.2 Disconnect old ground line (PIN 1) from electric plug connection using **VAS 1978/35-20 - release tool set**.

7.3 Connect new ground line.

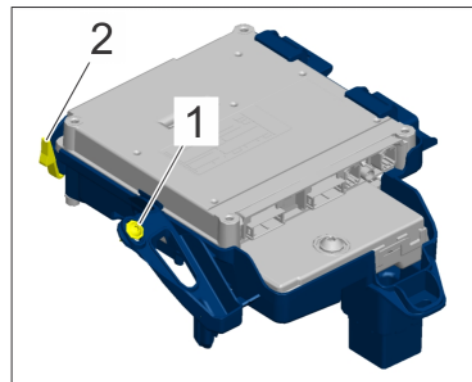
7.4 Insulate old ground line with shrink-fit hose and tie it back with a tie-wrap.

7.5 Connect and lock electric plug connection on Gateway control unit and Connect control unit.



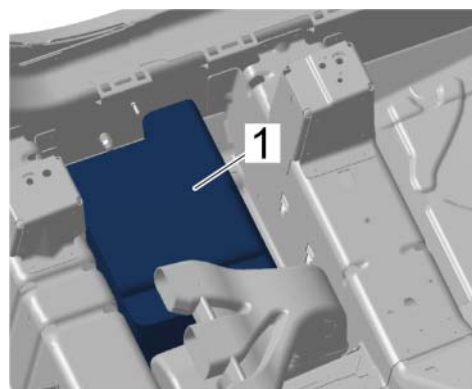
Electric plug connection for Gateway control unit and Connect control unit

- 8 Secure holder for Gateway control unit and Connect control unit.
 - 8.1 Position holder for Gateway control unit and Connect control unit.
 - 8.2 Clip in holder for Gateway control unit and Connect control unit at position ⇒ *Holder for Gateway control unit and Connect control unit -2-*.
 - 8.3 Fit screw on holder for Gateway control unit and Connect control unit ⇒ *Holder for Gateway control unit and Connect control unit -1-* and tighten to **Tightening torque 3.5 Nm (2.5 ftlb.)** .



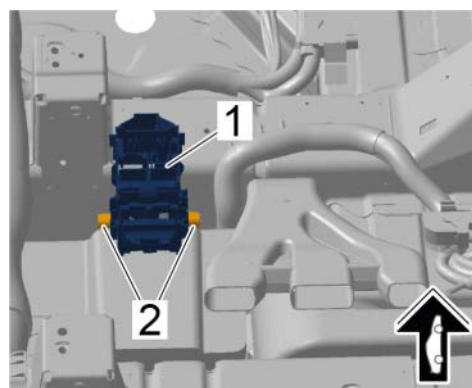
Holder for Gateway control unit and Connect control unit

- 9 Insert left sound absorber ⇒ *Left sound absorber -1-*.



Left sound absorber

- 10 Clip in line bracket ⇒ *Line bracket -1-* at positions ⇒ *Line bracket -2-*.
- 11 Fold the carpet to the rear.



Line bracket

Concluding work**Information**

After installing the Gateway control unit and Connect control unit, the Porsche Vehicle Tracking System (PVTs) must be set to **Activate** again.

Activate mode can only be set by the **customer** using Car Connect.

- Work Procedure: 1 Install door entry guard on driver's side, see ⇒ *Workshop Manual '680519 Removing and installing inner door sill trim'*.
- 2 Secure side trim panel on lower part of center console at the left, see ⇒ *Workshop Manual '68141903 Removing and installing side trim panel on lower part of centre console'*.
- 3 Secure battery ground strap, see ⇒ *Workshop Manual '2X00IN Work instructions after disconnecting the battery'*.
- 4 Install left front seat, see ⇒ *Workshop Manual '720119 Removing and installing front seat'*.

Invoicing

Invoicing: For documentation and warranty invoicing, enter the labor operation, PQIS coding and part number specified below in the warranty claim:

APOS	Labor operation	I No.
97094901	Reworking wire harness (154 TU)	

PQIS coding:

Location (FES5)	90350	Connect control unit
Damage type (SA4)	4028	reacts to interference

Parts Info.:	Part No.	Designation	Qty.
	9Y0971354	- Use ⇒ Ground line	1

- References:
- ⇒ *Workshop Manual '2X00IN Work instructions after disconnecting the battery'*
 - ⇒ *Workshop Manual '720119 Removing and installing front seat '*
 - ⇒ *Workshop Manual '68141903 Removing and installing side trim panel on lower part of centre console'*
 - ⇒ *Workshop Manual '680519 Removing and installing inner door entry guard '*

Important Notice: Technical Bulletins issued by Porsche Cars North America, Inc. are intended only for use by professional automotive technicians who have attended Porsche service training courses. They are written to inform those technicians of conditions that may occur on some Porsche vehicles, or to provide information that could assist in the proper servicing of a vehicle. Porsche special tools may be necessary in order to perform certain operations identified in these bulletins. Use of tools and procedures other than those Porsche recommends in these bulletins may be detrimental to the safe operation of your vehicle, and may endanger the people working on it. Properly trained Porsche technicians have the equipment, tools, safety instructions, and know-how to do the job properly and safely. Part numbers listed in these bulletins are for reference only. The work procedures updated electronically in the Porsche PIWIS diagnostic and testing device take precedence and, in the event of a discrepancy, the work procedures in the PIWIS Tester are the ones that must be followed.

© 2020 Porsche Cars North America, Inc.