



GROUP
TRA

MODEL
2017MY
Multiple Models
2016-2017MY
Optima (JF)

NUMBER
072 (Rev 3, 01/07/2019)

DATE
December 2017

TECHNICAL SERVICE BULLETIN

SUBJECT: SERVICE ACTION: INHIBITOR SWITCH
REPLACEMENT (SA317B/C)

* NOTICE

This bulletin has been revised to include additional information. New/revised sections of this bulletin are indicated by a black bar in the margin area.

This bulletin provides the procedure to replace the inhibitor switch on some 2017MY Optima (JFa), Sorento (UMa), Optima Hybrid (HEV), Optima Plug-in Hybrid (PHEV), Sportage (QL), Forte (YD), and Sedona (YP), and some 2016-2017MY Optima (JF) vehicles, equipped with a front wheel drive 6-speed transmission, which may experience the concerns listed below. These concerns may be due to the inhibitor switch not allowing the correct gear position signal to be sent to various control units. Follow the procedure outlined in this bulletin to replace the inhibitor switch. Before conducting the procedure, verify that the vehicle is included in the list of affected VINs.

Symptoms:

- Malfunction Indicator Lamp (MIL) ON with DTC P0705 - Transmission Range Sensor (TRS) Circuit Malfunction (active or history)
- CAN-related DTCs (For both Hybrids: CAN DTC C2243)
- Intermittent no crank/no start
- Erratic or harsh shifting
- EPB and Hold lights illuminated intermittently
- "Key OFF" indicated after placing the selector lever into the 'P' position and depressing the Start/Stop button

Note: When this condition occurs, the 'P' position is not indicated on the instrument cluster.

Model	Production Date
Optima (JFa)	August 29, 2016 through June 15, 2017
Sorento (UMa)	
Optima Hybrid (JF HEV)	June 27, 2016 through April 4, 2017
Optima Plug-in Hybrid (JF PHEV)	
Sportage (QL)	June 7, 2016 through March 6, 2017
Forte (YD)	June 28, 2016 through March 7, 2017
Sedona (YP)	June 8, 2016 through March 3, 2017
Optima (JF)	July 4, 2016 through February 28, 2017

File Under: <Transmission>

Circulate To: General Manager Service Manager Parts Manager
 Service Advisors Technicians Body Shop Manager Fleet Repair

*** NOTICE**

For Optima models included in this TSB:

VINs that start with 5XX are designated Optima (JFa) and produced in the United States. VINs that start with KNA are designated Optima (JF/JF HEV/JF PHEV) are produced in South Korea.

*** NOTICE**

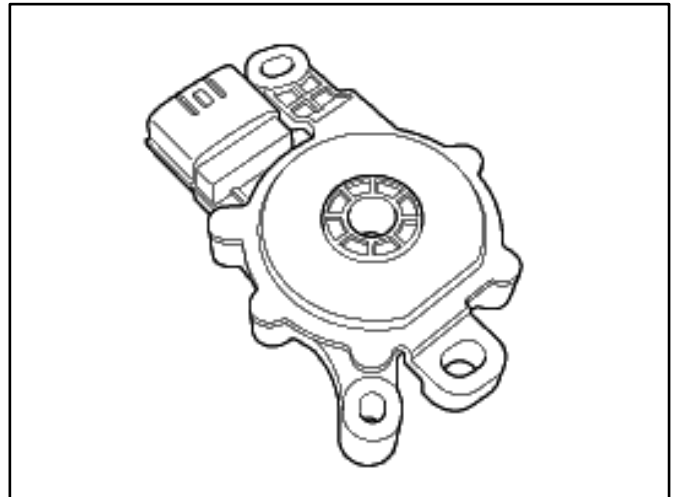
A Service Action is a repair program without customer notification that is performed during the warranty period. Any dealer requesting to perform this repair outside the warranty period will require DPSM approval.

Repair status for a VIN is provided on WebDCS (Service → Warranty Coverage → Warranty Coverage Inquiry → Campaign Information). Not completed Recall / Service Action reports are available on WebDCS (Consumer Affairs → Not Completed Recall → Recall VIN → Select Report), which includes a list of affected vehicles.

This issue number is SA317B/C.

Replacement Procedure:

1. Replace the inhibitor switch by referring to the “Automatic Transaxle System → Automatic Transaxle Control System → Inhibitor Switch → Repair procedures” chapter of the applicable Shop Manual on KGIS.

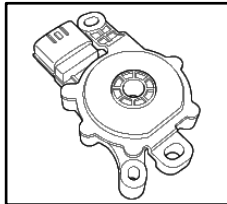


2. Clear any related DTCs if necessary.
3. Confirm proper operation of vehicle.

SUBJECT: SERVICE ACTION: INHIBITOR SWITCH REPLACEMENT (SA317B/C)**AFFECTED VEHICLE RANGE:**

Model	Production Date Range
Optima (JFa)	August 29, 2016 through June 15, 2017
Sorento (UMa)	
Optima Hybrid (JF HEV)	June 27, 2016 through April 4, 2017
Optima Plug-in Hybrid (JF PHEV)	
Sportage (QL)	June 7, 2016 through March 6, 2017
Forte (YD)	June 28, 2016 through March 7, 2017
Sedona (YP)	June 8, 2016 through March 3, 2017
Optima (JF)	July 4, 2016 through February 28, 2017

REQUIRED PART:

Part Name	Part Number	Figure
Inhibitor Switch	42700 3B700QQK	

WARRANTY INFORMATION:**N Code: N99 C Code: C99**

Model	Claim Type	Causal P/N	Qty.	Repair Description	Labor Op Code	Op Time	Replacement P/N	Qty.
JF	V	42700 3B700	0	(SA317B) Inhibitor Switch Replacement	170128R1	0.4 M/H	42700 3B700QQK	1
JFa				(SA317C) Inhibitor Switch Replacement	170128R2	0.4 M/H	42700 3B700QQK	1
UMa				(SA317C) Inhibitor Switch Replacement	170A63R3	0.4 M/H	42700 3B700QQK	1
JF HEV, PHEV				(SA317C) Inhibitor Switch Replacement	170133R4	1.4 M/H	42700 3B700QQK	1
QL, YD, YP				(SA317C) Inhibitor Switch Replacement	170128R5	0.4 M/H	42700 3B700QQK	1

*** NOTICE**

VIN inquiry data for this repair is provided for tracking purposes only. Kia retailers should reference **SA317B/C** when accessing the WebDCS system.