



## Technical Tip

<b>Topic</b>	80-18-01TT - No Heat from the Rear Heater Core
<b>Market area</b>	United States 444 Volkswagen of America, Inc. (6444)
<b>Brand</b>	Volkswagen
<b>Date</b>	November 30, 2018

## Condition

<b>ATTENTION:</b>
<b>THIS IS A TECH TIP, NOT A TECHNICAL BULLETIN.</b>
<b>TECH TIPS ARE NOT ASSOCIATED WITH WARRANTY CLAIMING.</b>

### No Heat from Rear Heater Core

Model(s)	Year	Eng. Code	Trans. Code	VIN Range From	VIN Range To
Atlas	2018-2019	3.6L (CDVC)	All	All	All

## Technical Background

No heat from the rear climate control system can be due to the Auxiliary Heater Core Valve.

## Service

Verify the coolant quality and pressure test the cooling system for leaks. If no concerns are found, check the heater core lines after the thermostat to the rear heater core. If cold, replace the Auxiliary Heater Core Valve and vacuum bleed the cooling system.

**“Part numbers are accurate at time of publication. Always refer to ETKA for the latest part information”.**



Figure 1



Figure 2



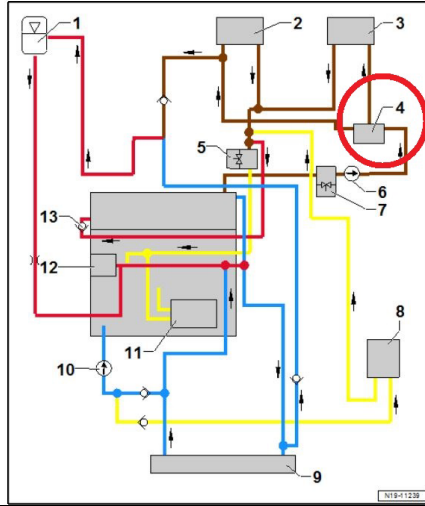
Figure 3



Connection Diagram - Coolant Hoses

- 1 - Expansion Tank
- 2 - Heater Core for the Heater
- 3 - 2. Heater Core for the Heater
- 4 - Thermostat For rear heater core. 7E0-820-295-B
- 5 - Transmission Coolant Valve -N488-
- 6 - Heater Support Pump -V488-
- 7 - Coolant Shut-Off Valve -N82-
- 8 - Transmission Fluid Cooler
- 9 - Radiator
- 10 - Coolant Recirculation Pump -V50-
- 11 - Engine Oil Cooler
- 12 - Coolant Pump
- 13 - Check Valve

2018 Atlas coolant diagram (3.6L)



## Additional Information

### Revision History

Revision Number	Released Date	Reason For Update
2053134/1	11/30/18	Original publication.

© 2018 Volkswagen Group of America, Inc. All rights reserved. Information contained in this document is based on the latest information available at the time of printing and is subject to the copyright and other intellectual property rights of Volkswagen Group of America, Inc., its affiliated companies and its licensors. All rights are reserved to make changes at any time without notice. No part of this document may be reproduced, stored in a retrieval system, or transmitted in any form or by any means, electronic, mechanical, photocopying, recording, or otherwise, nor may these materials be modified or reposted to other sites, without the prior expressed written permission of the publisher.