



Technical Journal

TITLE:
Climate unit, not sufficient airflow from vents

REF NO: TJ 33353.1.2	ISSUING DEPARTMENT: Technical Service	CAR MARKET: United States and Canada	
PARTNER: 3 US 7510 Volvo Car USA		ISSUE DATE: 2019-04-12	STATUS DATE: 2019-04-17
FUNC GROUP: 8731	FUNC DESC: Heater unit, complete	Page 1 of 23	

“Right first time in Time”

Attachment

File Name	File Size
TJ 33353 S_V_V90CC.pdf	1.3382 MB
TJ 33353 XC60.pdf	3.4333 MB
TJ 33353 XC90.pdf	4.3951 MB

Vehicle Type

Type	Eng	Eng Desc	Sales	Body	Gear	Steer	Model Year	Plant	Chassis range	Struc Week Range
234							2017-9999		0000350-9999999	201617-999952
235							2017-9999		0000160-9999999	201624-999952
236							2017-9999		0000098-9999999	201646-999952
238							2018-9999		0000161-9999999	201646-999952
246							2018-9999		0000390-9999999	201717-999952
256							2016-9999		0000561-9999999	201505-999952

CSC Customer Symptom Codes

Code	Description
SZ	Air vents/Air vent adjustment problems
2C	Blower fan/Blower fan always activated
8S	Defog/defrost/Rear window defog/defrost/Slow to clear/uneven clearing
8E	Temperature control/Heater not hot enough in front section
SA	Temperature control/A/C not cold enough in front section
TN	Temperature control/Heater does not work



VST Operation Number

VST Operation Number	Description
98706-2	Link arm HVAC adjust acc. to TJ33353

DTC Diagnostic Trouble Codes

Rows beginning with * are modified

Note! If using a printed copy of this Technical Journal, first check for the latest online version.

Text

DESCRIPTION:

If customer experiences not enough air flow from the air vents when fan motor is running and it has been determined that the outside air vent (OSA) in HVAC is loose. Follow advice under service.

Note: If the air flows returns when pressing the Recirculation button, then the outside vent is likely loose.

SERVICE:

Perform action according to attached instructions for different car variants.

TJ 33353 XC60

TJ 33353 XC90

TJ 33353 S/V/V90CC

VEHICLE REPORT:

Yes, please submit a Vehicle Report if the service solution described in this TJ has no effect. Use concern area "Vehicle Report" and sub concern area "Support not needed", use function group 8731.

To view TJ attachment continue to next page. This TJ has three attachments.



Volvo Car Customer Service

TJ Instruction VCC-509068-5

Title	Climate unit fan housing throttle arm	Page	1 (4)
Action	Installation	Operation number:	98706-2

Issue	Date	Reason
1	2017-12	First issue

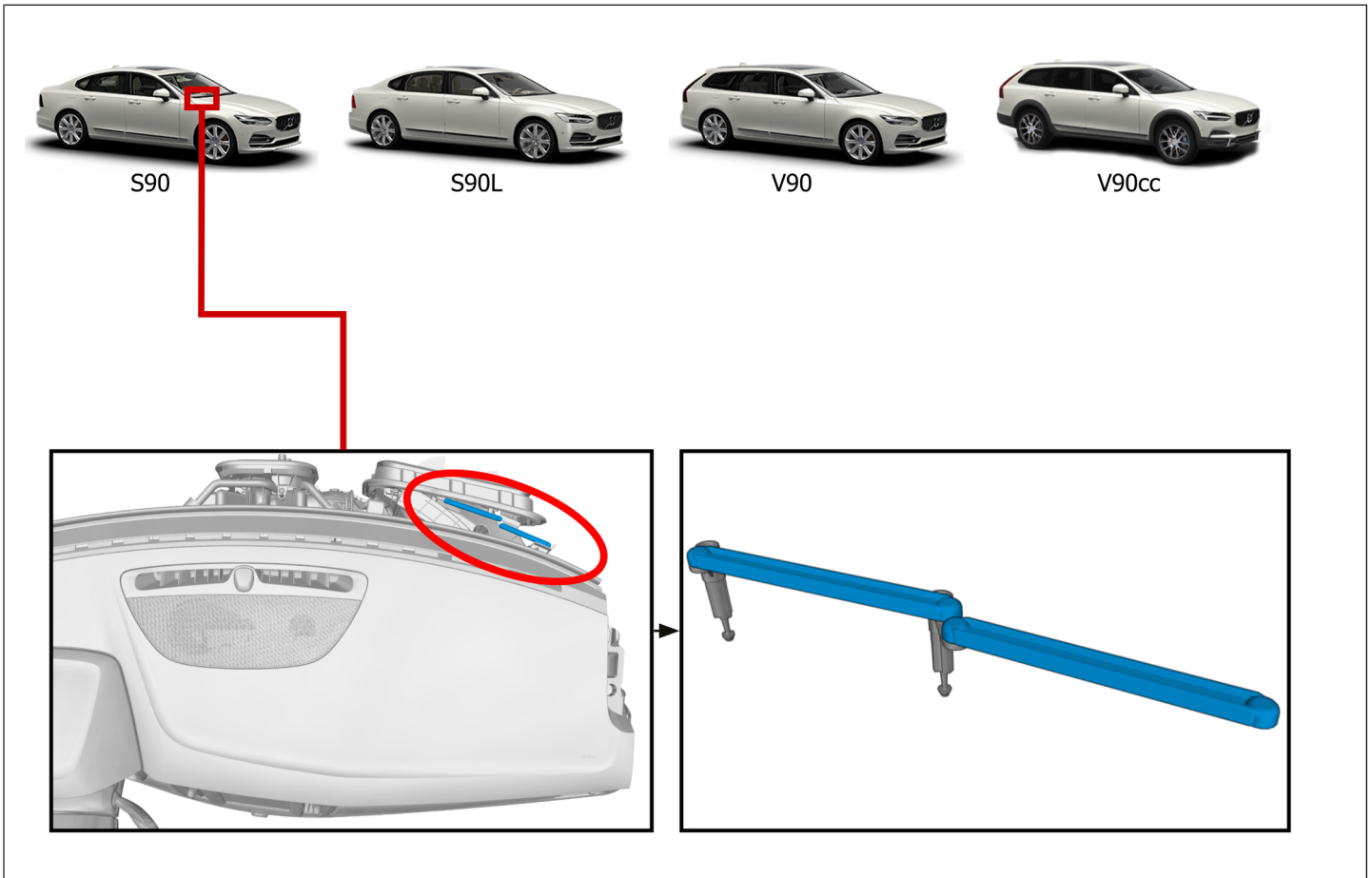
Affected vehicles

Model year	Model	Steering
2017, 2018, 2019	S90 (17-)	L.H.D
2017, 2018, 2019	S90L	L.H.D
2017, 2018, 2019	V90 (17-)	L.H.D
2017, 2018, 2019	V90 Cross Country	L.H.D

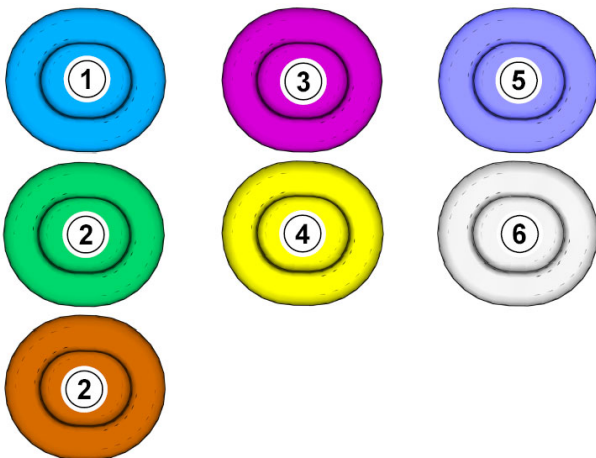
Materials

Materials	Qty.	Part No.	Notes
Intermediate lever	1.0	32226504	
Flange screw	1.0	985039	Knot, steering wheel axle;

Orientation view



Color symbols

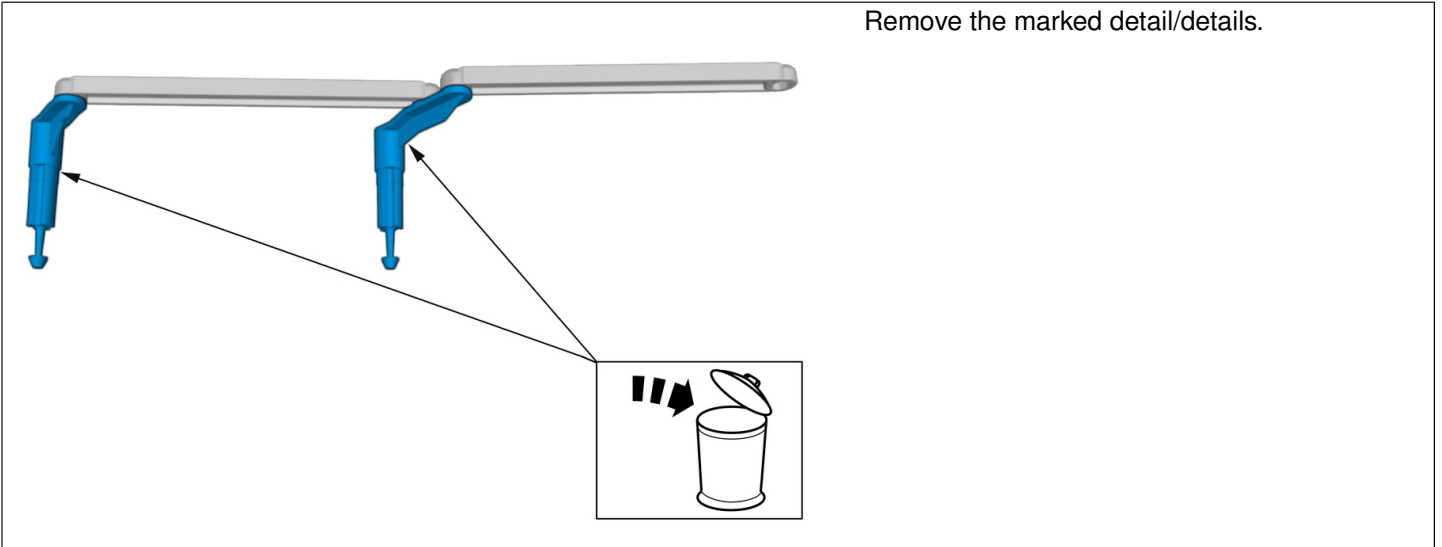


Note! This colour chart displays (in colour print and electronic version) the importance of the different colours used in the images of the method steps.

- 1 . Used for focused component, the component with which you will do something.
- 2 . Used as extra colors when you need to show or differentiate additional parts.
- 3 . Used for attachments that are to be removed/installed. May be screws, clips, connectors, etc.
- 4 . Used when the component is not fully removed from the vehicle but only hung to the side.
- 5 . Used for standard tools and special tools.
- 6 . Used as background color for vehicle components.

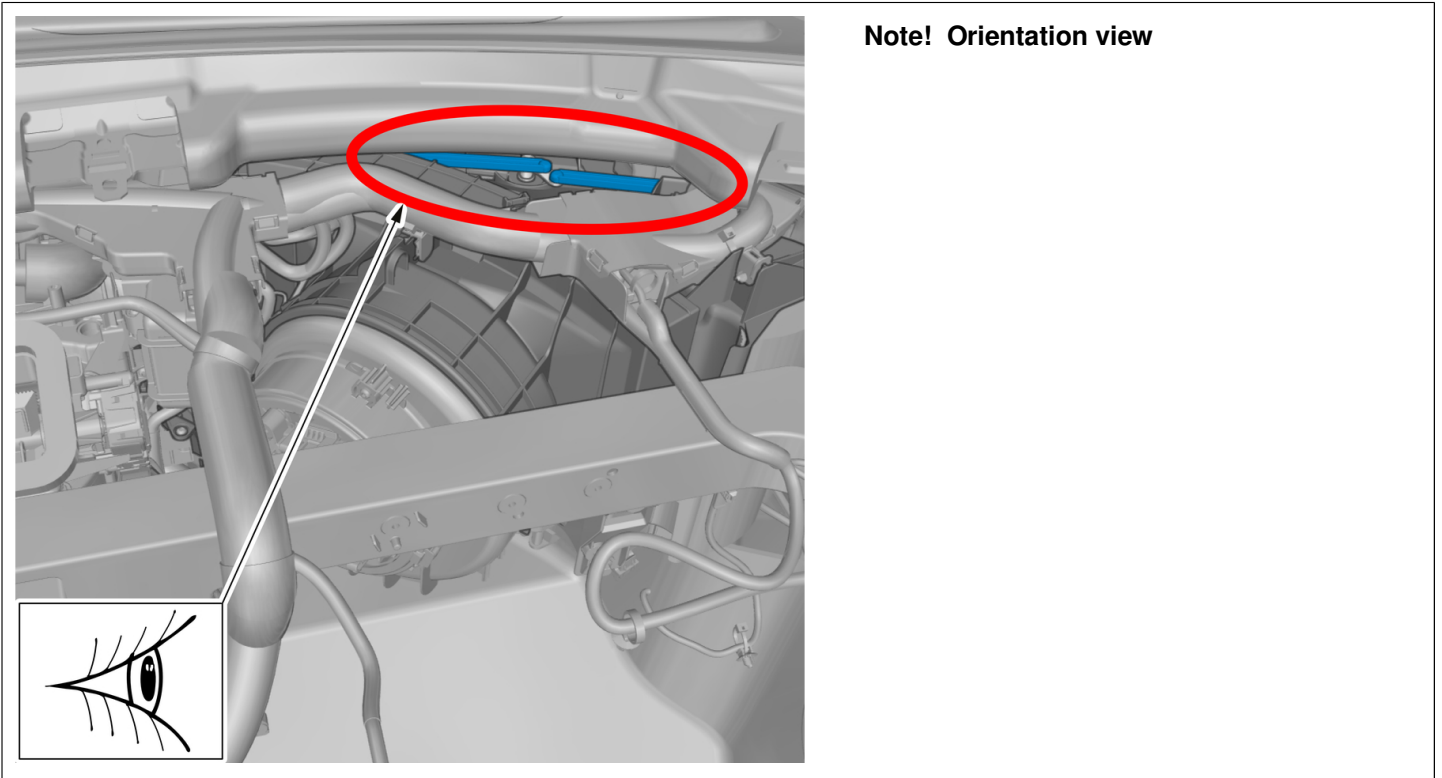
Removal

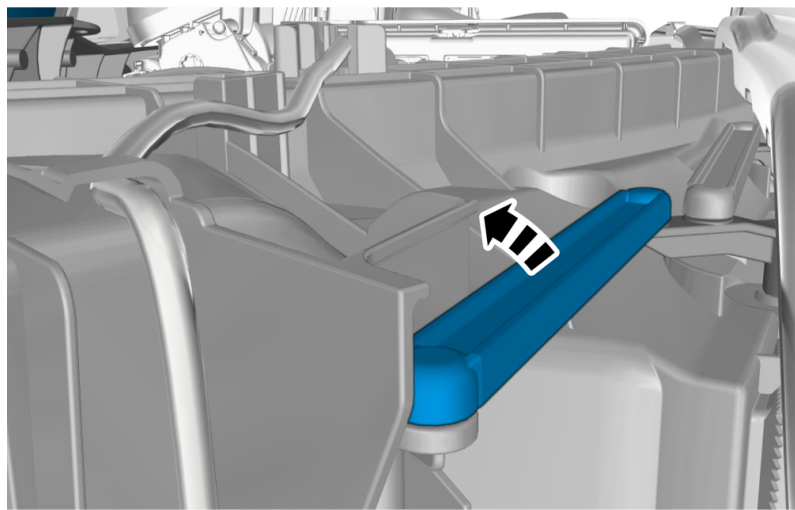
Remove the marked detail/details.



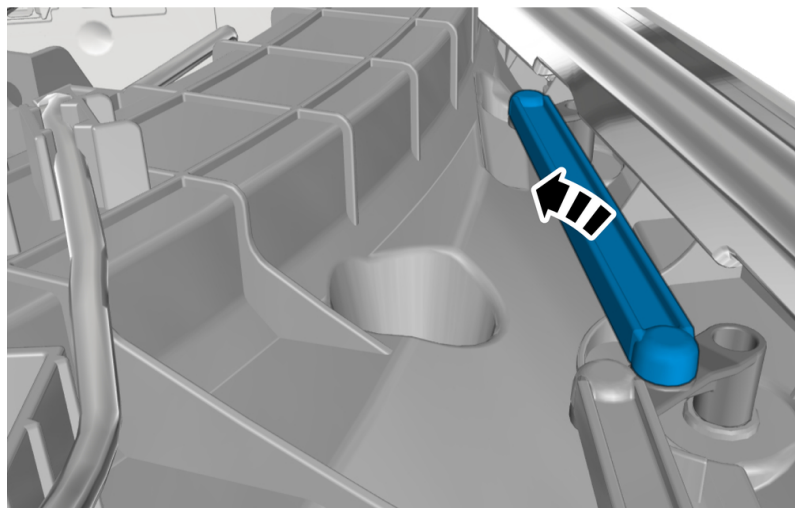
Remove the dashboard , refer to:
Removal, replacement and installation
8 - Body and interior
88 - Interior equipment
881 - instrument and radio panel

Note! Orientation view





Remove the marked part.
Use hands only.



Remove the marked part.
Use hands only.

Installation

To install, reverse the removal procedure.



Volvo Car Customer Service

TJ Instruction VCC-509068-1

Title	Climate unit fan housing throttle arm	Page	1 (8)
Action	Installation	Operation number:	98706-2

Issue	Date	Reason
1	2017-12	First issue

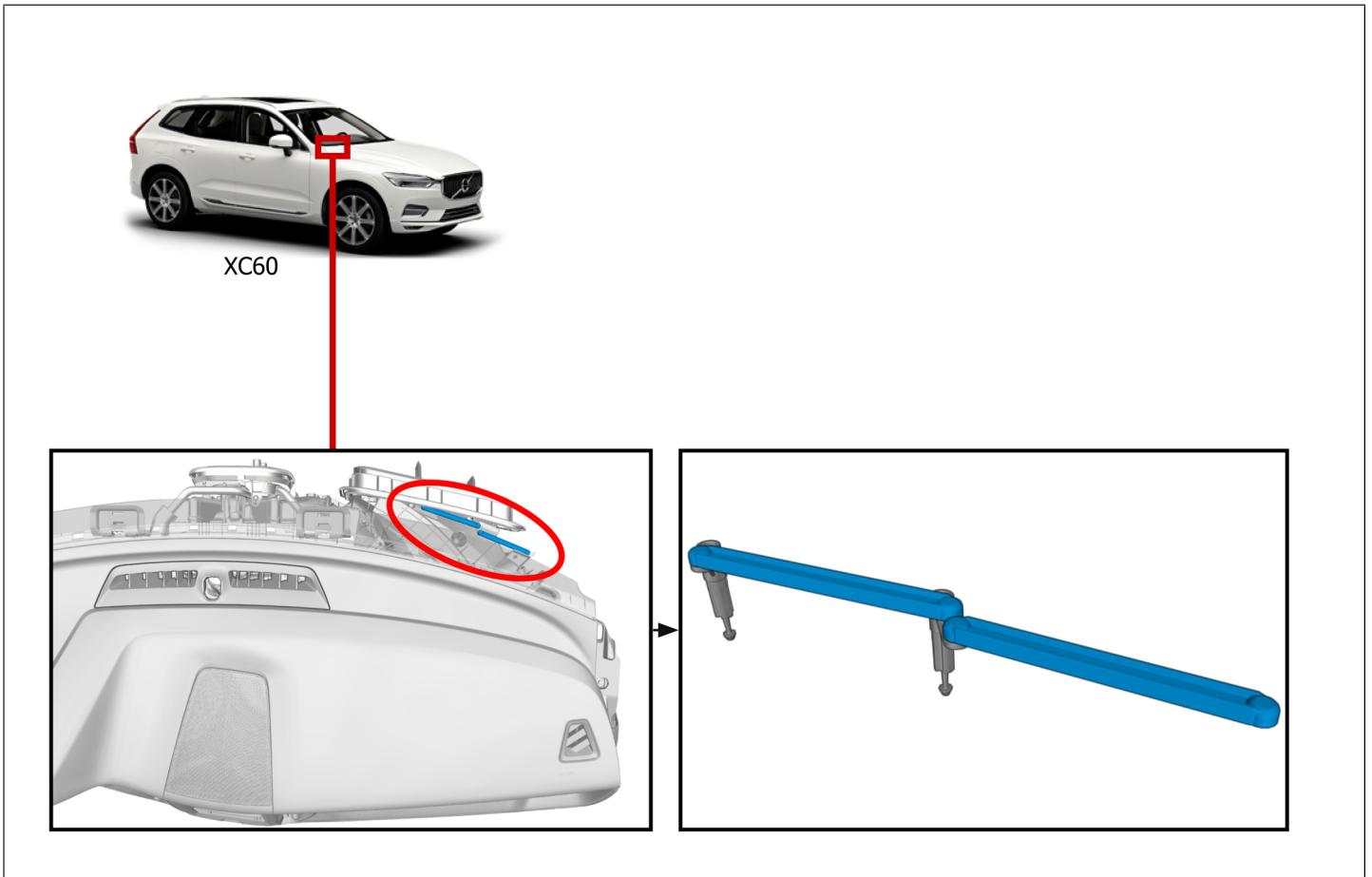
Affected vehicles

Model year	Model	Steering
2018, 2019	XC60 (18-)	L.H.D

Materials

Materials	Qty.	Part No.	Notes
Intermediate lever	1.0	32226504	
Sems screw	6.0	30640812	(Pass.airbag module);

Orientation view



Color symbols

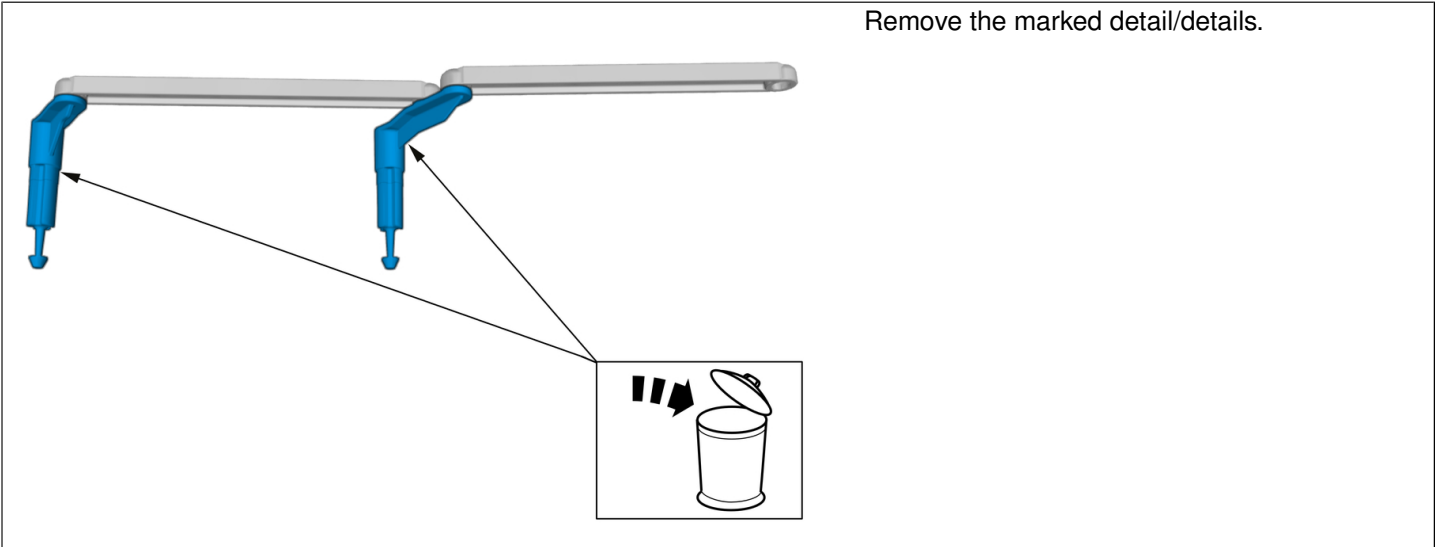
The color chart consists of six numbered circles arranged in a 3x2 grid. The top row contains circles 1 (blue), 3 (magenta), and 5 (light blue). The middle row contains circles 2 (green), 4 (yellow), and 6 (grey). The bottom row contains circle 2 (orange).

Note! This colour chart displays (in colour print and electronic version) the importance of the different colours used in the images of the method steps.

- 1 . Used for focused component, the component with which you will do something.
- 2 . Used as extra colors when you need to show or differentiate additional parts.
- 3 . Used for attachments that are to be removed/installed. May be screws, clips, connectors, etc.
- 4 . Used when the component is not fully removed from the vehicle but only hung to the side.
- 5 . Used for standard tools and special tools.
- 6 . Used as background color for vehicle components.

Removal

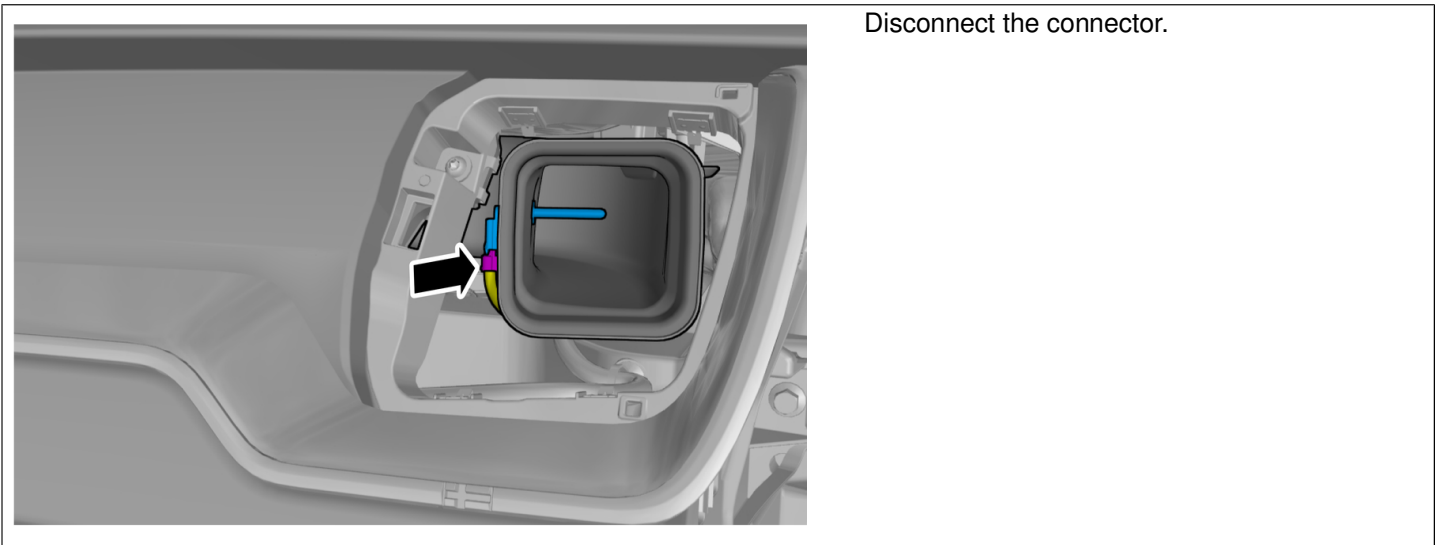
Remove the marked detail/details.

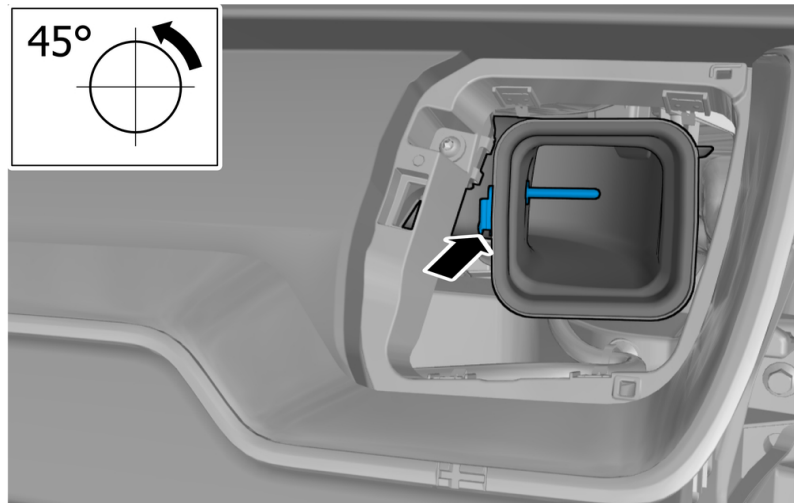


Remove ventilation nozzle passenger side ,
refer to:

- Removal, replacement and installation
- 8 - Body and interior
- 87 - Climate units
- 872 - air distribution

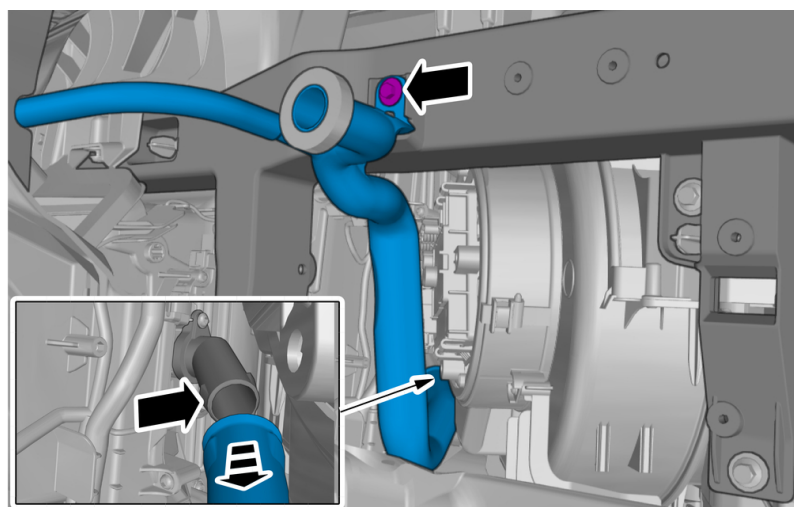
Disconnect the connector.

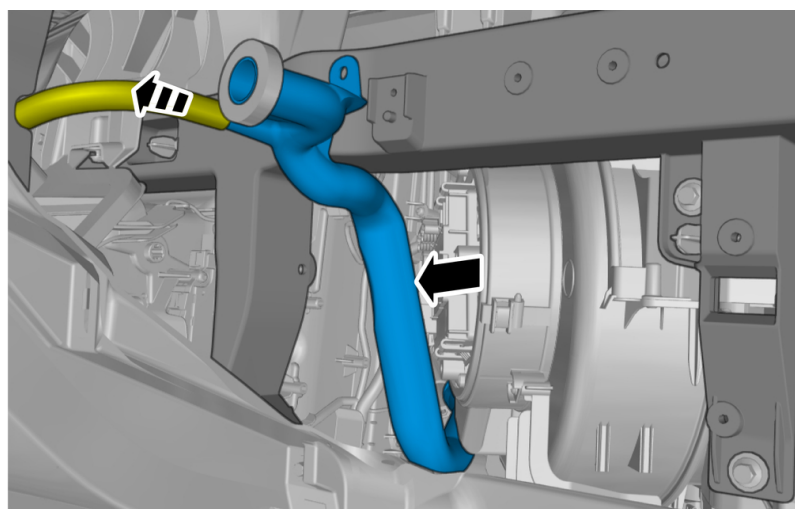




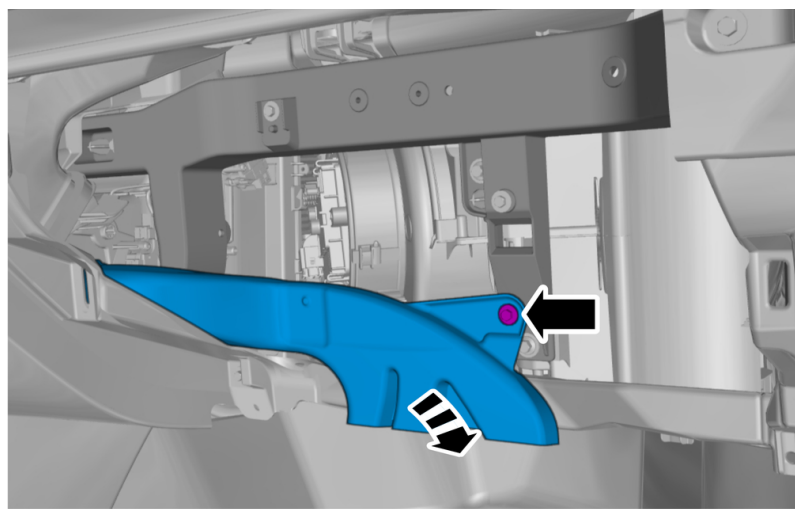
Remove the part carefully
Remove the marked part.

Remove airbag passenger side , refer to:
Removal, replacement and installation
8 - Body and interior
88 - Interior equipment
884 - seat belt and other restraining
systems





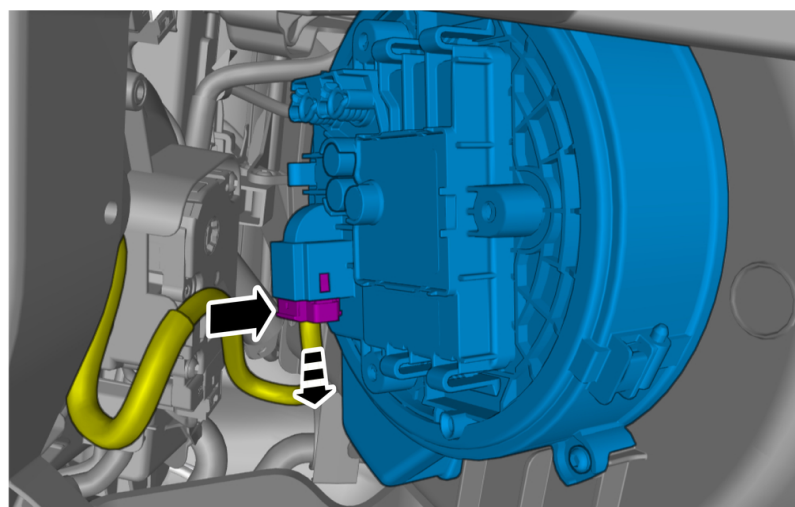
Undo the hose from the connection.
Remove the marked part.



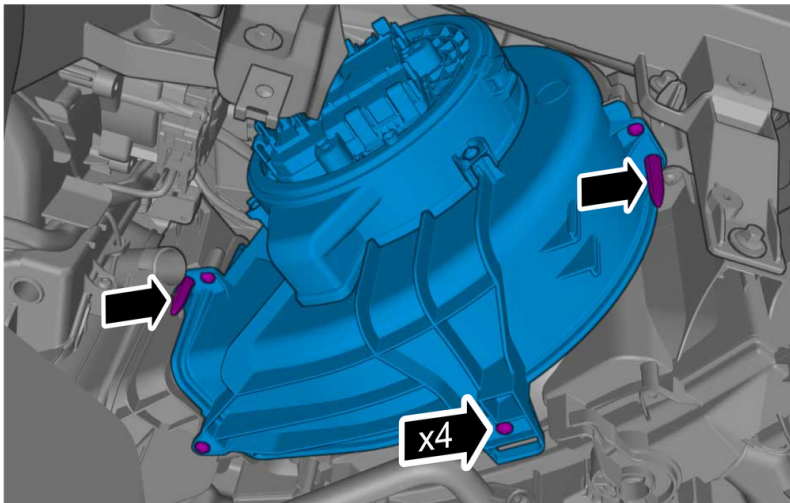
Remove the screw.
Remove the marked part.

Torque:

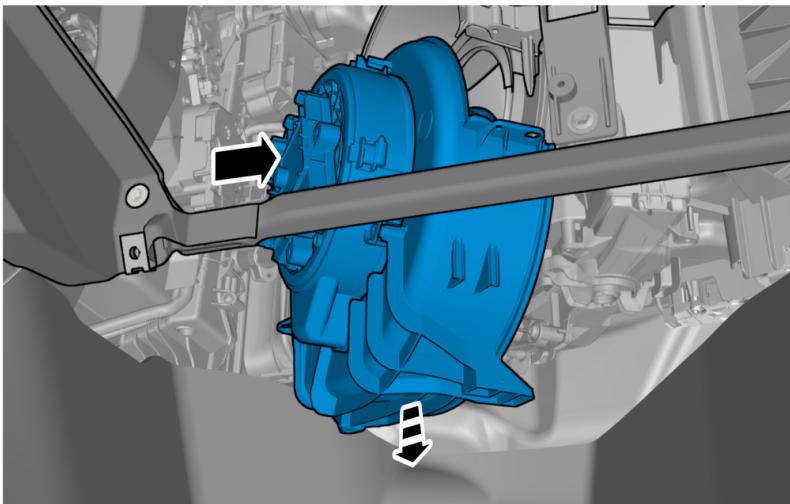
Air duct, to Cross car beam. , 5 Nm



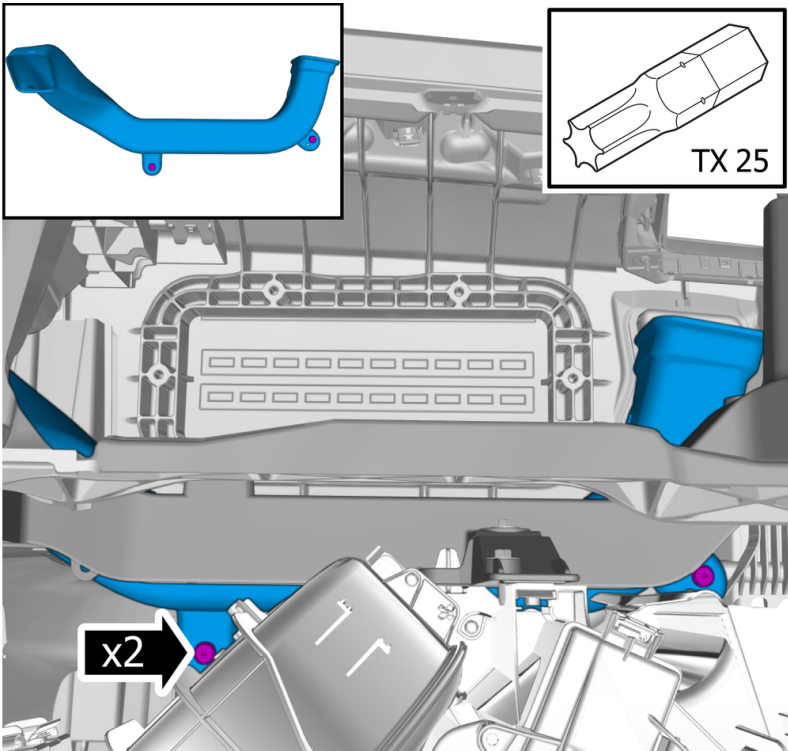
Disconnect the connector.



Remove the screws.
Release the catches.

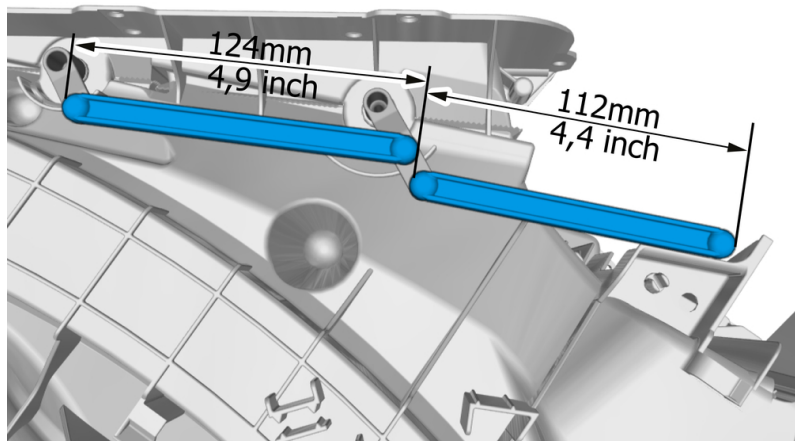


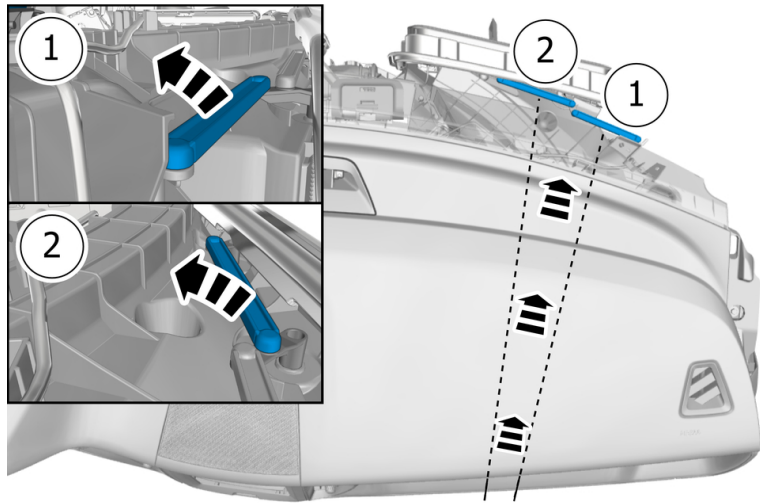
Remove the part carefully
Remove the marked part.



Remove the screws.
Remove the part carefully

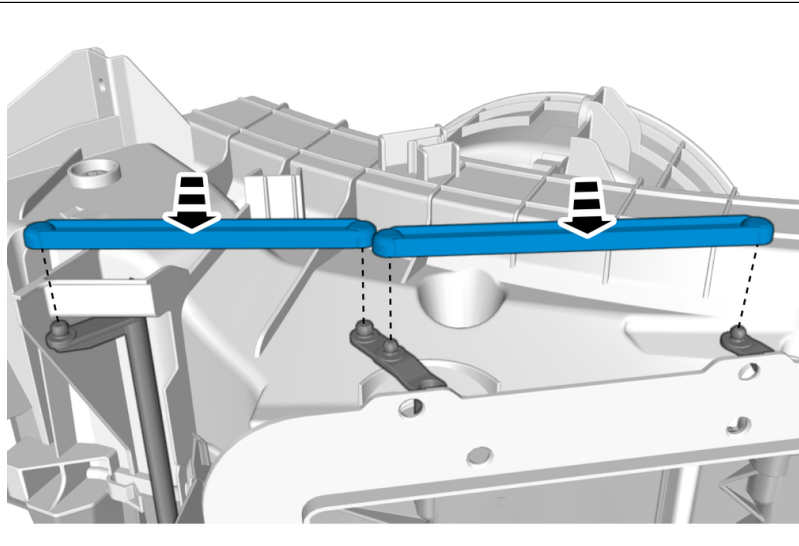
Note! Orientation view





Remove the marked detail/details.
Use hands only.

Installation



Note! Orientation view

To install, reverse the removal procedure.



Volvo Car Customer Service

TJ Instruction VCC-509068-3

Title	Climate unit fan housing throttle arm	Page	1 (9)
Action	Installation	Operation number:	98706-2

Issue	Date	Reason
1	2017-12	First issue

Affected vehicles

Model year	Model	Steering
2016, 2017, 2018, 2019	XC90 (16-)	L.H.D

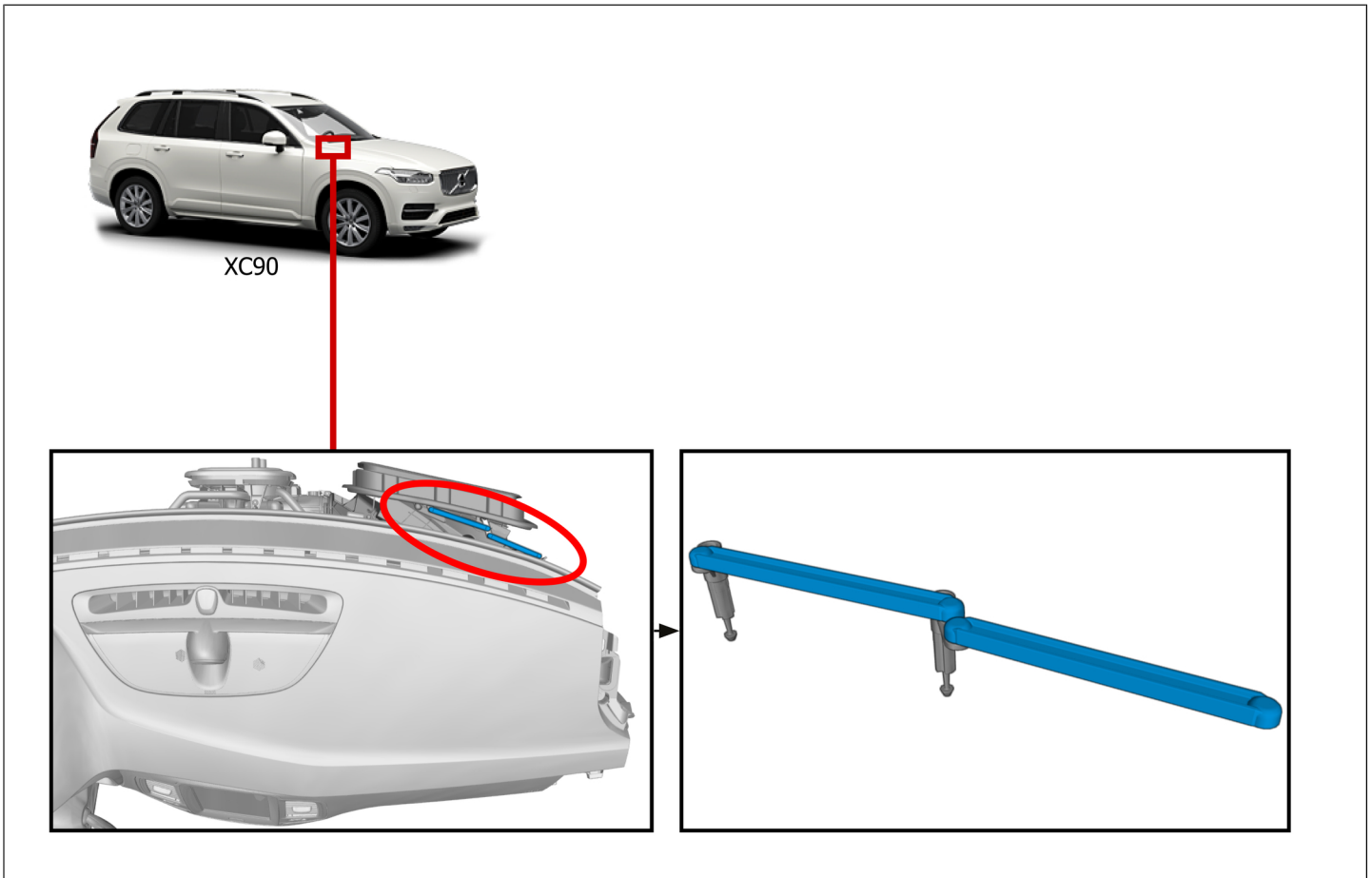
Materials

Materials	Qty.	Part No.	Notes
Intermediate lever	1.0	32226504	
Sems screw	6.0	30640812	(Pass. airbag module);

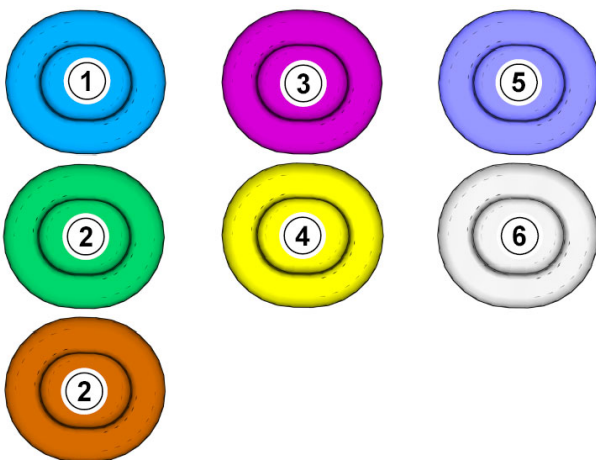
Equipment

Designation	Part No.
Interior trim remover	

Orientation view



Color symbols

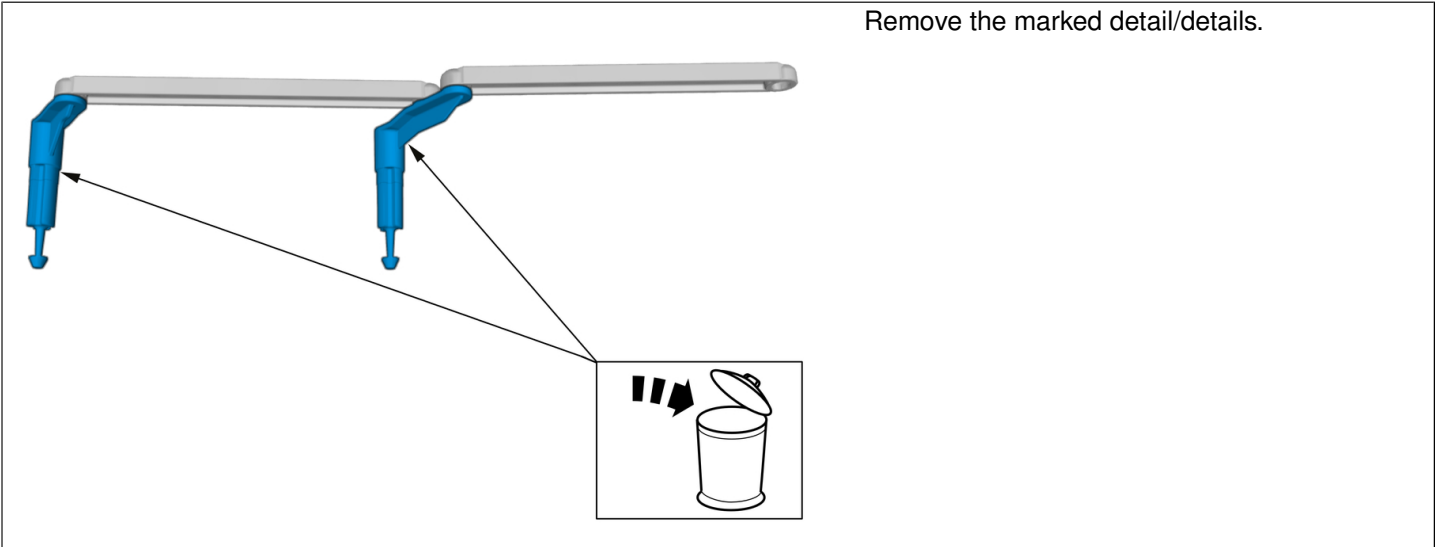


Note! This colour chart displays (in colour print and electronic version) the importance of the different colours used in the images of the method steps.

- 1 . Used for focused component, the component with which you will do something.
- 2 . Used as extra colors when you need to show or differentiate additional parts.
- 3 . Used for attachments that are to be removed/installed. May be screws, clips, connectors, etc.
- 4 . Used when the component is not fully removed from the vehicle but only hung to the side.
- 5 . Used for standard tools and special tools.
- 6 . Used as background color for vehicle components.

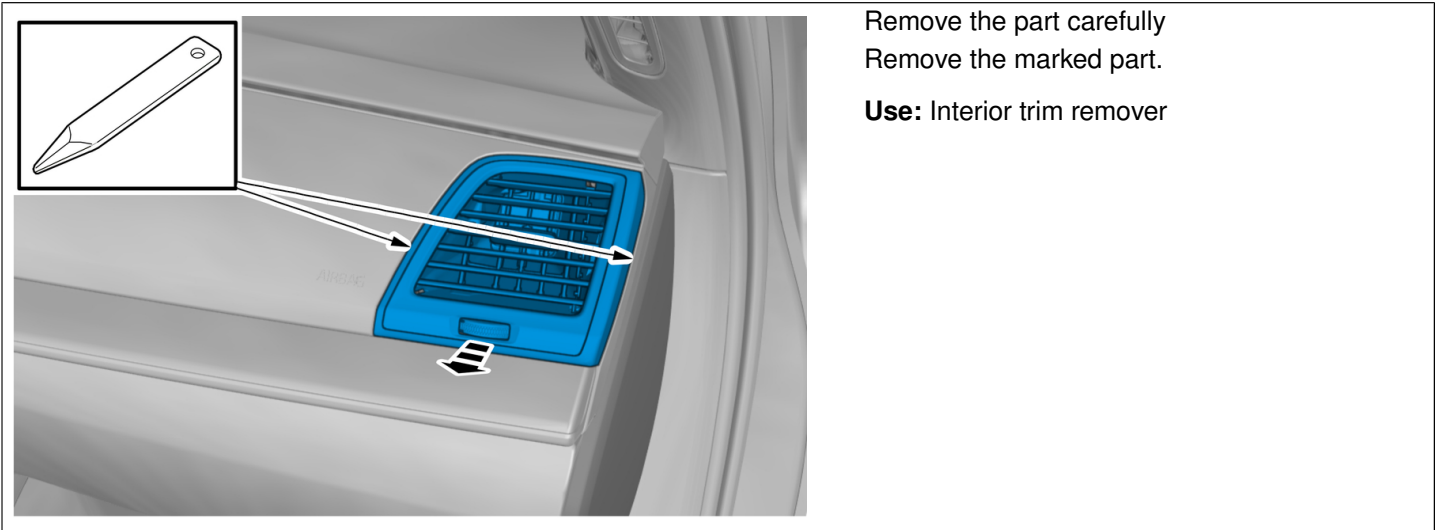
Removal

Remove the marked detail/details.

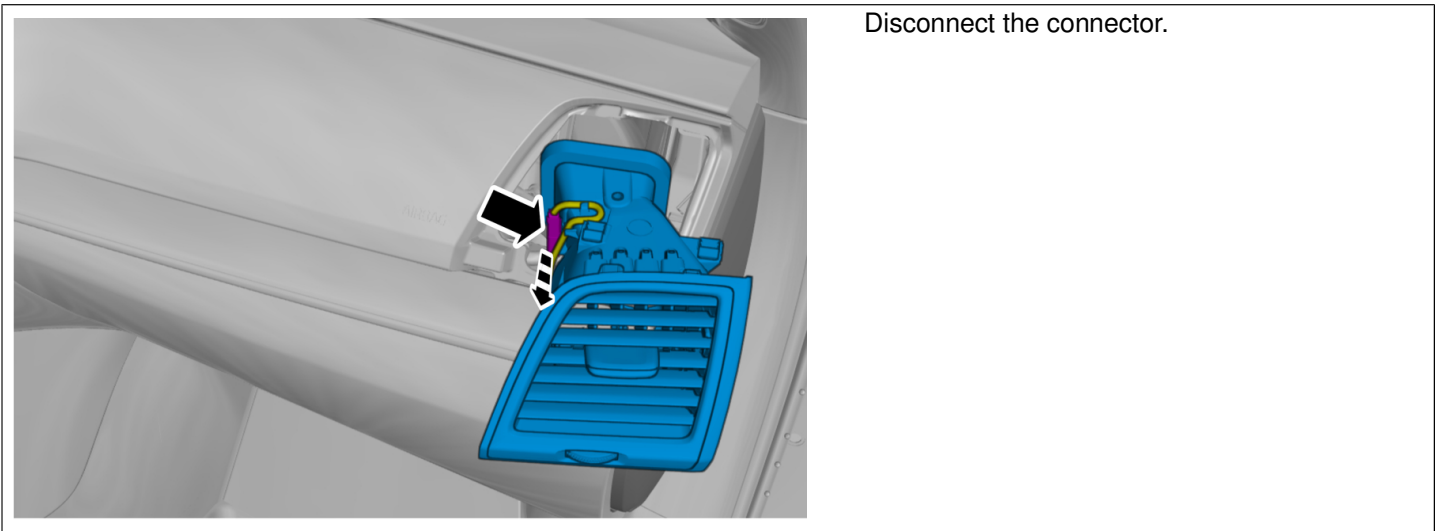


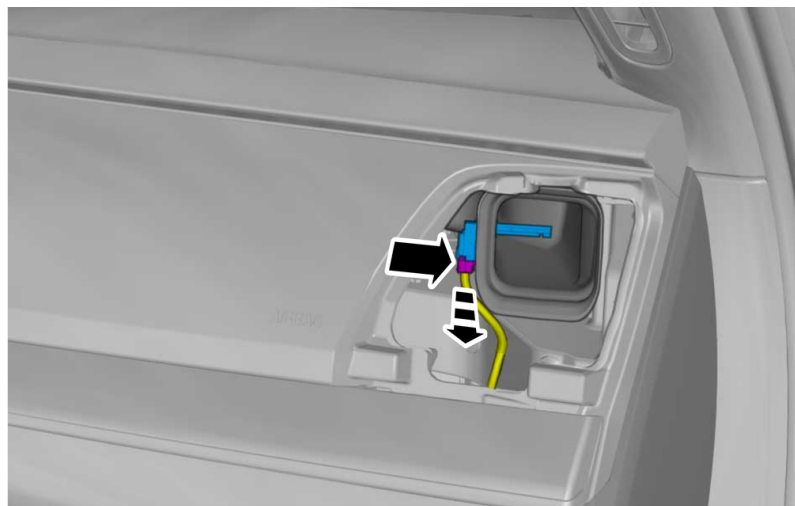
Remove the part carefully
Remove the marked part.

Use: Interior trim remover

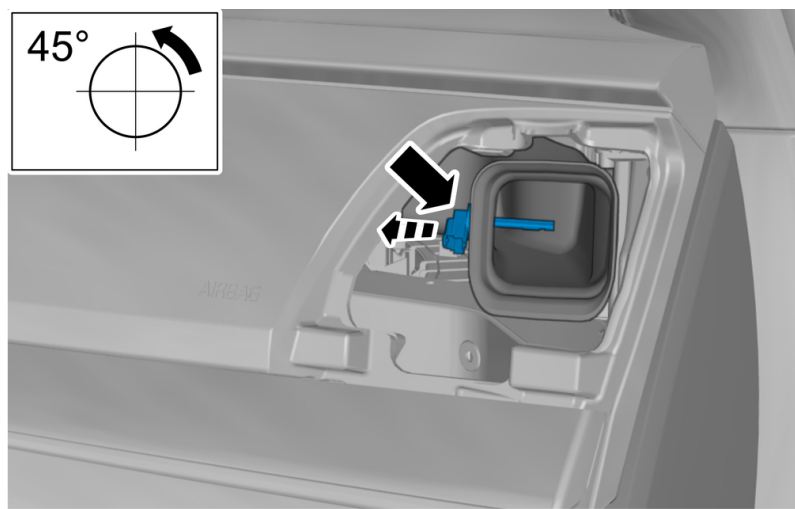


Disconnect the connector.



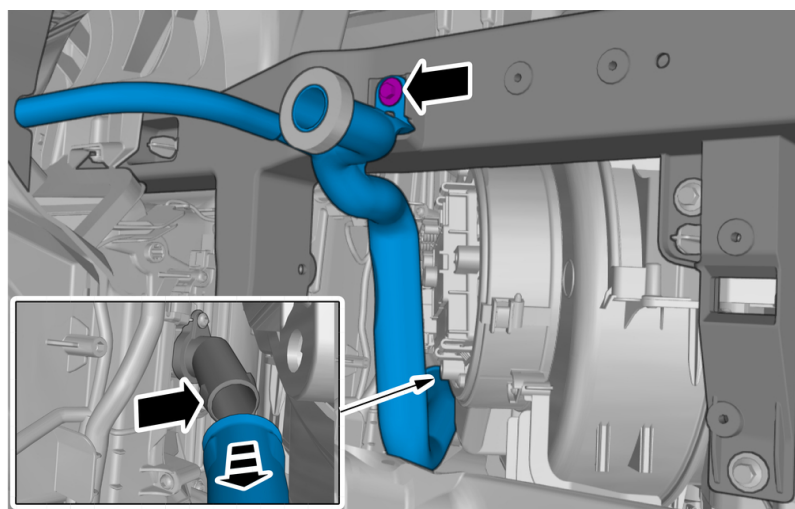


Disconnect the connector.



Loosen the marked detail.

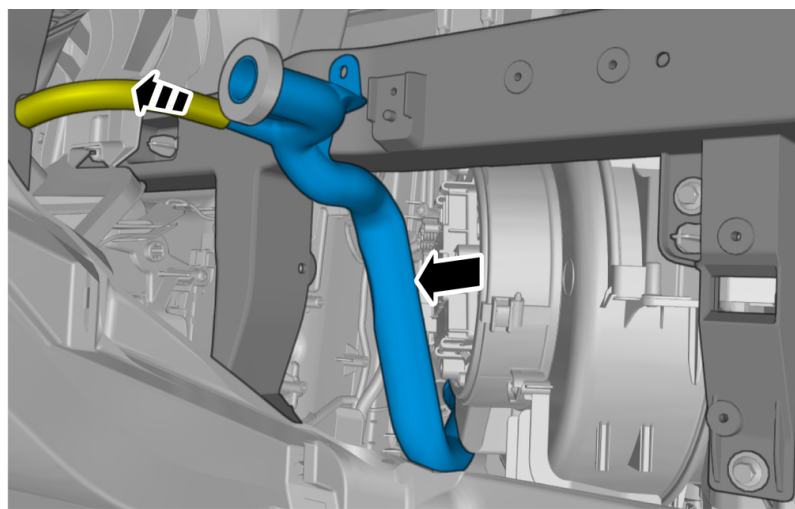
Remove airbag passenger side , refer to:
Removal, replacement and installation
8 - Body and interior
88 - Interior equipment
884 - seat belt and other restraining systems



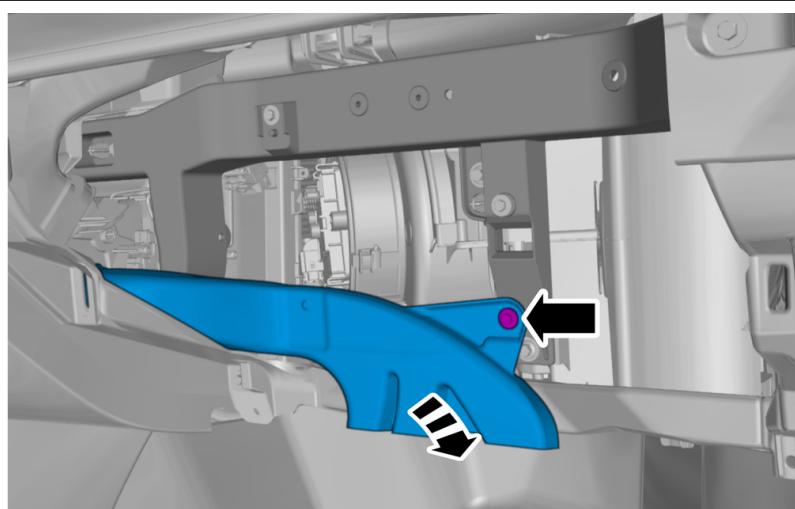
Remove the screw.
Undo the hose from the connection.

Torque:

Air duct, to Cross car beam. , 5 Nm



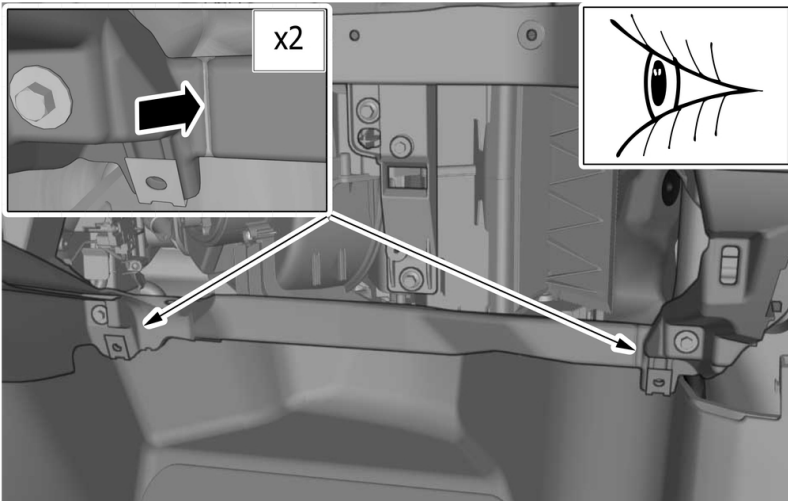
Undo the hose from the connection.
Remove the marked part.



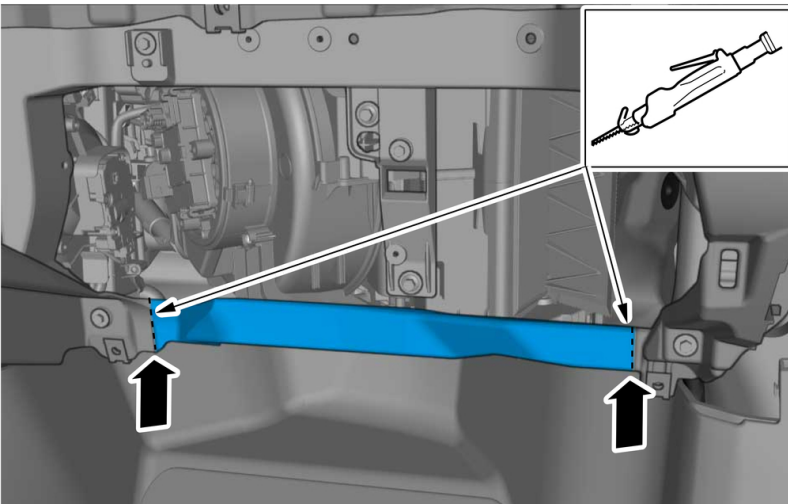
Remove the screw.
Remove the marked part.

Torque:

Air duct, to Cross car beam. , 5 Nm

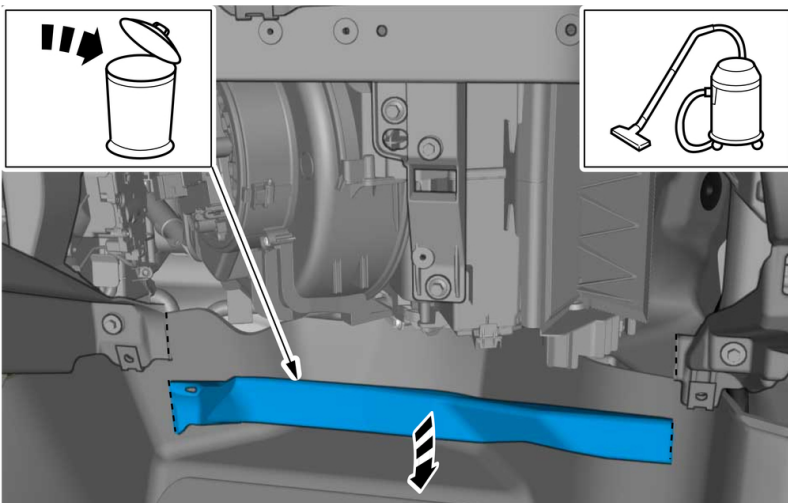


Note! Orientation view

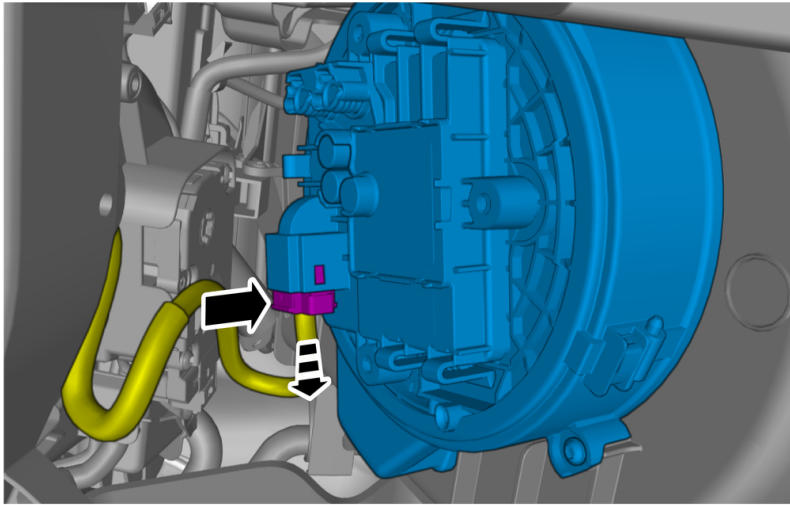


Warning! Wear safety goggles.

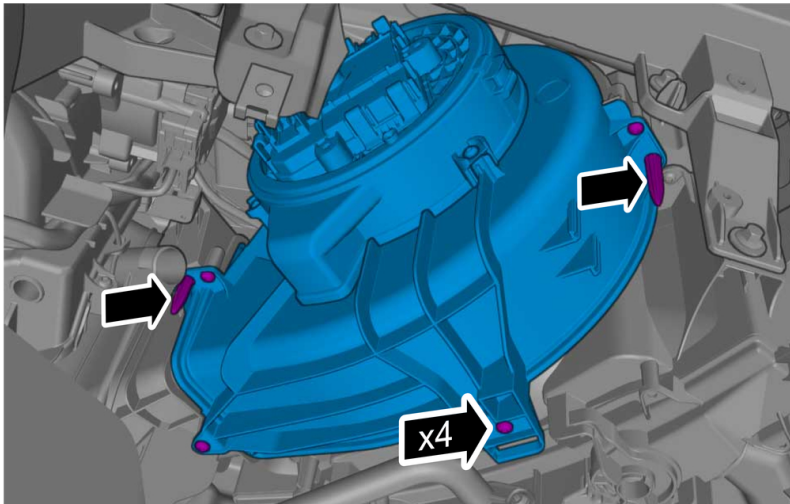
Use a keyhole saw



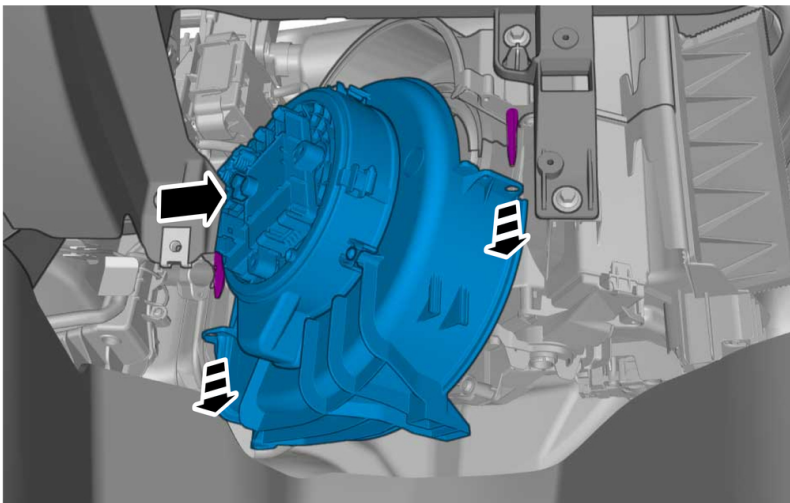
Remove the marked part.



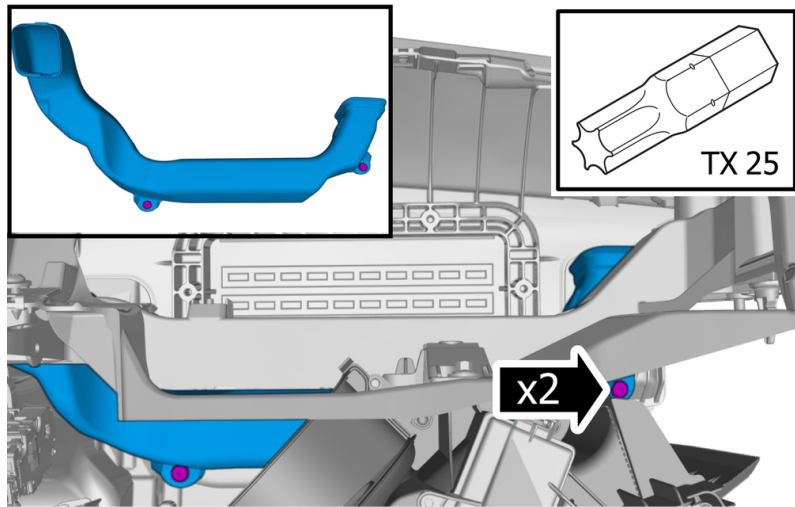
Disconnect the connector.



Remove the screws.

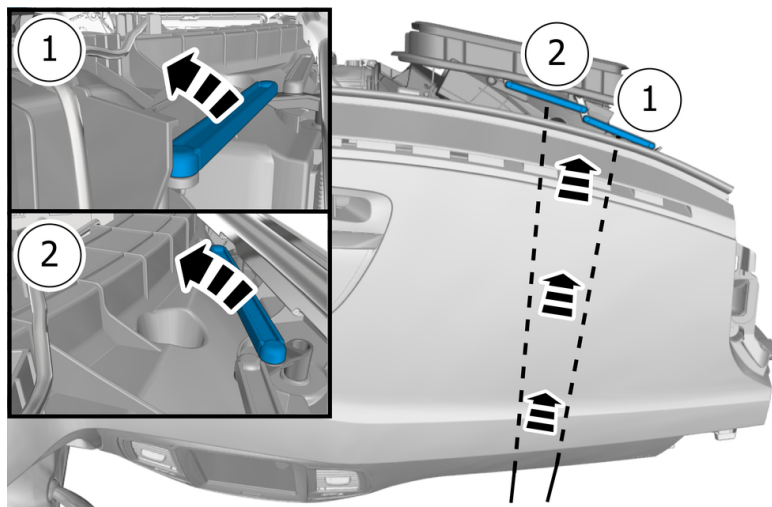
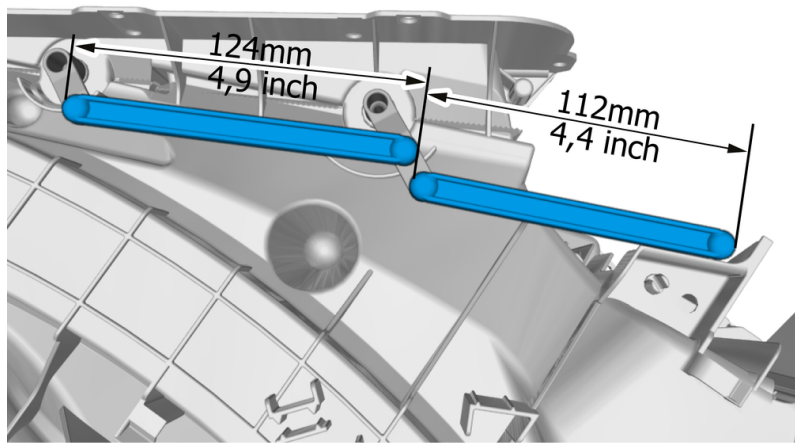


Remove the part carefully
Remove the marked part.



Remove the screws.
Remove the part carefully

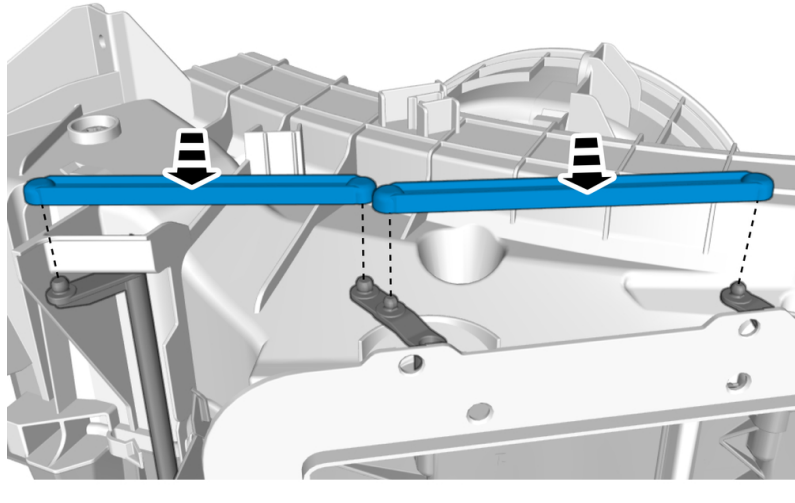
Note! Orientation view



Remove the marked detail/details.
Use hands only.

Installation

Note! Orientation view



To install, reverse the removal procedure.