



Service Update

SU1901 All American Surge Tank Fill Neck Improvement

Models Affected: 2010 thru 2021 All American and TX4

Subject: This update provides information on the new surge tank fill necks for All American and TX4

WARNING: Always follow all Federal, State, Local and Shop safety standards and use proper safety equipment, and thoroughly read and understand all instructions before performing these procedures.

Park bus on level surface, apply parking brake, turn off ignition key, and chock wheels.

Allow engine coolant to cool before installing.

Parts/Items Needed:

10066291- Kit, Neck, Surge Tank

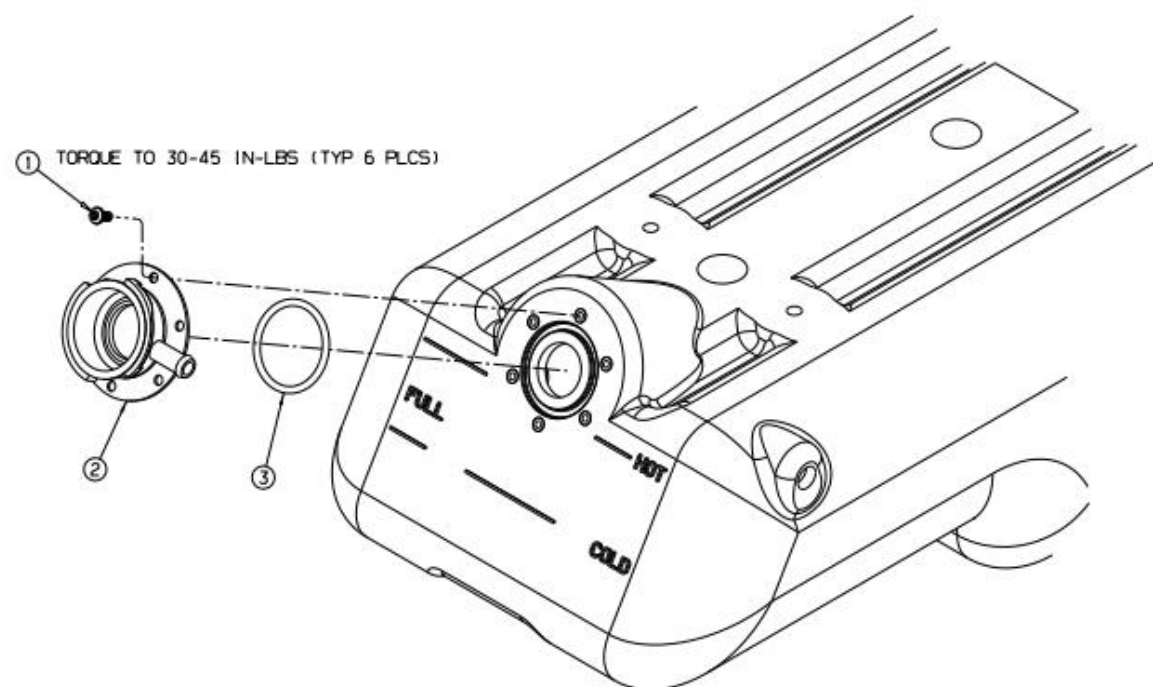
Kit contains:

Item Number	Part Number	Description	Quantity
1	10065220	CAPSCREW, 8X .375, 6-LOBE PAN	6
2	10059949	NECK, FILLER, SURGE TANK RE/FE	1
3	10005692	O-RING, NECK, FILLER, SURGE TANK	1

Instructions:

There is a new kit available from Part Sales; 10066291 - Kit, Neck, Surge Tank. This kit is available for use with the All American & TX4 surge tanks.

- Remove and discard existing neck from tank
- Install new neck using items in Kit 10066291 Kit, Neck, Surge Tank



Note: Tank shown for reference only, neck kit will fit various tanks.