



SIB 52 22 19

2019-12-13

NOISE DURING FORWARD / BACK SEAT ADJUSTMENT OVER THE ENTIRE LENGTH OF TRAVEL

This Service Information Bulletin (Revision 1) replaces SI B52 22 19 **dated September 2019**.

What's New (Specific text highlighted):

- Model section – Affected production range added

MODEL

F39 (X2 Sports Activity Coupe)	F48 (X1 Sports Activity Vehicle)	G29 (Z4 Roadster)
Vehicles produced from April 7, 2019 to June 28, 2019		

SITUATION

A loud screeching noise can be heard from the front driver’s or passenger’s seat during forward/back seat adjustment.

For a sound file of the noise, refer to video **BV52 16 19_Seat Noise.MOV**

CAUSE

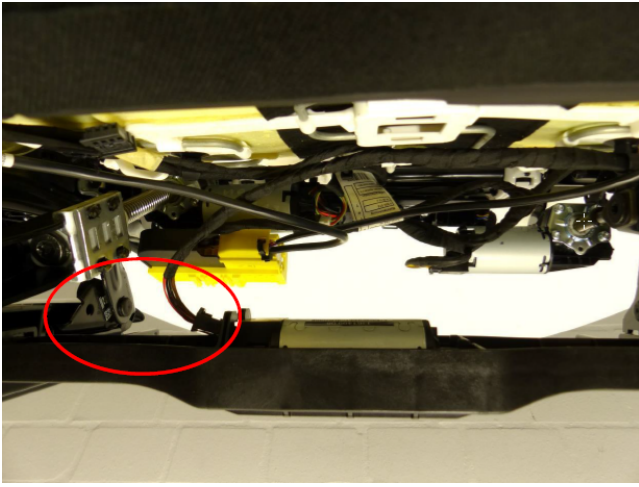
Insufficient lubrication of the flexible drive shafts of the seat adjustment motor.

CORRECTION

The flexible shafts of the seat must be lubricated with P/N 83 23 9 407 810 Grease (NBU 12K).

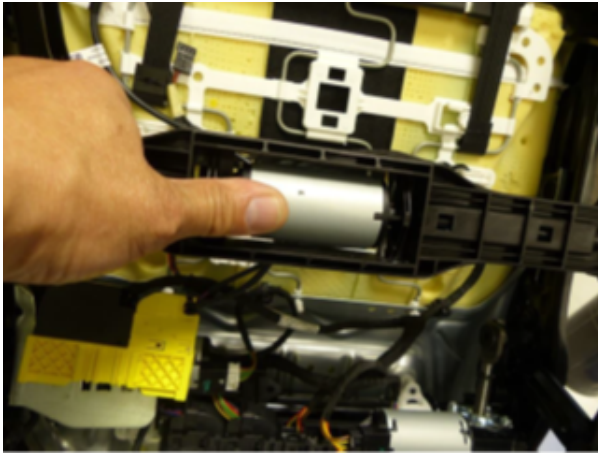
PROCEDURE

<p>See video BV52 17 19_Seat Motor Removal and Install.AVI</p>	<p>The entire procedure is shown in the video link below. The following pictures show a step by step description of what is seen in the video.</p>
<p>Remove the Driver’s and / or Passenger’s seat.</p> <p>Refer to Repair Instruction:</p> <ul style="list-style-type: none"> • 52 13 001 Driver’s seat • 52 16 001 Passenger’s seat <p>Make sure the seat mounting hardware is replaced as per the Repair Instruction.</p> <p>The seat can be worked on while still in the vehicle. It is not required to totally remove it from the vehicle to access the seat motor.</p>	
	<p>Disconnect seat motor electrical connector.</p>

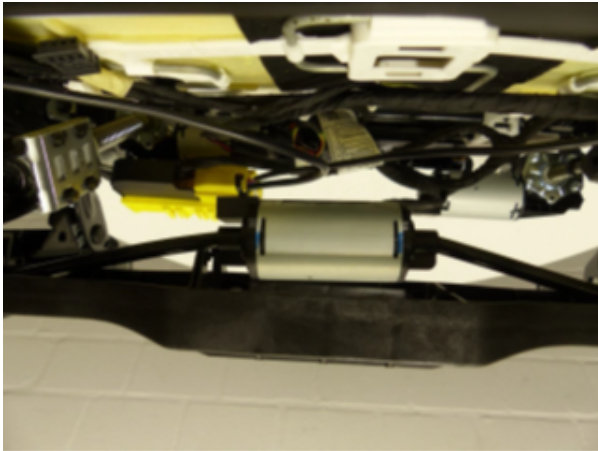


Remove the seat motor by pressing up from beneath.

- First remove the electrical connector side from the plastic tray



Remove the motor by sliding the drive cables out of both sides.

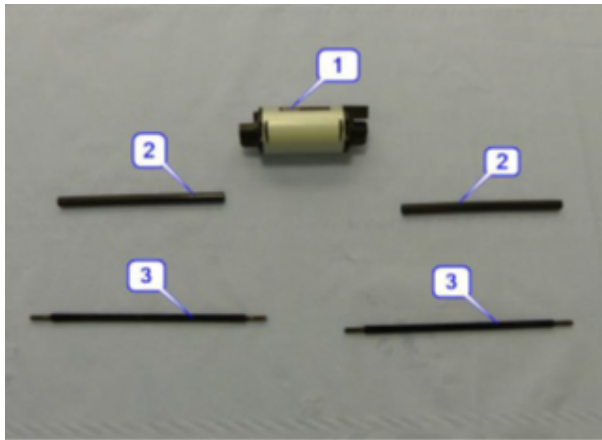


Remove the drive shafts from the seat track assembly.

Slide the inner flexible drive shaft out of the outer housing on the cable (2x).

This picture shows the disassembled motor and drive shafts.

1. Motor

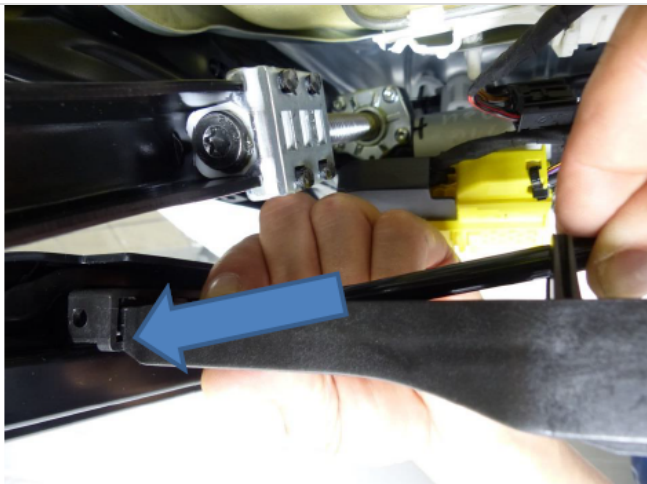


2. Outer housing of the cable
3. Flexible drive shafts



Lubricate the flexible drive shaft over its entire length using a lint-free cloth and P/N 83 23 9 407 810 Grease (NBU 12K)

Reassemble the flexible drive shaft into the outer housing for the cable (2x).



Insert the flexible drive shaft on an angle into the seat track assembly.

- Ensure the flexible shaft is fully seated into the square recess
- Leave the other end of the cable sticking up to ease in installing the seat motor.

Repeat for the opposite side.

Reinstall the motor.

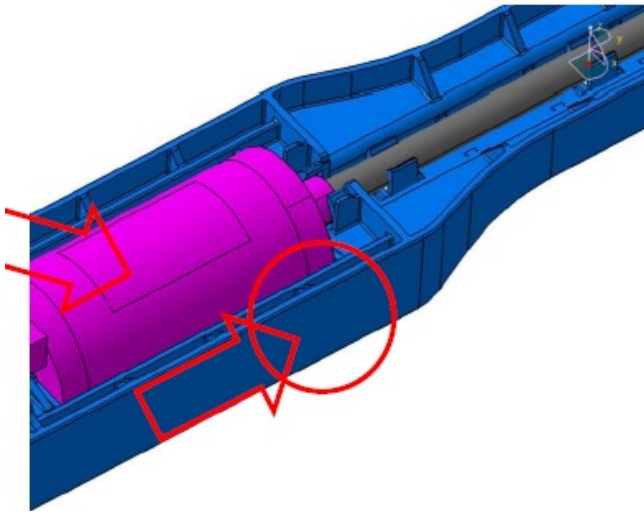
- First install the flexible drive cable into the motor
- Ensure the flexible shaft is fully seated into the square recess

Repeat for the second drive cable.



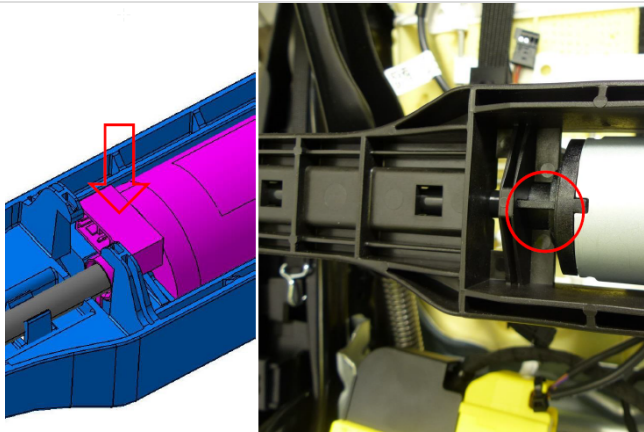
Press the motor down into the plastic housing (the bottom is open so you can manipulate it into place from top and bottom), sliding the side opposite from the electrical connector in first. The motor will click into place.

The drive cable will also click into place when pressed down.



When seating the side with the electrical connector, slide the connector under a small tab as seen at left.

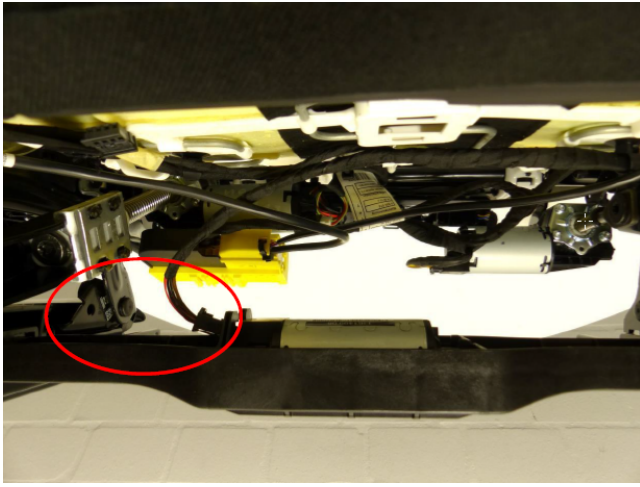
The drive cable will also click into place when pressed down.



Reconnect seat motor electrical connector.

Reinstall the Driver's and / or Passenger's seat.

Make sure the seat mounting hardware is replaced and torqued as per the Repair



Instruction.

PARTS INFORMATION

Obtain and confirm the part numbers for your specific vehicle by entering the chassis number in either ETK or AIR which takes into account specific equipment and/or options.

Part Number:	Description:	Quantity:
Refer to ETK	Seat Mounting Bolts	4 or 8 as needed
AND		
83 23 9 407 810	Grease (NBU 12K) (100g)	Sublet as needed

WARRANTY INFORMATION

Covered under the terms of the BMW New Vehicle Limited Warranty for Passenger Cars and Light Trucks.

Defect Code:	5210903900
---------------------	-------------------

The vehicle is already in the workshop:

Work Pkg	Labor Operation	Description (Plus work)	Labor Allowance
# 1	00 68 619	Rework flexible seat adjustment to the left or right (Plus work)	5 FRU
Or:			
# 2	00 68 620	Rework flexible seat adjustment to the left and right (Plus work)	9 FRU

Or:

The vehicle arrives at your center for this repair (No other Main work will be performed/claimed during this workshop visit):

Work Pkg	Labor Operation	Description (Main work)	Labor Allowance
# 3	00 68 091	Rework flexible seat adjustment to the left or right (Main work)	7 FRU
Or:	OR		
# 4	00 68 092	Rework flexible seat adjustment to the left and right	11 FRU

	right (Main work)	
--	--------------------------	--

Claim Repair Comments

Unless additional related/in conjunction work was required (not addressed and/or included in one of the options provided above), then only reference the SIB number and the work package (Pkg) number performed in the RO technician notes and in the claim comments (For example: B52 22 19 WP 1), unless otherwise required by State law.

And, as needed:

Sublet – Bulk Materials (RO and Claim Comments Required):

Sublet Code 4	Up to \$5.00	Reimbursement for the repair-related bulk material (Do not use the BMW part number for claim submission)
----------------------	--------------	--

Sublet reimbursement calculation for claiming the applicable repair-related bulk material (BMW part number) is at the dealer net price amount for the quantity used plus your center's handling.

Enter this material cost in sublet and itemize the amount on the repair order and in claim comment section.

Supporting Materials

Videos

[52 16 19](#)

[52 17 19](#)