

LTB01287NAS3



TECHNICAL BULLETIN

01 NOV 2019

© Jaguar Land Rover North America, LLC

NOTE: The information in Technical Bulletins is intended for use by trained, professional Technicians with the knowledge, tools, and equipment required to do the job properly and safely. It informs these Technicians of conditions that may occur on some vehicles, or provides information that could assist in proper vehicle service. The procedures should not be performed by 'do-it-yourselfers'. If you are not a Retailer, do not assume that a condition described affects your vehicle. Contact an authorized Land Rover service facility to determine whether this bulletin applies to a specific vehicle.

INFORMATION

This reissue replaces all previous versions. Please destroy all previous versions.

This bulletin supersedes TSB LTB01287NAS2/2019 dated 30 MAY 2019, which should either be destroyed or clearly marked to show it is no longer valid (e.g. with a line across the page). Only refer to the electronic version of this Technical Bulletin in TOPIx.

Changes are highlighted in blue

SECTION:

303-01

SUBJECT/CONCERN:

Vibration Felt In Passenger Compartment When Starting and/or Idling Engine

AFFECTED VEHICLE RANGE:

MODEL:	MODEL YEAR:	VIN:	ASSEMBLY PLANT:	APPLICABILITY:
Range Rover Velar (LY)	2018-2019	700000-799996	Solihull	INGENIUM I4 2.0L Petrol/INGENIUM I4 2.0L Diesel
Range Rover Velar (LY)	2019 Onwards	200017 Onwards	Solihull	INGENIUM I4 2.0L Petrol/INGENIUM I4 2.0L Diesel

MARKETS:

NORTH AMERICA

CONDITION SUMMARY:

SITUATION:

A vibration may be felt in the passenger compartment when starting the engine or when stationary with the engine at idle.

CAUSE:

The active engine mounts are subject to premature wear. A new service part is now available.

ACTION:

Follow the instructions below.

PARTS:

NOTES:

- An Electronic Product Quality Report (EPQR) must be submitted, including a clear photograph of the original damaged/leaking active engine mounts installed in the vehicle, for new active engine mounts (part numbers LR133315 and LR133316) to be released. See the service information section for an example photograph.
- Part numbers LR112414 and LR112416 may be re-used for installation if there are no signs of damage or wear.

PART NUMBER	DESCRIPTION	QUANTITY
LR133316	Active engine mount - Left	1
LR133315	Active engine mount - Right	1
LR073658	Exhaust manifold gasket - High Pressure (HP) turbocharger	1
LR073663	Exhaust manifold spacers and bolts - HP turbocharger	8
LR075627	Exhaust Gas Recirculation (EGR) pipe gasket - HP turbocharger	1
LR112414	Turbocharger gasket kit - HP turbocharger	1
LR073687	Upper oil return O-ring seal - HP turbocharger	1
LR073688	Lower oil return O-ring seal - HP turbocharger	2
LR112416	Turbocharger outlet pipe O-ring kit - HP turbocharger	1
LR073671	Turbocharger oil feed banjo washers - HP turbocharger	2
LR073723	Turbocharger to exhaust manifold gasket - Low Pressure (LP) turbocharger	1
LR073687	Upper oil return O-ring seal - LP turbocharger	1
LR073688	Lower oil return O-ring seal - LP turbocharger	1
LR073671	Turbocharger oil feed banjo washers - LP turbocharger	2
LR084673	EGR cooler O-ring - LP turbocharger	1
LR083961	EGR cooler gasket - LP turbocharger	1
LR072251	Catalytic converter turbocharger gasket	1
LR111338	Catalytic converter turbocharger clamp	1
LR118293	EGR gasket	1
LR085942	Diesel Particulate Filter (DPF) to exhaust gasket	1
LR082314	EGR pipe to EGR valve gasket	1
LR083963	EGR pipe to intake manifold O-ring	1
LR105592	Thermostat to cylinder block gasket	1
LR133927	Vacuum pipe attachment - Right	1

PART NUMBER	DESCRIPTION	QUANTITY
LR133928	Vacuum pipe attachment - Left	1

WARRANTY:

NOTES:

- Repair procedures are under constant review, and therefore times are subject to change; those quoted here must be taken as guidance only. Use TOPIx to obtain the latest repair time.
- The JLR claims submission system requires the use of causal part numbers. Labor only claims must show the causal part number with a quantity of zero.

DESCRIPTION	SRO	TIME (HOURS)	CONDITION CODE	CAUSAL PART
Mounting - Set - Renew - Ingenium I4 2.0L diesel (180PS)	12.45.20	1.8	01	T4A31807
Mounting - Set - Renew - Ingenium I4 2.0L petrol	12.45.20	1	01	T4A31807
Active engine mount vacuum hose - Modification	12.45.89.31	0.1	01	T4A31807

NOTE:

Normal Warranty procedures apply.

SERVICE INFORMATION:

NOTE:

An EPQR must be submitted, including a clear photograph of the original damaged/leaking active engine mounts installed in the vehicle, for new active engine mounts (part numbers LR133315 and LR133316) to be released.

1.



E246391

For the release of the new active engine mounts, the parts team will require a photograph of the damaged/leaking active engine mounts. Make sure a clear photograph is taken, with the active engine mount still installed to the vehicle, as shown in the illustration.

2.



Example photograph of an excessively worn and/or leaking active engine mount.

3.



Example photograph of an excessively worn and/or leaking active engine mount.

SERVICE INSTRUCTION:

NOTES:

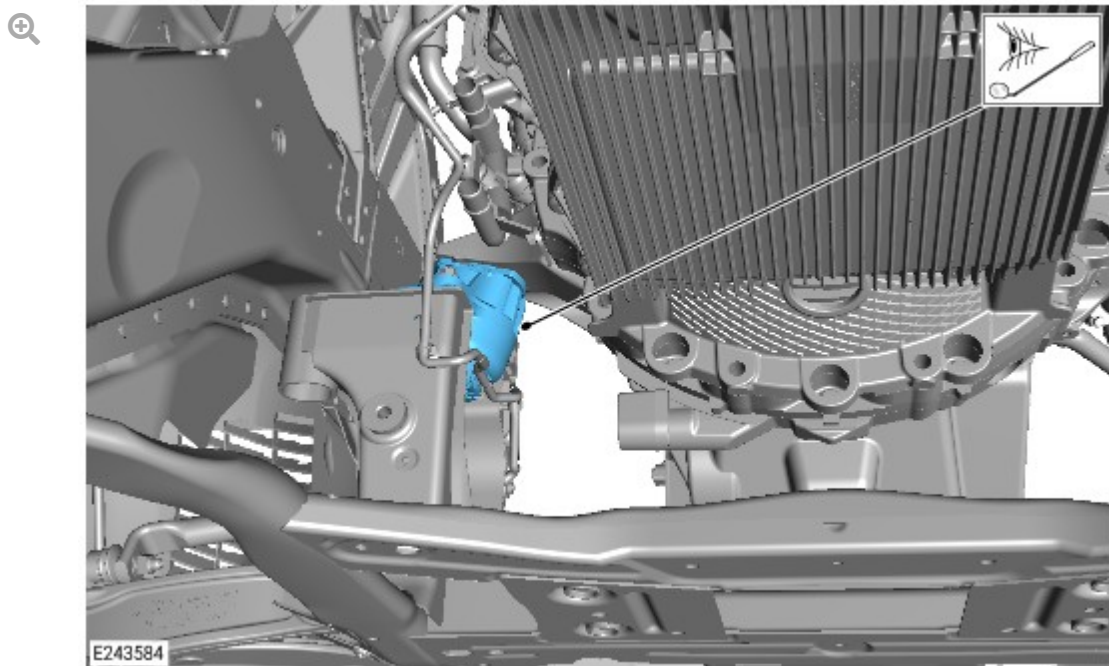
- Some components may be shown removed to provide extra clarity.
- Some variation in the illustrations may occur, but the essential information is always correct.

1. Remove the undershield, (see TOPlx workshop manual section 501-02: Removal and Installation - Engine Undershield).
-

2.

NOTE:

Repeat this step for the opposite side.



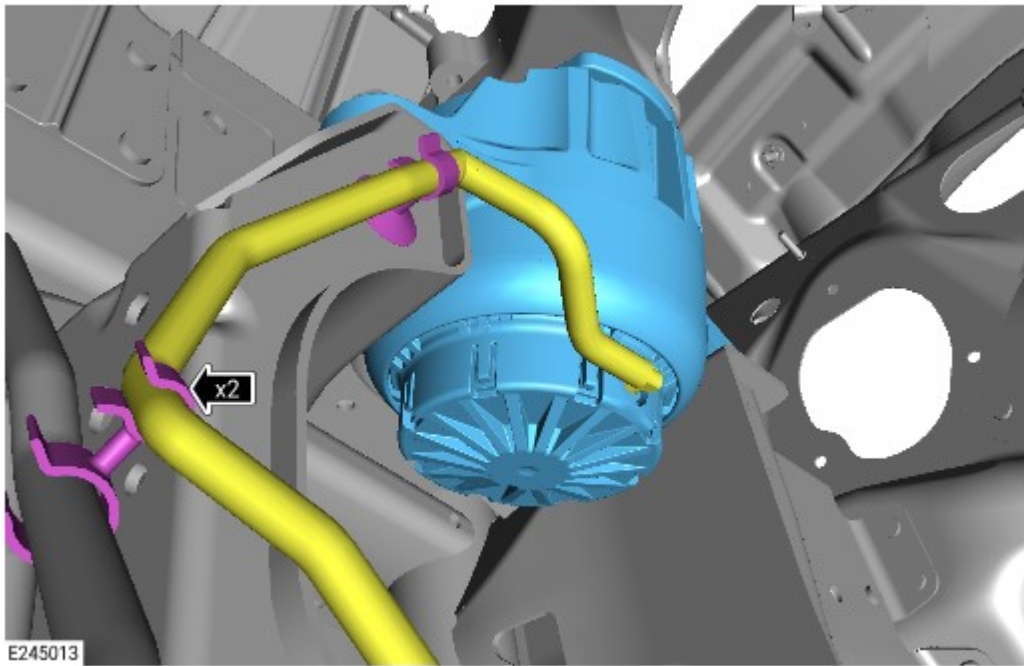
Inspect the active engine mount for signs of excessive wear and/or leaking fluid.

- ■ If **both** active engine mounts show **no** signs of excessive wear and/or leaking fluid, **do not continue with this technical bulletin**, as the content of this technical bulletin does not directly relate to the customer's concern. Continue to diagnose the vehicle using the TOPIx workshop manual, (see TOPIx workshop manual section 303-00: Diagnosis and Testing - Engine).
- ■ If **any** of the active engine mounts show **any** signs of excessive wear and/or leaking fluid, **continue to step 3**.

3. Renew **both** active engine mounts, (see TOPIx workshop manual section 303-01: Removal and Installation - Left/Right Engine mount).

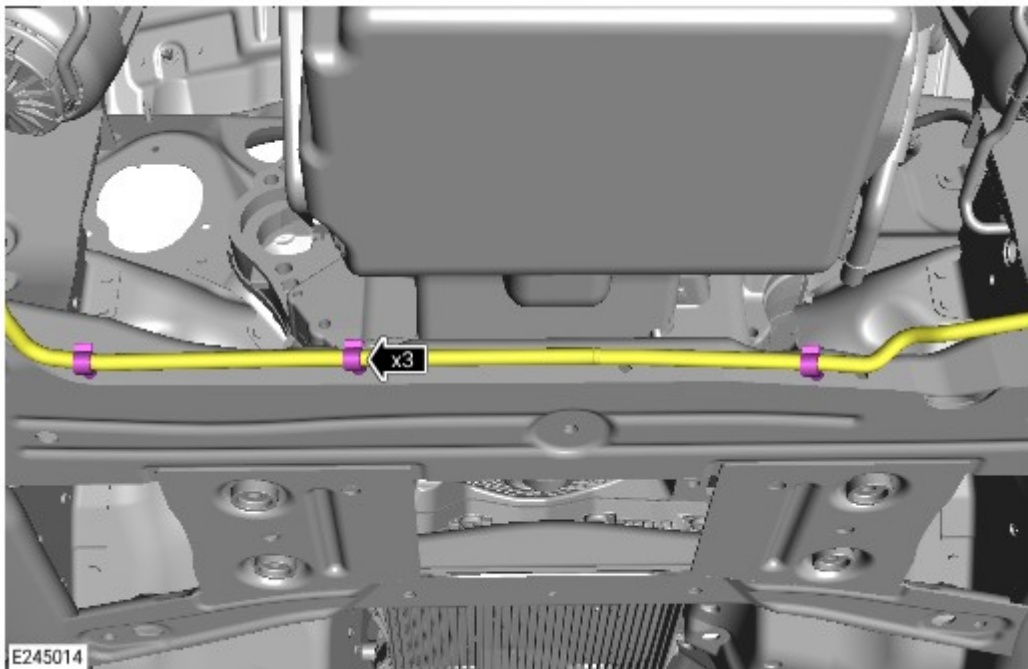
- ■ Do not install the undershield during this step.
 - ■ Do not install the active engine mount vacuum hose to the active engine mounts during this step.
-

4.



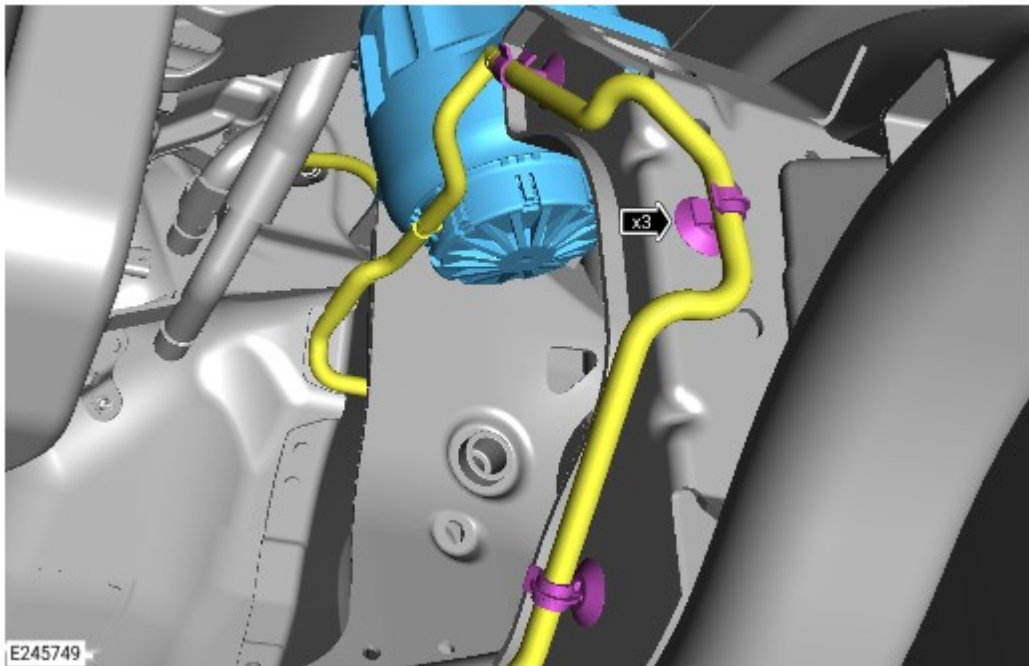
Disconnect the active engine mount vacuum hose from the fasteners.

5.



Disconnect the active engine mount vacuum hose from the fasteners.

6.

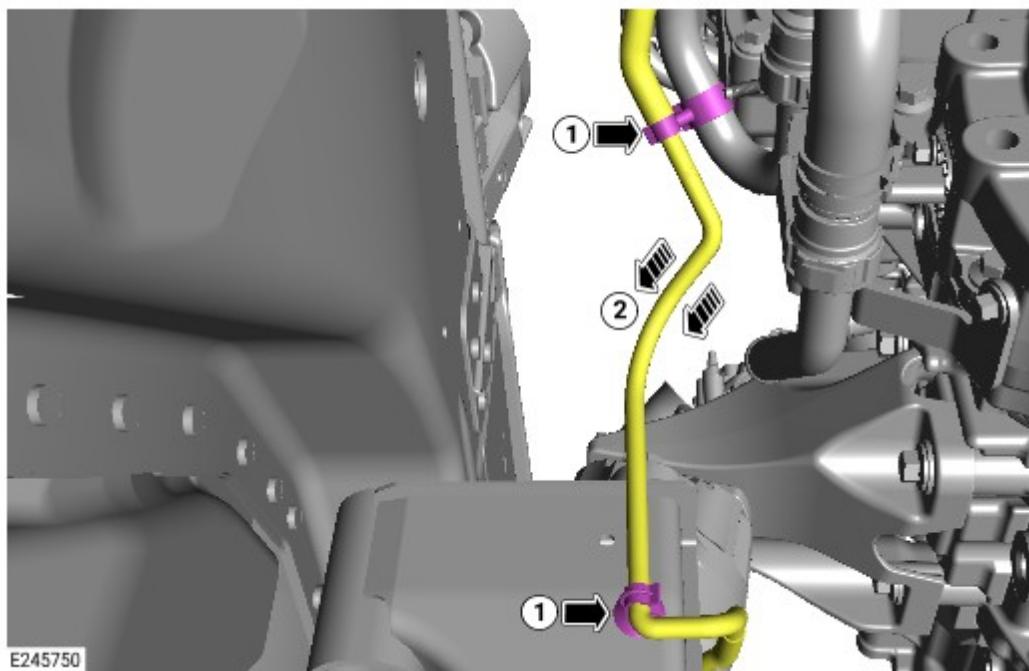


Disconnect the active engine mount vacuum hose from the fasteners.

7.

NOTE:

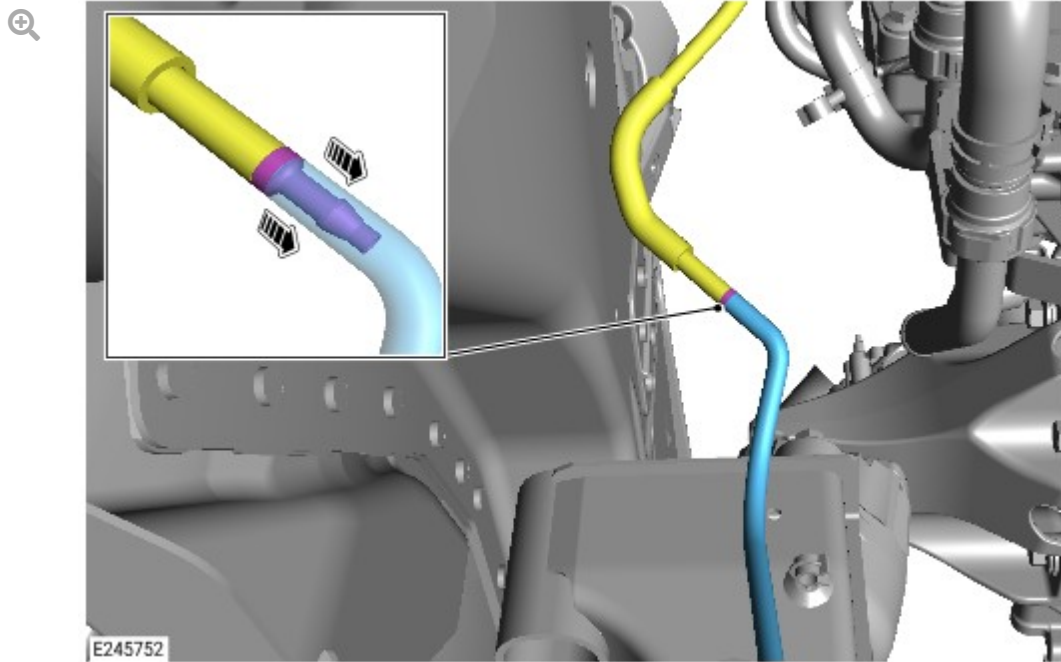
Do not pull on the active engine mount vacuum hose.



1 - Disconnect the active engine mount vacuum hose from the fasteners.

- ■ 2 - Allow the active engine mount vacuum hose to reposition downward.

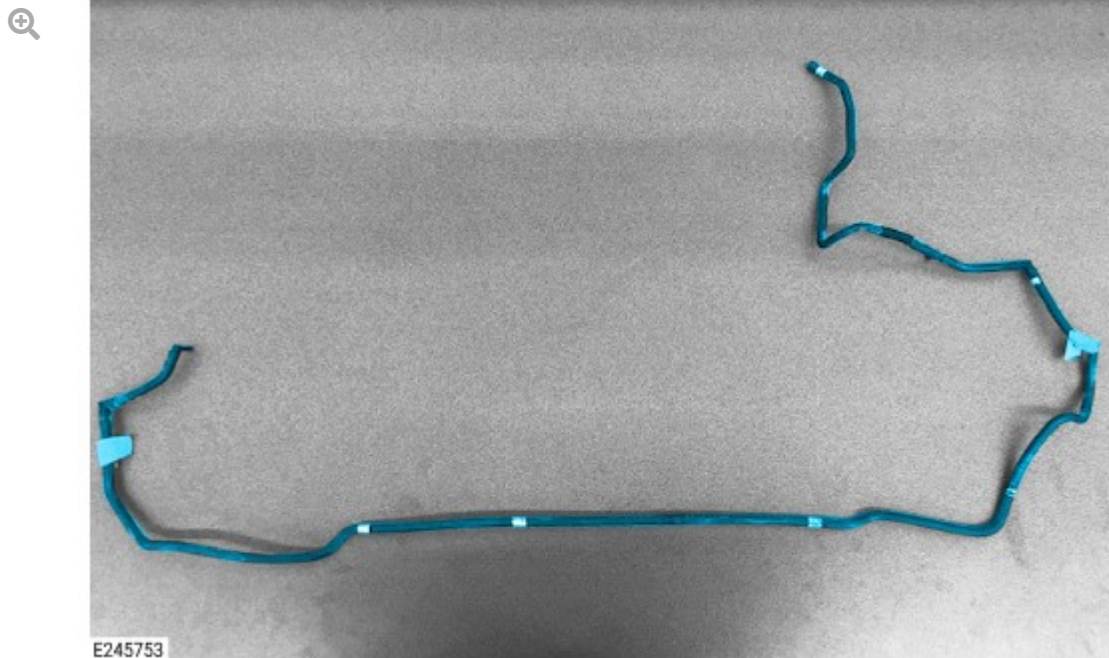
8.



Separate the active engine mount vacuum hose at the connector shown in the illustration.

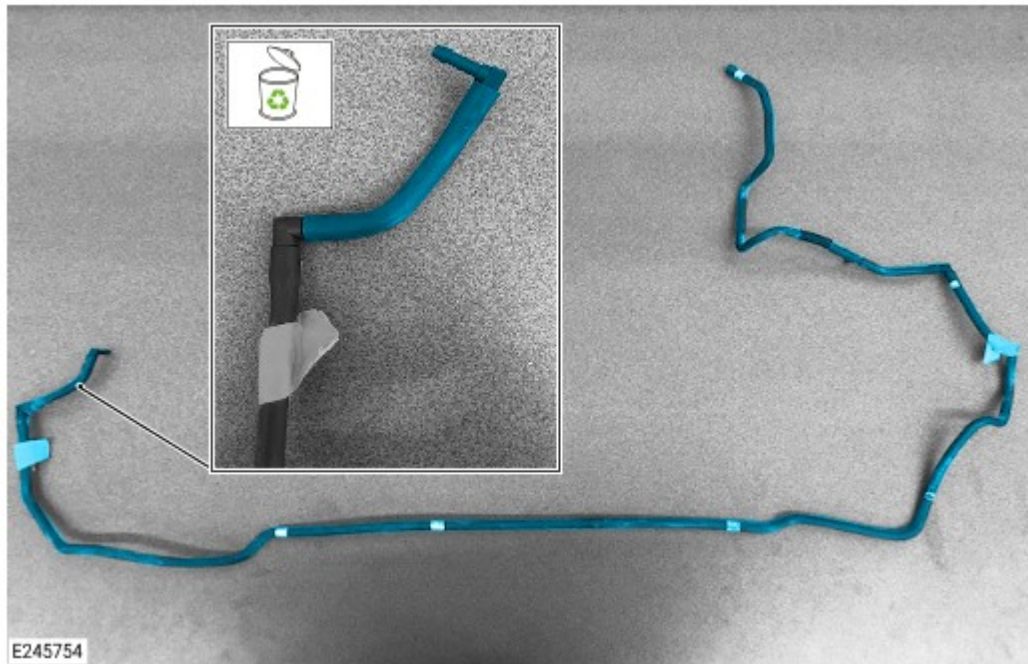
- ■ Remove the active engine mount vacuum hose from the vehicle.

9.



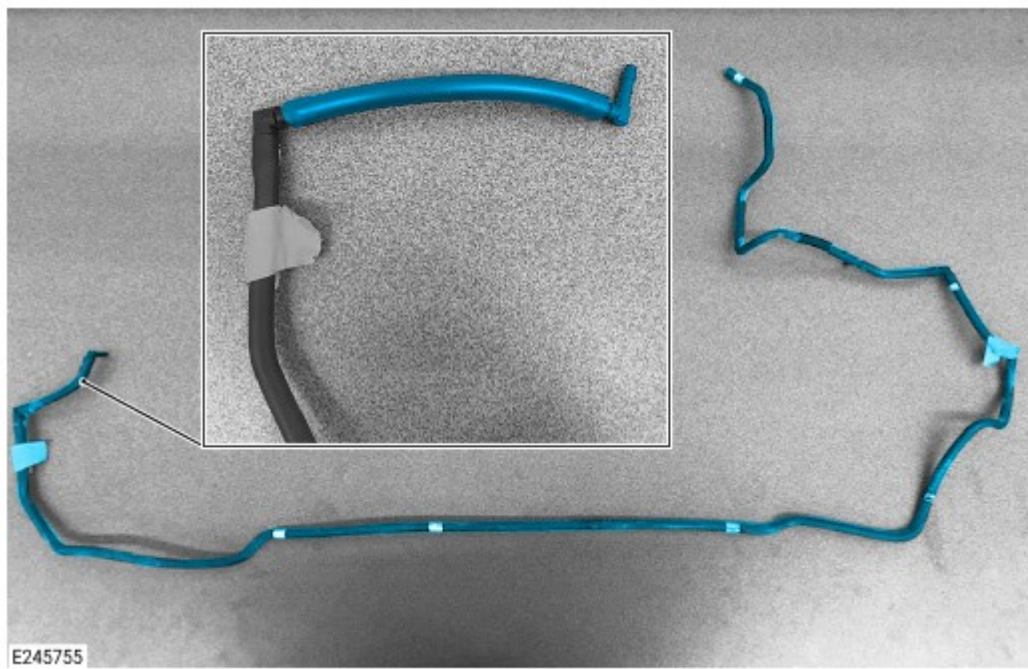
The illustration shows the active engine mount vacuum hose removed from the vehicle.

10.



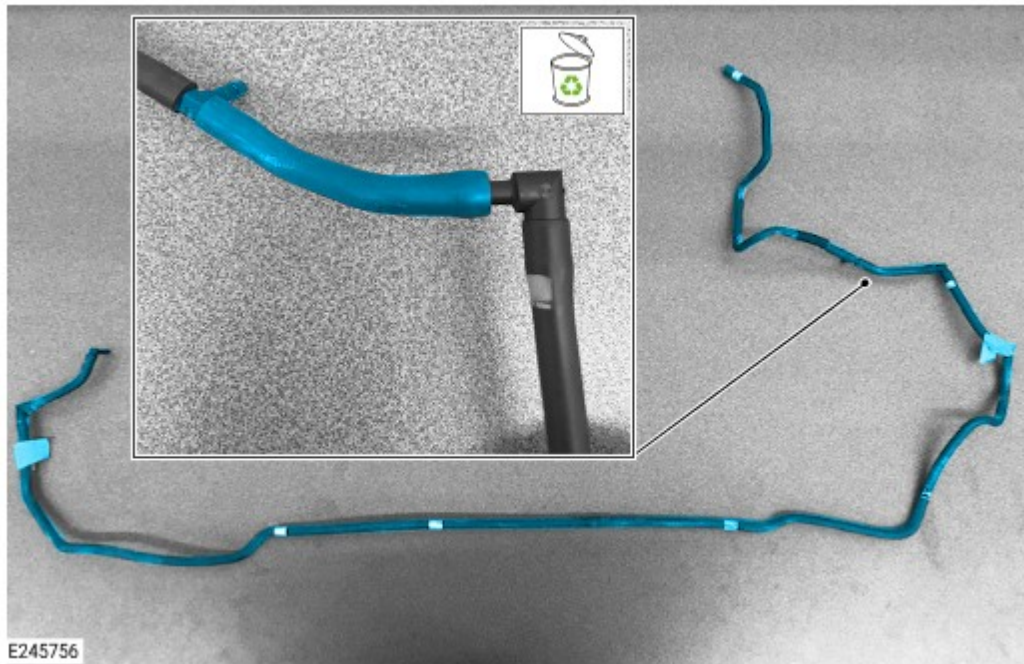
Remove and discard the section of active engine mount vacuum hose.

11.



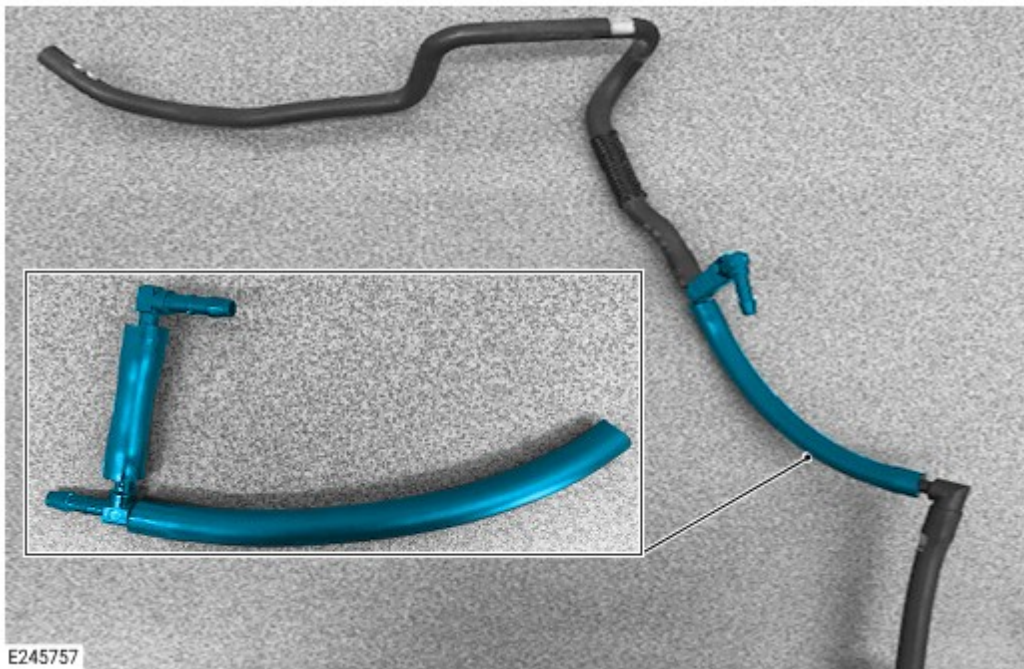
Install the section of active engine mount vacuum hose, as shown in the illustration.

12.



Remove and discard the section of active engine mount vacuum hose.

13.



Install the section of active engine mount vacuum hose, as shown in the illustration.

14. Reverse steps 4 to 8.

15.

NOTE:

Repeat this step for the opposite side of the vehicle.

Install the active engine mount vacuum hose to the active engine mount.

-
16. Install the under shield (see TOPIx Workshop Manual section 501-02: Removal and Installation - Engine Undershield).