



Condition

ATTENTION:

**THIS IS A TECH TIP, NOT A TECHNICAL BULLETIN.
TECH TIPS ARE NOT ASSOCIATED WITH WARRANTY CLAIMING.**

Applicable Vehicles

Model(s)	Year	Eng. Code	Trans. Code	VIN Range From	VIN Range To
Jetta, Golf, Golf Sportwagen, Passat, Beetle, Beetle Convertible	2014 - 2018	1.8L - 2.0L (CPKA, CPLA, CPPA, CPRA, CXBA, CXBB, CXCA, CXCB, DDSA, DDSB)	All	All	All

Revision Table

Instance Number	Published Date	Version Number	Reason For Update
2057185/1	11/1/19	15-19-02TT	Original publication.

Technical Background

Replacement camshaft bracket installation.

Service

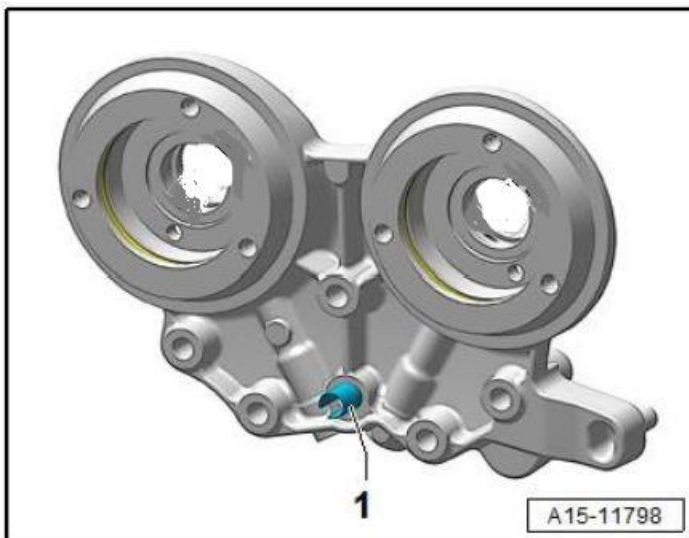
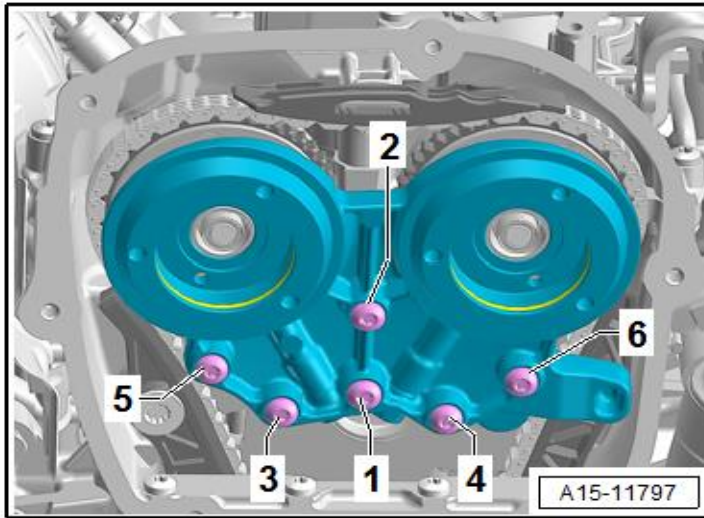


Figure 1

When replacing a camshaft bracket on a 1.8L OR 2.0L engine, you may find an adapter sleeve on the replacement bracket (figure 1).

If a new bearing bracket with adapter sleeve will be installed, it must be inspected before installing onto the cylinder head.

Check for a hole in the cylinder head for the adapter sleeve. If there is no hole for the adapter sleeve in the cylinder head, the sleeve should be removed and a short bolt used in its place, which is what is originally installed.



A longer bolt is utilized only if there is a hole in the cylinder head to utilize the sleeve (figure 2).

Figure 2

Additional Information

© 2019 Volkswagen Group of America, Inc. All rights reserved. Information contained in this document is based on the latest information available at the time of printing and is subject to the copyright and other intellectual property rights of Volkswagen Group of America, Inc., its affiliated companies and its licensors. All rights are reserved to make changes at any time without notice. No part of this document may be reproduced, stored in a retrieval system, or transmitted in any form or by any means, electronic, mechanical, photocopying, recording, or otherwise, nor may these materials be modified or reposted to other sites, without the prior expressed written permission of the publisher.