



# Technical Service Bulletin

SUBJECT:			No: <b>TSB-19-52A-004</b>
<b>EXCESSIVE INTERMITTENT MOVEMENT IN DRIVER'S POWER SEAT - REVISED</b>			DATE: <b>October 2019</b>
			MODEL: <b>2007-19 Outlander, 2018-19 Outlander PHEV, 2011-19 Outlander Sport/RVR</b>
CIRCULATE TO:	<input type="checkbox"/> GENERAL MANAGER	<input checked="" type="checkbox"/> PARTS MANAGER	<input checked="" type="checkbox"/> TECHNICIAN
<input checked="" type="checkbox"/> SERVICE ADVISOR	<input checked="" type="checkbox"/> SERVICE MANAGER	<input checked="" type="checkbox"/> WARRANTY PROCESSOR	<input type="checkbox"/> SALES MANAGER

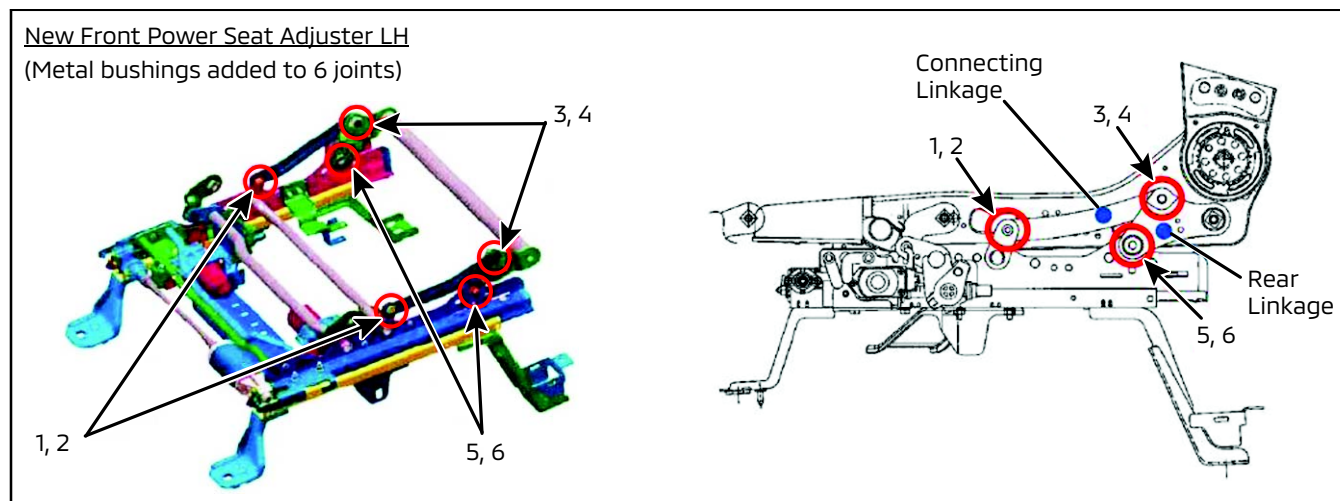
*This bulletin supersedes TSB-17-52A-003, issued May, 2017, to add Outlander PHEV and additional model years for Outlander and Outlander Sport, and to update parts and procedures to help resolve the power seat movement. Revisions are italicized and indicated by ◀.*

## PURPOSE

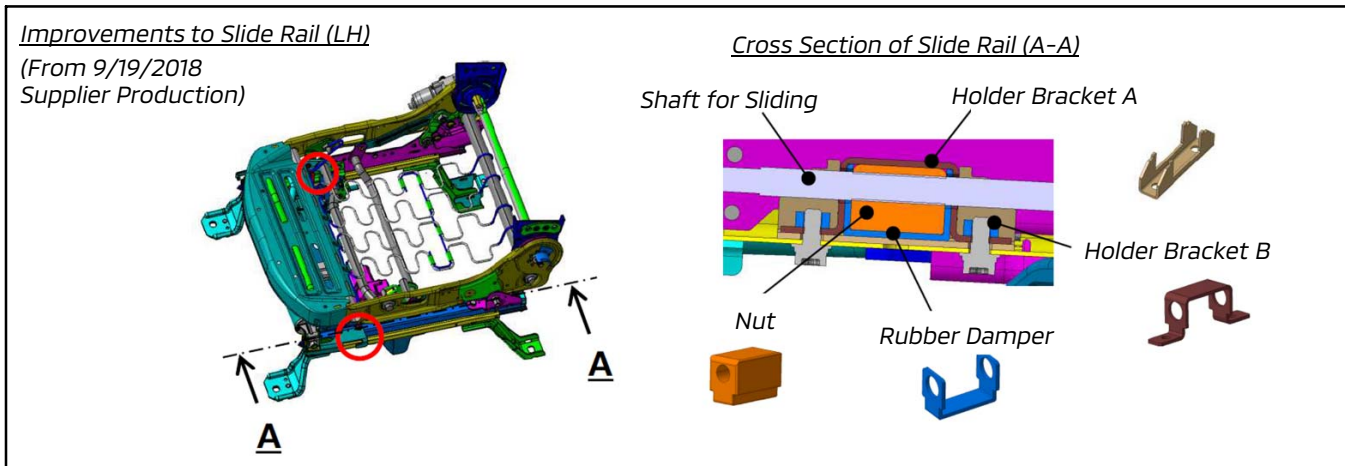
- ▶ Some customers may notice excessive intermittent movement of the driver's power seat, typically when accelerating or decelerating. Further production changes have been implemented to address this seat movement.
- ▶ This TSB instructs dealers to replace the seat adjuster assembly and power seat harness in affected vehicles with improved countermeasure parts. Due to a change in the reclining motor, the new longer harness and connector are necessary.

## BACKGROUND

- ▶ Height adjustment linkages in the seat adjuster assembly may loosen over time with normal driving and allow movement. A new seat adjuster was implemented in production at the supplier from March 2, 2016, and has added metal bushings at the 6 rotational connections on the seat frame, as shown below.



The clearance of the slide rail and rubber damper has also been changed in production at the supplier starting September 19, 2018. Refer to the VINs listed in Affected Vehicles.



## AFFECTED VEHICLES

### Outlander:

- All 2007 - 2016 Outlander
- 2017 - 2019 Outlander built **before** and **including** the ending VINs as listed below:

Model Year	Country	Plant*	Engine	Ending VIN
2017 - 2019	USA	Okazaki	2.4 L	KZ013434
			3.0 L	KZ013608
	Canada		2.4 L	KZ604199
			3.0 L	KZ604195
2016	Mexico		2.4 L	GZ036168
2018 - 2019	USA	PMC	2.4 L	KJ000744
			3.0 L	KJ000743
2018	Canada		2.4 L	JJ601177
			3.0 L	JJ601172

\* To identify production plant, see 7<sup>th</sup> digit from end of VIN. Z = Okazaki, U = Mizushima, J = PMC

### Outlander PHEV:

- 2018 - 2019 Outlander PHEV built **before** and **including** the ending VINs as listed below:

Model Year	Country	Plant	Ending VIN
2018 - 2019	USA	Okazaki	KZ034619
	Canada		KZ606610

\* To identify production plant, see 7<sup>th</sup> digit from end of VIN. Z = Okazaki, U = Mizushima, J = PMC

**Outlander Sport:**

- 2011 - 2019 Outlander Sport/RVR built **before** and **including** the ending VINs listed below:

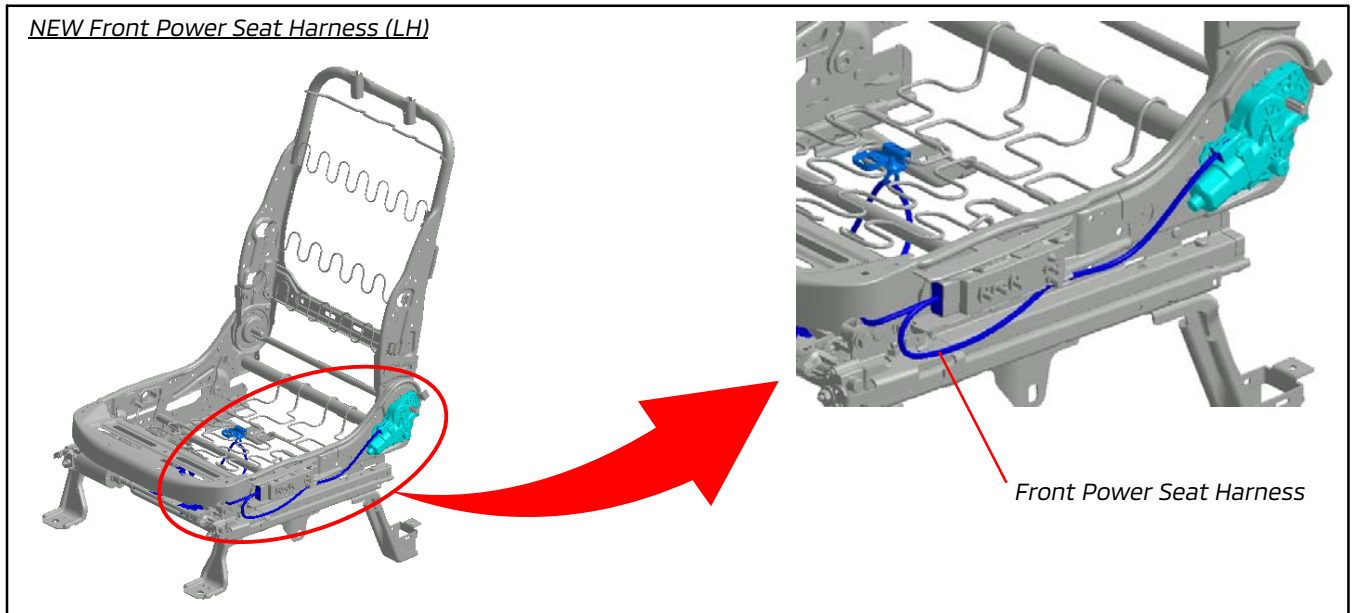
Model Year	Country	Engine	Ending VIN
2011 - 2019	USA	2.0 L	KU012241
		2.4 L	KU010778
	Canada	2.0 L	KU601552
		2.4 L	KU601555

**REPAIR PROCEDURE**

- If a customer *reports excessive* movement of the driver's power seat on the vehicles listed in this TSB, replace the front power seat adjuster assembly *and the power seat harness* with the new countermeasure parts.  
Refer to the Parts Information section in this TSB for the correct part number for each vehicle.

For detailed replacement instructions, refer to the applicable Service Manual:

- Group 52A-Interior -> Seat Assembly -> Front Seat Assembly -> Removal and Installation
- Group 52A-Interior -> Seat Assembly -> Front Seat Assembly -> Disassembly and Reassembly.



- Verify proper operation of all front power seat assembly functions, and verify that the movement concern has been resolved.

## PARTS INFORMATION

Use only the Genuine Mitsubishi Parts listed below.

**NOTE: Refer to Affected Vehicles section for ending VINs of vehicles needing countermeasure parts.**

Description	Model	Model Year	NEW Part Number	Old Part Number	Qty
Front Power Seat Adjuster, LH	Outlander	2007-2019	6922A207	6922A119	1
	Outlander PHEV	2018-2019	6922A211	N/A	1
	Outlander Sport/RVR	2011-2019	6922A237	6922A037	1

Description	Model	Model Year	Part Number	Qty
Front Power Seat Harness, LH	Outlander	2007-2019	6979A709	1
	Outlander PHEV	2018-2019		1
	Outlander Sport/RVR	2011-2019		1

## WARRANTY INFORMATION

This bulletin is supplied as technical information only and is not an authorization to repair. If an affected vehicle is reported with the described condition, diagnose the condition, repair as described in this bulletin and submit a normal warranty claim using the following information.

Labor Operation Code	Description	Nature Code	Cause Code	Model	Model Year	Time Allowance
52115210	Replace Front Power Seat Adjuster Assembly & Seat Harness	60D	450	Outlander	2007-2013	1.1
					2014-2019	1.3
				Outlander PHEV	2018-2019	1.3
				Outlander Sport/RVR	2011-2019	1.3

Warranty Coverage: 5/60 Basic Coverage