

November 5, 2019

Version 2

Buzzing or Whining When Adjusting Front Seat Forward and BackwardSupersedes 19-029, dated November 4, 2019, to revise the information highlighted in **yellow**.**AFFECTED VEHICLES**

Year	Model	Trim	VIN Range
2013-19	Accord	ALL except LX	ALL
2018-19	Accord Hybrid		ALL
2014-15, 2017	Accord Hybrid	ALL	ALL
2014	Accord Plug-In Hybrid		ALL

REVISION SUMMARY**Under AFFECTED VEHICLES, 2013-19 Accord and 2018-19 Accord Hybrid trims were updated.****SYMPTOM**

There is a loud buzzing or whining when adjusting the driver's or front passenger's seat forward and backward.

POSSIBLE CAUSE

The flex cable in the seat adjustment mechanism is not correctly lubricated.

CORRECTIVE ACTION

Replace the flex cable assembly.

PARTS INFORMATION

Part Name	Order Part Number	Quantity
Flex Cable Assembly	81656-T2F-A31	1

CUSTOMER INFORMATION:The information in this bulletin is intended for use only by skilled technicians who have the proper tools, equipment, and training to correctly and safely maintain your vehicle. These procedures should not be attempted by "do-it-yourselfers," and you should not assume this bulletin applies to your vehicle, or that your vehicle has the condition described. To determine whether this information applies, contact an authorized Honda automobile dealer.

TOOL INFORMATION

Part Name	Part Number	Quantity
Snap-On Plastic Trim Tool (or equivalent)	SILTRIMTL10	1
Snap-On Trim Pad Remover (or equivalent)	ASG186BR	1

WARRANTY CLAIM INFORMATION

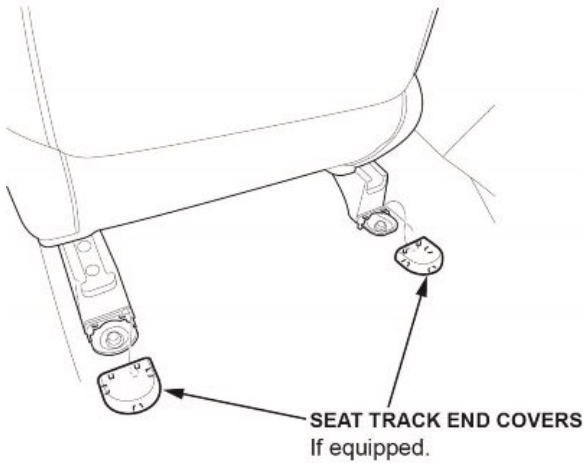
The normal warranty applies.

Operation Number	Description	Flat Rate Time	Defect Code	Symptom Code	Template ID	Failed Part Number
8511J5	Replace the driver's seat flex cable assembly.	0.5 hr	07409	04201	A19029A	81526-TVA-L11
8521J2	Replace the front passenger's seat flex cable assembly (includes weight sensor operation check).	0.6 hr	07409	04201	A19029B	81201-TBA-A61

Skill Level: Repair Technician

REPAIR PROCEDURE

1. Remove the seat track end covers to expose the rear seat mounting bolts.

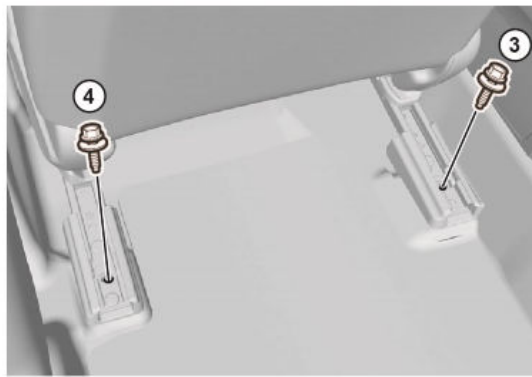


2. Remove the four seat mounting bolts.

FRONT SIDE

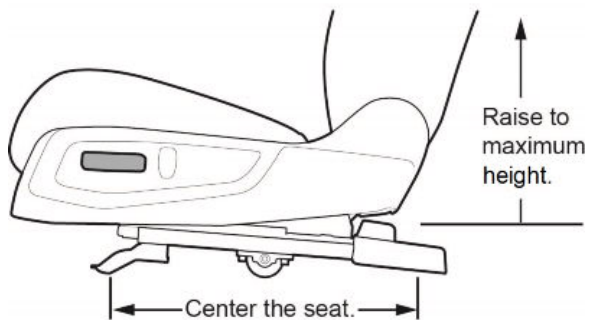


REAR SIDE



3. Prepare the seat for removal.

- Adjust the seat slide to the middle of its travel.
- Raise the seat to its maximum height (driver's seat only).



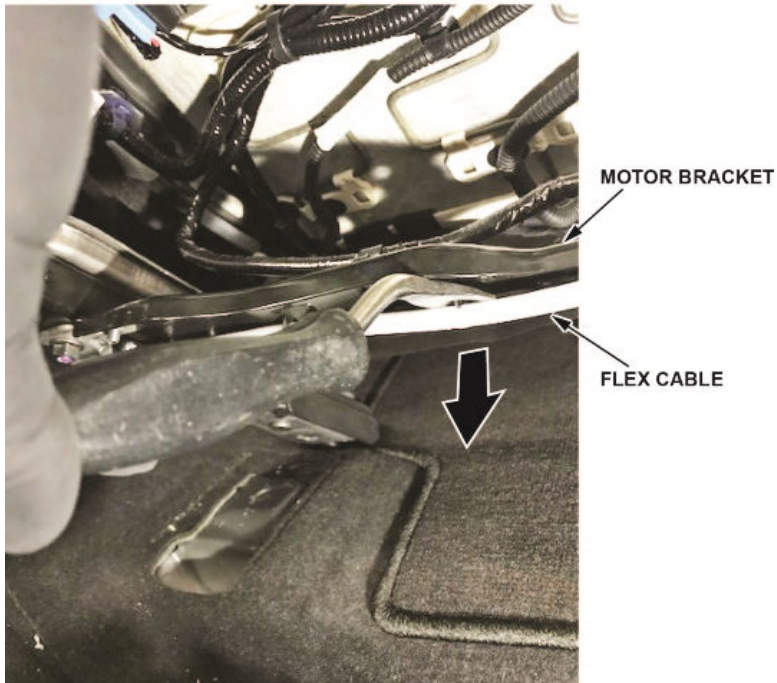
4. Write down the customer's radio station's presets on the repair order.

5. Disconnect the 12-volt battery.

6. Tilt back the entire seat and disconnect the seat harness.



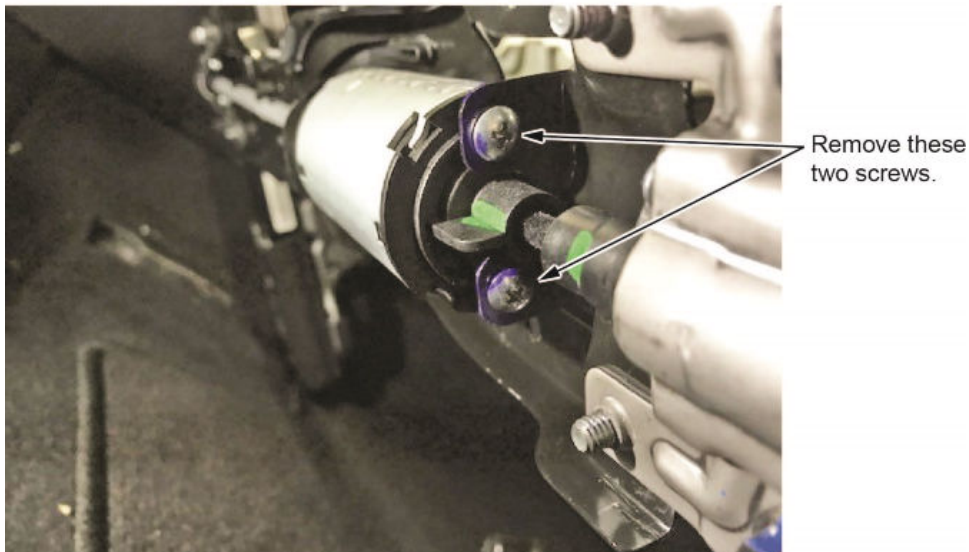
7. Pry the flex cable away from the metal motor bracket.



8. Remove the two screws that hold the motor to the metal bracket.

NOTE

Do not to damage the motor mounting tabs on the bracket.



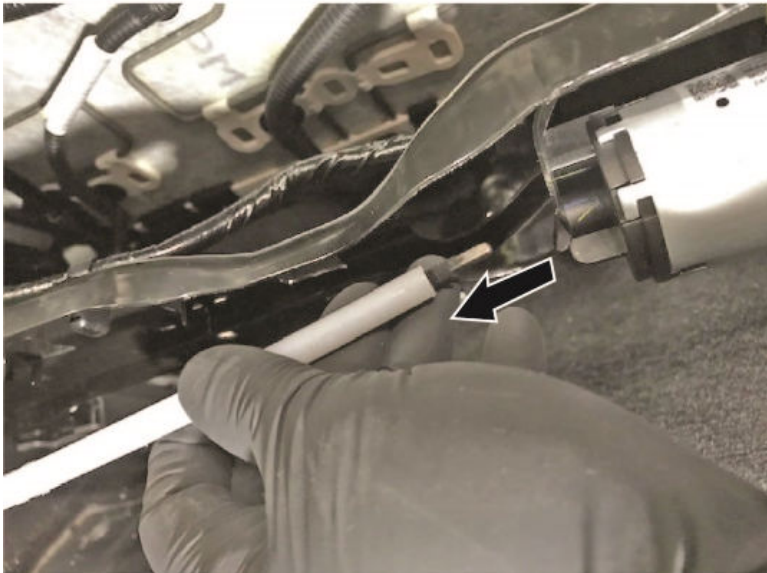
9. Gently push the metal housing clip on the front of the motor. Push upward at the cable end of the motor to allow removal of the flex cable.



10. Remove the flex cable assembly by first disconnecting it at the motor end. Then, pull the other end of the cable out of the seat rail gearbox

NOTE

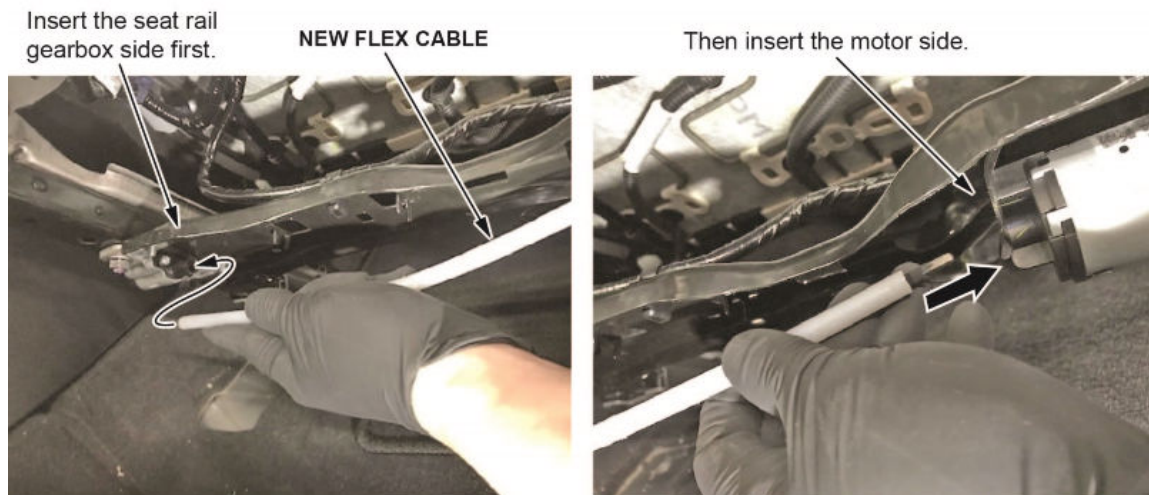
The cable may be tight in the gearbox. Use needle nose pliers to remove the cable.



11. Install the new flex cable in the reverse order of removal. Start by inserting the cable into the seat rail gearbox side, then insert the other end fully into the motor.

NOTE

Make sure to not bend or kink the cable during installation.



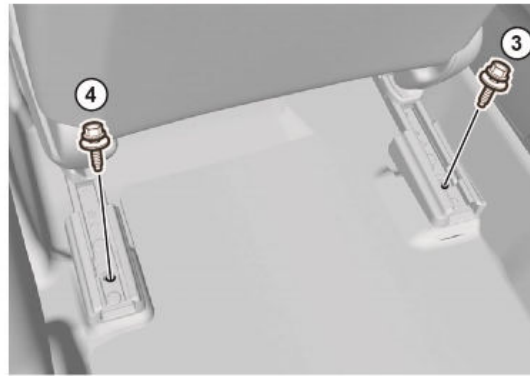
12. Snap the cable end of the motor back into its mounting bracket, and make sure the flex cable is fully inserted and horizontal.
13. Center the flexible plastic tube on the flex cable.
14. Snap the flex cable assembly back into the metal bracket, and make sure it is straight. If the cable is not straight and flat, it will make noise when the seat is adjusted.
15. Connect the seat harness and harness clip.
16. Connect the 12-volt battery.
17. Install the seat, then hand tighten the bolts.

18. Torque the bolts to specification as shown.

FRONT SIDE



REAR SIDE



- 2013 -17 Accord (ALL): **41 N·m (30 lbf·ft)**
- 2018 -19 Accord (ALL): **43 N·m (32 lbf·ft)**

19. Check the seat for proper operation. Make sure the buzzing or whining noise is gone.

20. Install the seat track end covers.

21. Using the i-HDS, do the Front Passenger's Weight Sensor Operation Check (only if the passenger seat flex cable assembly was replaced).

22. Enter the radio station presets from step 4.

END