

Latest Vehicle Concern Fixes



Check Engine MIL and/or Noise from HP Pumps

16MY onward RR, RRS, RR Velar, Discovery, LR4, XE, XF, XJ, F TYPE, F PACE with AJ126 only

Customer Voice:

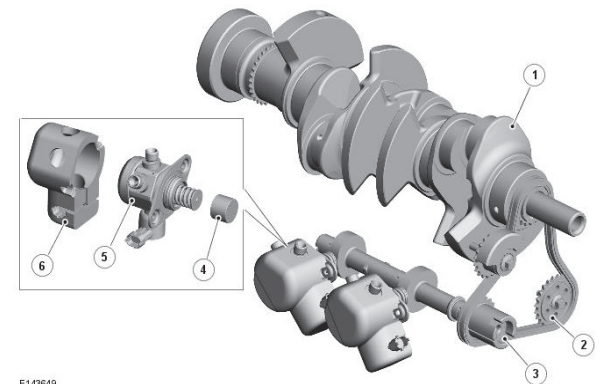
- The Check Engine MIL is on
- There is a noise from the engine.

Technical Description:

- A noise is identified from the HP Fuel Pump(s).
- At least one of the following DTCs is present: P228F-85, P025C-11, P0251-13, P064A-38, P0256-13.

Status:

- Obtain a sound file or video for any vehicles with a noise complaint present.
- Raise a TA for diagnostic support.
- See SSM 74588 and SSM 74589 for details.



E143649

