



**\*\* SOLUTION \*\***

---

Title Mack Chassis - **Conventional Models (Anthem, Pinnacle, Granite)** - Service Brakes Fail To Release; Brakes Sticking After Brake Pedal Is Released - **Built Between 1 November 2018 And 31 March 2019**

---

**Mack Models**

---

**Mack Model** AN - Anthem , GR - Granite , PI - Pinnacle

---

**\*\* SOLUTION \*\***

---

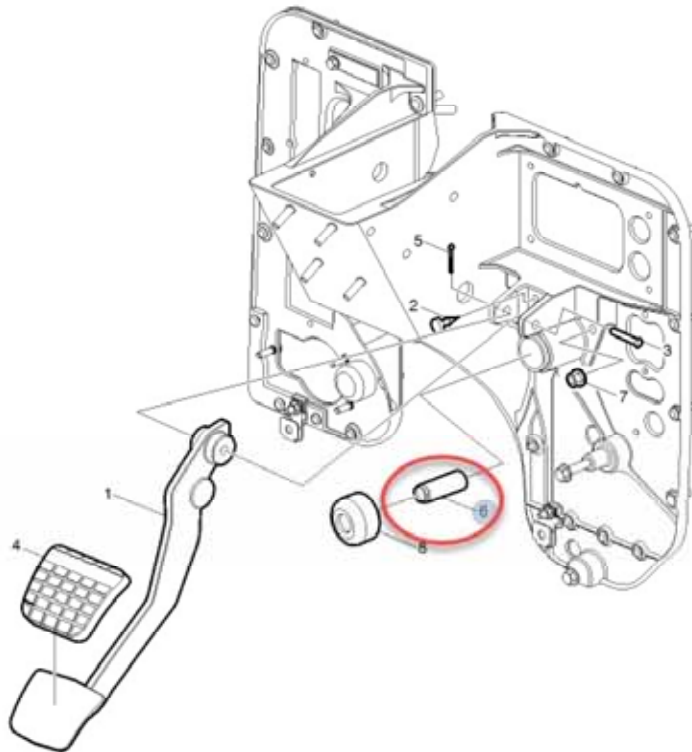
Cause Conventional Mack models built between Nov.1, 2018 and March 31, 2019 may experience the service brakes failing to release when the brake pedal is released. It has been determined that the brake plunger ([part number 20862281](#)) may bind when the brake pedal is depressed.

---

Solution **If a unit is brought to the dealer with this complaint:**

1. Firmly pull the brake pedal forward to establish if the plunger is hanging up or binding.
2. Verify the plunger is moving in a smooth fashion.

**If the plunger is found to be hanging up or binding:** Replace the plunger.



---

Solution visibility

Dealer distribution

---

## Function(s)/component(s) affected

Function affected	service brake
-------------------	---------------

## Function Group

Function Group	524 brake control
----------------	-------------------

## Customer effect

Main customer effect	stop/start
----------------------	------------

## Conditions

Vehicle operating mode	when releasing the brake pedal , during disengagement
------------------------	---

Frequency of occurrence of problem	random
------------------------------------	--------

## Administration

Author	A082736
--------	---------

Dealer ID	A082736
-----------	---------

Last modified by	RU4469V
------------------	---------

Creation date	04-09-2019 16:09
---------------	------------------

Date of last update	25-09-2019 16:09
---------------------	------------------

Status	Published
--------	-----------

UNCONTROLLED COPY. Printed document is for temporary use only and should not be retained.