



Technical Service Bulletin

SUBJECT:			No: TSB-19-42B-006
2019 MIRAGE BODY REPAIR MANUAL INFORMATION - SMR			DATE: September 2019
			MODEL: 2019 Mirage
CIRCULATE TO:	<input type="checkbox"/> GENERAL MANAGER	<input type="checkbox"/> PARTS MANAGER	<input checked="" type="checkbox"/> TECHNICIAN
<input checked="" type="checkbox"/> SERVICE ADVISOR	<input checked="" type="checkbox"/> SERVICE MANAGER	<input checked="" type="checkbox"/> WARRANTY PROCESSOR	<input type="checkbox"/> SALES MANAGER

PURPOSE

A 2019 Mirage Body Repair Manual was not issued. Use the 2014 Body Repair Manual (MSSP-416B-2015) along with this TSB for complete body repair information on the 2019 Mirage.

AFFECTED VEHICLES

- 2019 Mirage

AFFECTED SERVICE MANUAL

2014 Mirage Body Repair Manual:

- Group 6-Body Color
 - General Description
 - Body Color Charts
 - Body Coloring



GROUP 6

BODY COLOR

CONTENTS

GENERAL DESCRIPTION.....	6-2	BODY COLORING	6-3
BODY COLOR CHARTS	6-2	2-TONE	6-3

GENERAL DESCRIPTION

M4060001900014

OUTLINE OF CHANGES

- The section "BODY COLOR CHARTS" has been changed.
- Due to the adoption of 2-tone color, "BODY COLORING" has been defined.

BODY COLOR CHARTS

M4060002005161

Check the vehicle's body color code, and then use this body color chart to determine the refinishing paint supplier from which the color can be purchased.

[MONO-TONE]

Color	Color code	Color number	Color name	Coating film structure	Composition of film
SILVER	A66	CSA10066	Cool Silver Metallic	2M	Metallic
ORANGE	M09	CSM10009	Sunrise Orange Metallic	2M	Metallic
RED	P19	CSP10019	Red Metallic	2M	Metallic
BLUISH RED	P57	CSP10057	Wine Red Pearl	2P	Pearl
MEDIUM BLUE	T69	CST10069	Cerulean Blue Mica	2P	Pearl
GRAY	U17	CMU10017	Titanium Gray Metallic	2M	Metallic
WHITE	W54	CSW10054	White Pearl	3P	Pearl
BLACK	X08	AC11008	Black Mica	2P	Pearl

[2-TONE]

Color	Color code	Color number	Color name	Coating film structure	Composition of film
BLACK/RED	X08	AC11008	Black Mica/Red Metallic	2P	Pearl
	P19	CSP10019		2M	Metallic
BLACK/WHITE	X08	AC11008	Black Mica/White Pearl	2P	Pearl
	W54	CSW10054		3P	Pearl
BLACK/GRAY	X08	AC11008	Black Mica/Titanium Gray Metallic	2P	Pearl
	U17	CMU10017		2M	Metallic
BLACK/SILVER	X08	AC11008	Black Mica/Cool Silver Metallic	2P	Pearl
	A66	CSA10066		2M	Metallic
BLACK/MEDIUM BLUE	X08	AC11008	Black Mica/Cerulean Blue Mica	2P	Pearl
	T69	CST10069		2P	Pearl

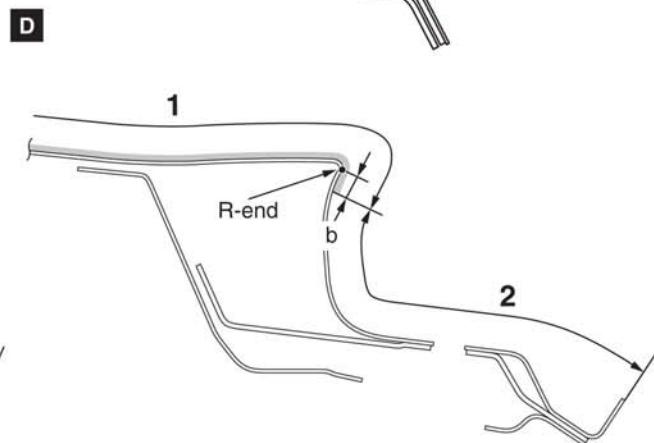
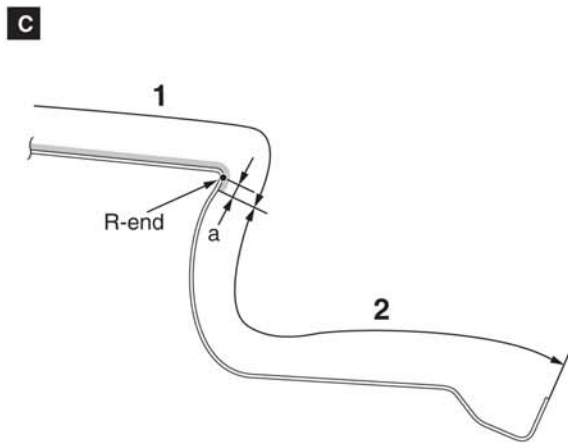
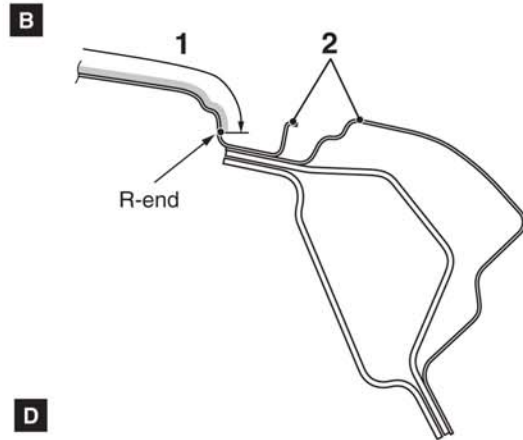
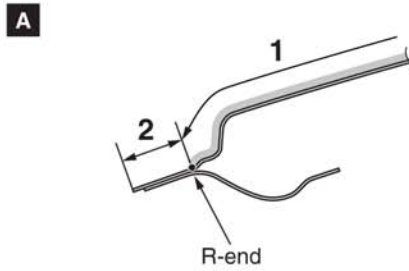
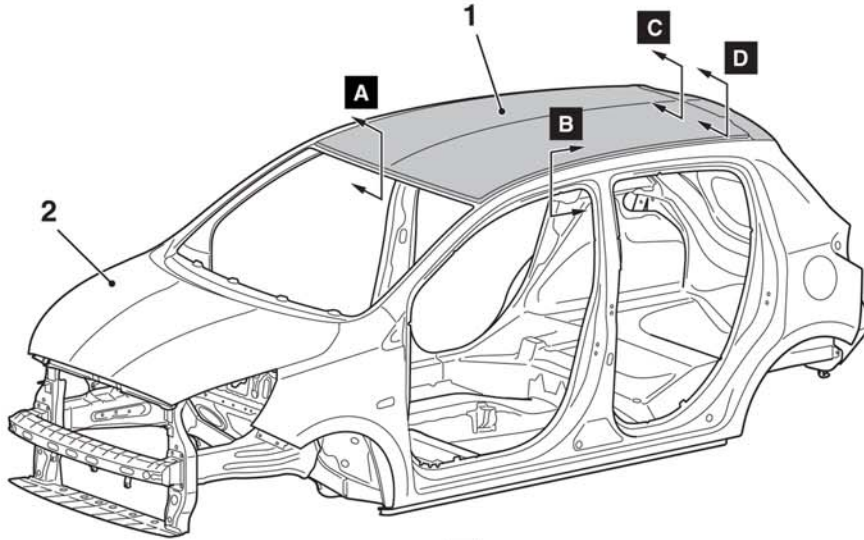
NOTE:

- The coating film structure indicates top coating only (2M: 2 coat metallic, 2P: 2 coat pearl, 3P: 3 coat pearl).
- For painting, inner panel colors should be similar to the outer panel colors.
- 2-tone color consists of 2 colors, a color before the slash (/) which indicates the body upper color and a color after the slash (/) which indicates the body lower color.

BODY COLORING

2-TONE

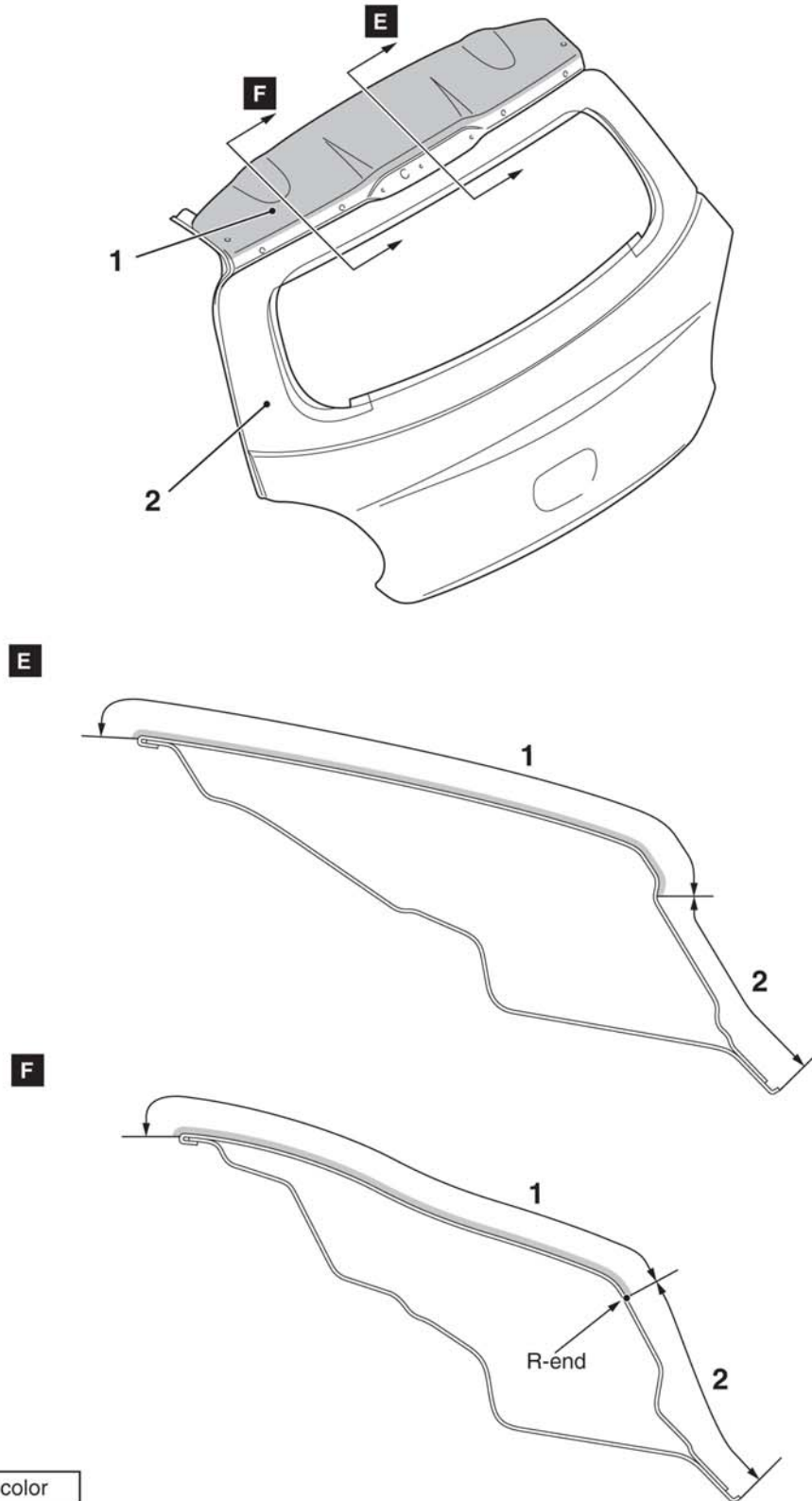
M4060006000180



a: 6 to 8 mm (0.2 to 0.3 in)
 b: More than "a" *
 *: Gradually widen the upper color painting area from section C to D

1	Upper color
2	Lower color

LIFTGATE



1	Upper color
2	Lower color