



Technical Service Bulletin

SUBJECT:			No: TSB-19-42B-005
UPDATE TO BODY REPAIR MANUAL UNDERCOAT APPLICATION LOCATIONS - SMR			DATE: September 2019
			MODEL: 2017 Mirage G4
CIRCULATE TO:	<input type="checkbox"/> GENERAL MANAGER	<input type="checkbox"/> PARTS MANAGER	<input checked="" type="checkbox"/> TECHNICIAN
<input checked="" type="checkbox"/> SERVICE ADVISOR	<input checked="" type="checkbox"/> SERVICE MANAGER	<input checked="" type="checkbox"/> WARRANTY PROCESSOR	<input type="checkbox"/> SALES MANAGER

PURPOSE

This TSB updates the Corrosion Protection section of the affected Body Repair Manual, to add undercoat application locations.

AFFECTED VEHICLES

- 2017 Mirage G4

AFFECTED SERVICE MANUAL

- 2017 Mirage G4 Body Repair Manual, Group 4-Corrosion Protection

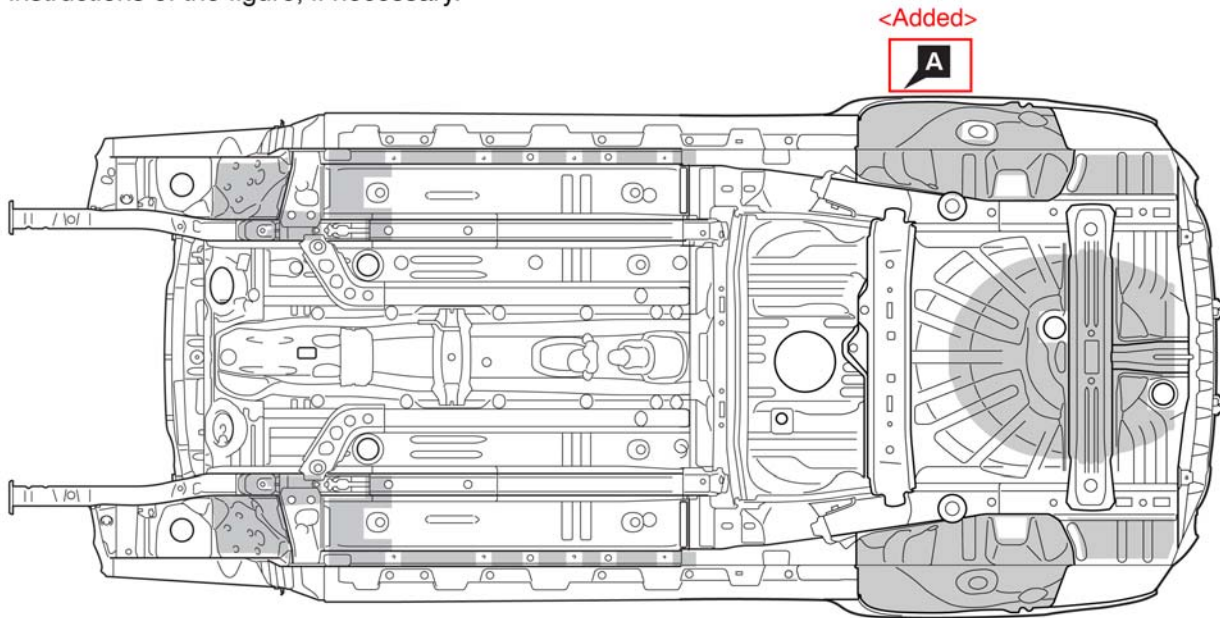


Please make the indicated changes to the 2017 Mirage G4 Body Repair Manual, Group 4-Corrosion Protection -> Undercoat Application Locations.


UNDERCOAT APPLICATION LOCATIONS

M4040003001858

- The under parts of the body is undercoated for anti-corrosive, anti-rust, anti-chipping, and anti-vibration performance.
- After correcting the body, restore as shown in the instructions of the figure, if necessary.
- To avoid splashing of undercoat material during the coating, protect the plug holes and components installation holes with masking tape.



NOTE:

 : Undercoat [Film thickness is at least 0.8 mm (0.031 in).]

ABF00428AB

<Added>

