

LTB01303NAS1



TECHNICAL BULLETIN

17 SEP 2019

© Jaguar Land Rover North America, LLC

NOTE: The information in Technical Bulletins is intended for use by trained, professional Technicians with the knowledge, tools, and equipment required to do the job properly and safely. It informs these Technicians of conditions that may occur on some vehicles, or provides information that could assist in proper vehicle service. The procedures should not be performed by 'do-it-yourselfers'. If you are not a Retailer, do not assume that a condition described affects your vehicle. Contact an authorized Land Rover service facility to determine whether this bulletin applies to a specific vehicle.

INFORMATION

SECTION:

501-14

SUBJECT/CONCERN:

Hood Release Lever May Become Detached

AFFECTED VEHICLE RANGE:

MODEL:	MODEL YEAR:	VIN:	ASSEMBLY PLANT:
New Range Rover Evoque (LZ)	2020	000268-013404	Halewood

MARKETS:

NORTH AMERICA

CONDITION SUMMARY:**SITUATION:**

The hood release lever becomes detached during operation.

CAUSE:

Insufficient fastening of the hood release lever.

ACTION:

Follow the instructions below.

PARTS:

PART NUMBER	DESCRIPTION	QUANTITY
LR135031	Hood lever assembly - Left Hand Drive (LHD)	1
LR135032	Hood release lever - LHD	1

WARRANTY:**NOTES:**

- Repair procedures are under constant review, and therefore times are subject to change; those quoted here must be taken as guidance only. Use TOPIx to obtain the latest repair time.
- The JLR claims submission system requires the use of causal part numbers. Labor only claims must show the causal part number with a quantity of zero.

DESCRIPTION	SRO	TIME (HOURS)	CONDITION CODE	CAUSAL PART
Hood release lever and lever assembly replacement	76.16.46	0.1	42	LR133716

NOTE:

Normal Warranty procedures apply.

SERVICE INSTRUCTION:

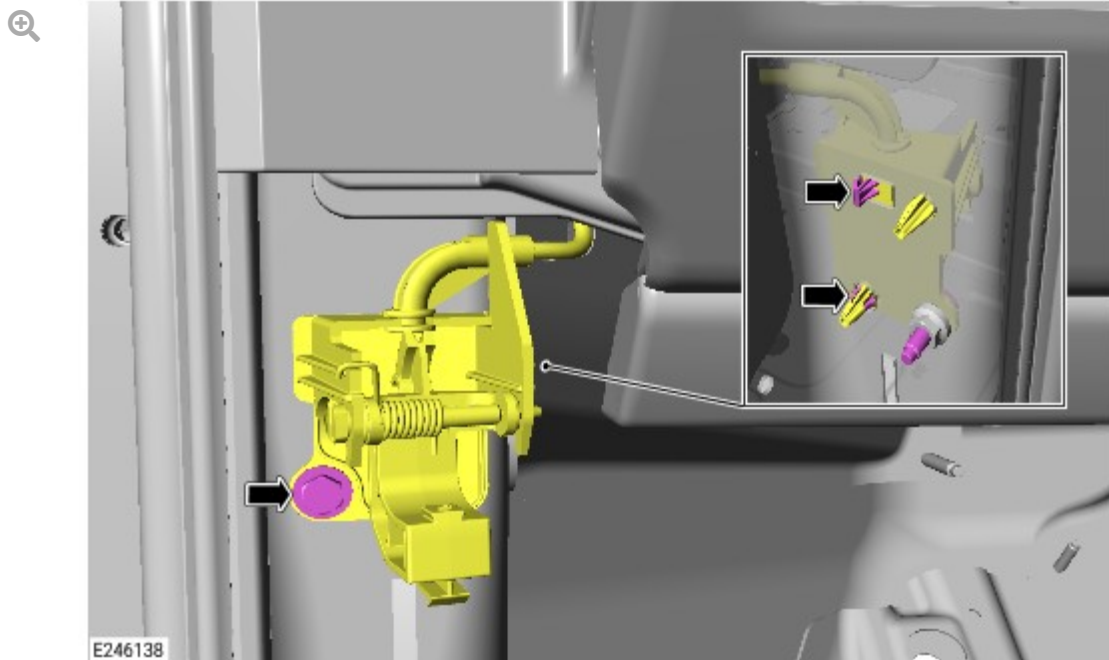
NOTES:

- Some variation in the illustrations may occur, but the essential information is always correct.
- Some components shown removed for clarity.

LHD Vehicles.

1. Remove the front left treadplate (see TOPIx Workshop Manual section 501-05: Interior Trim and Ornamentation - Front Left Treadplate).

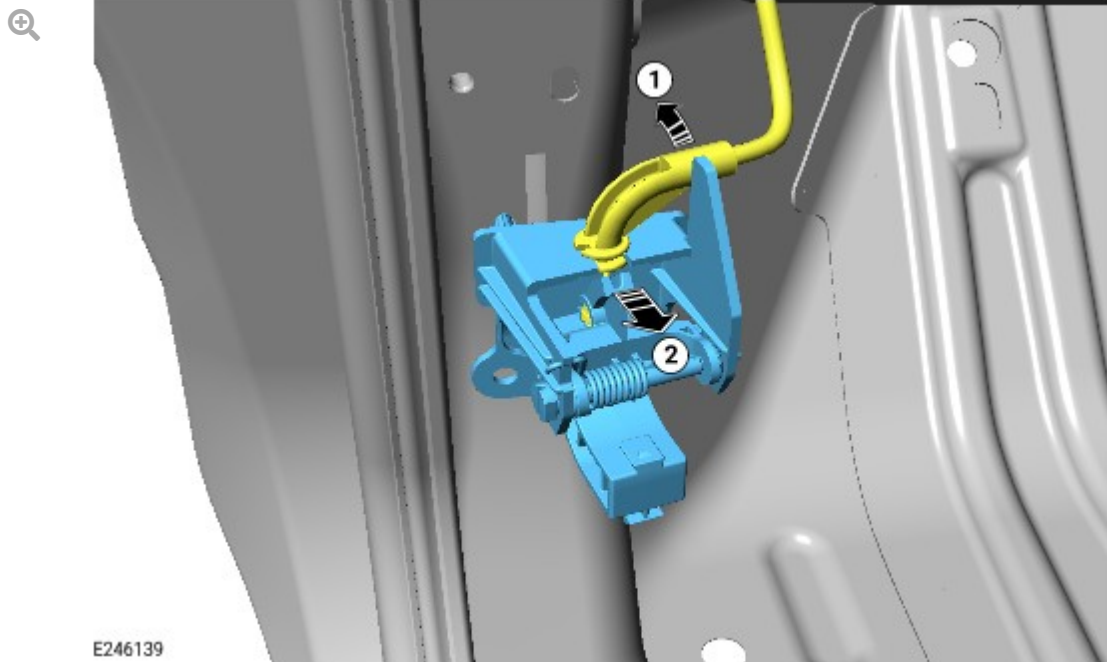
2.



Remove the hood lever assembly from the vehicle body.

- ■ Torque: **10 Nm**

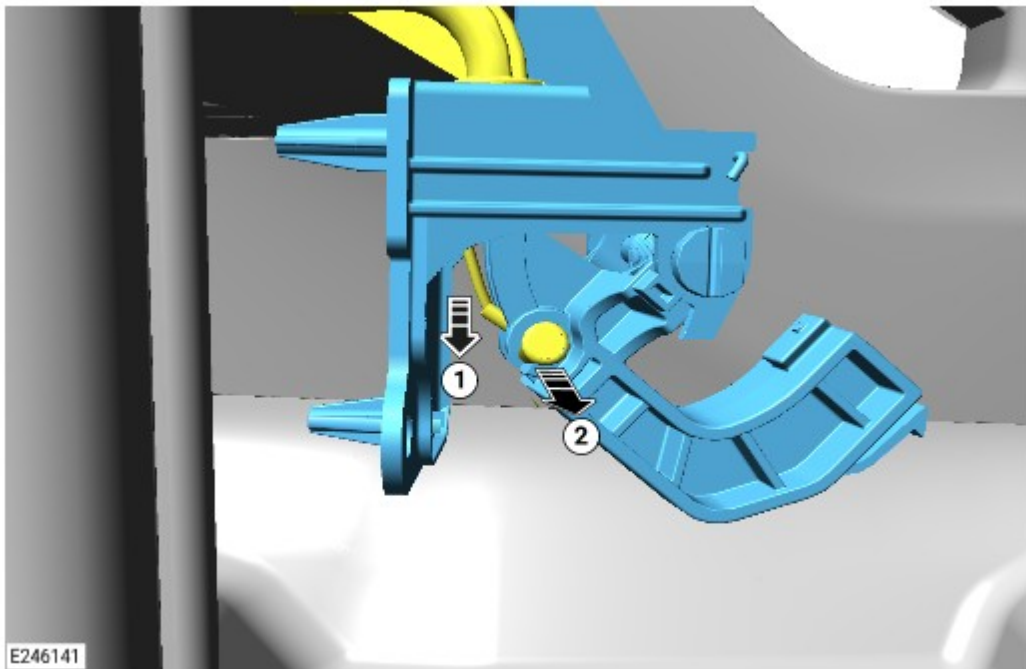
3.



Disconnect the cable sleeve from the hood lever assembly.

- ■ Turn the cable **(1)** 45° in the direction shown.
 - ■ Remove the cable **(2)** sleeve from it's fixed position in the direction shown.
-

4.



Remove the cable from the hood lever assembly.

- ■ Pull the cable **(1)** to align the cable end with the slot in the hood lever assembly.
- ■ Remove the cable **(2)** from the hood lever assembly.
- ■ Remove and discard the hood lever assembly.

5. Install the new hood lever assembly.

- ■ Reverse steps **4 - 2**.

6.

NOTE:

Install the new hood release lever (LR135032) at installation step 4.

Install the front left treadplate (see TOPIx Workshop Manual section 501-05: Interior Trim and Ornamentation - Front Left Treadplate).