

JLRTB02007NAS1

TECHNICAL BULLETIN

13 SEP 2019



© Jaguar Land Rover North America, LLC

NOTE: The information in Technical Bulletins is intended for use by trained, professional Technicians with the knowledge, tools, and equipment required to do the job properly and safely. It informs these Technicians of conditions that may occur on some vehicles, or provides information that could assist in proper vehicle service. The procedures should not be performed by 'do-it-yourselfers'. If you are not a Retailer, do not assume that a condition described affects your vehicle. Contact an authorized Land Rover service facility to determine whether this bulletin applies to a specific vehicle.

INFORMATION

SECTION:

501-03

SUBJECT/CONCERN:

Front Left Exterior Door Frame Finisher Damaged

AFFECTED VEHICLE RANGE:

MODEL:	MODEL YEAR:	VIN:	ASSEMBLY PLANT:
Range Rover Sport (LW)	2020	876107-886053	Solihull

MARKETS:

NORTH AMERICA

CONDITION SUMMARY:

SITUATION:

A section of the front left exterior door frame finisher has become damaged or has detached from the vehicle.

CAUSE:

The front left door frame flange alignment tolerance is out of specification.

ACTION:

Follow the instructions below.

PARTS:

PART NUMBER	DESCRIPTION	QUANTITY
LR118291	Front left exterior door frame finisher	1

WARRANTY:

NOTES:

- Repair procedures are under constant review, and therefore times are subject to change; those quoted here must be taken as guidance only. Use TOPIx to obtain the latest repair time.
- The JLR claims submission system requires the use of causal part numbers. Labor only claims must show the causal part number with a quantity of zero.

DESCRIPTION	SRO	TIME (HOURS)	CONDITION CODE	CAUSAL PART
Exterior door frame finisher - Renew	76.42.89.10	0.2	01	LR118291

NOTE:

Normal Warranty procedures apply.

SERVICE INSTRUCTION:

1. Open the front left door.

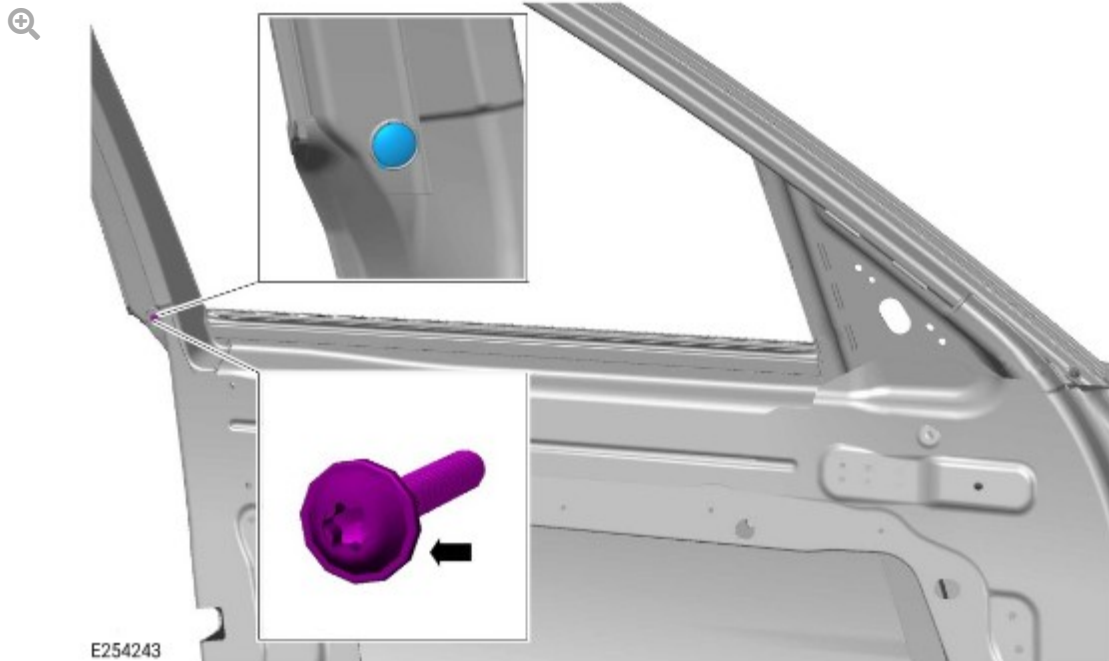
2. Lower the window glass.

3.



Reposition the upper door frame seal.

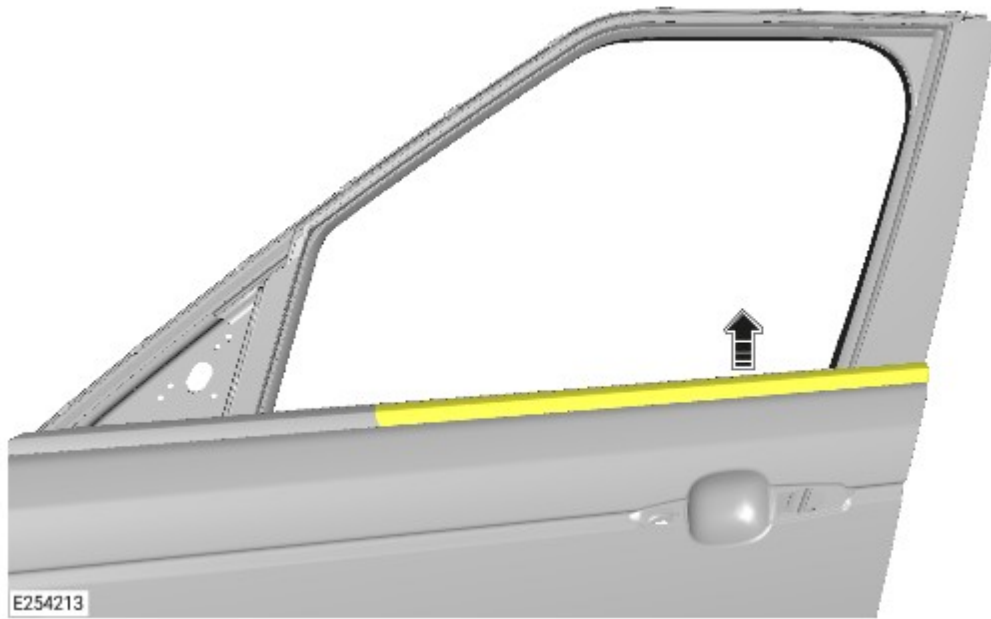
4.



Remove the exterior waist finisher retaining bolt cover.

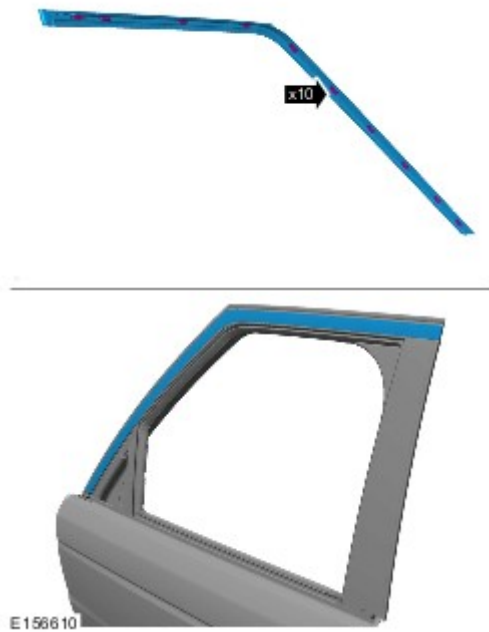
- ■ Remove the retaining bolt.
-

5.



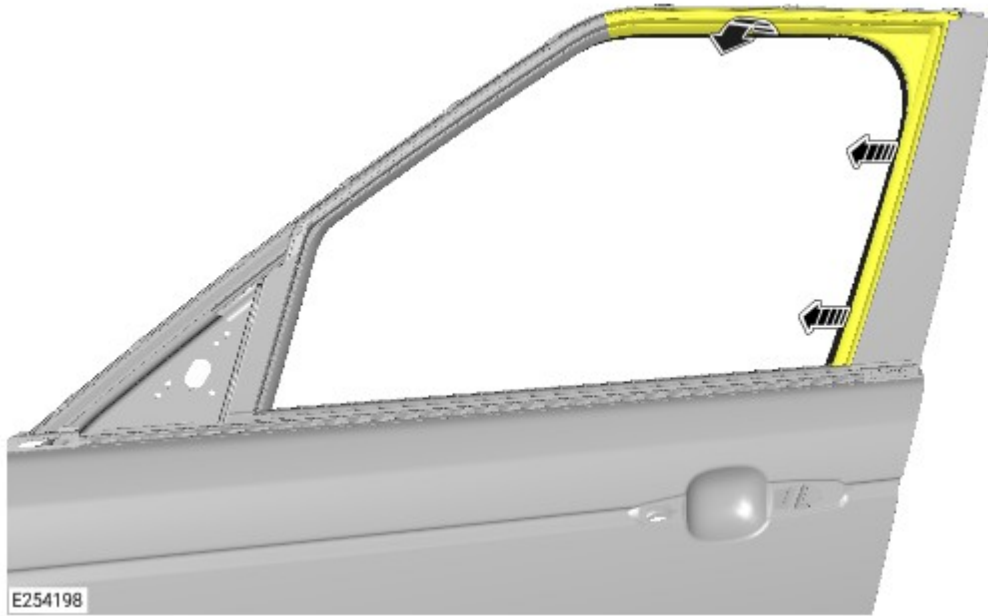
Reposition the exterior waist finisher.

6.



Remove the upper exterior door frame finisher.

7.



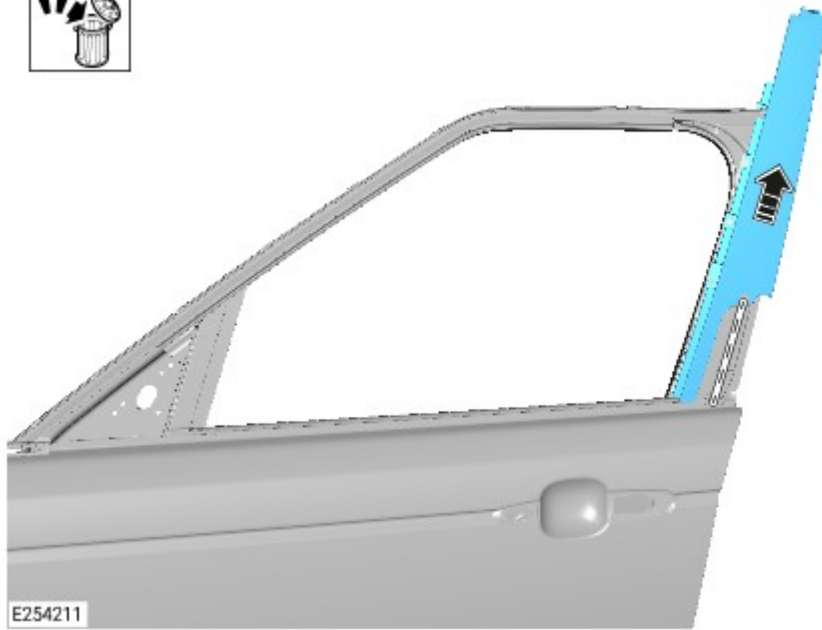
Reposition the window seal.

8.



Remove the 4 retaining screws.

9.



Remove and discard the exterior door frame finisher.

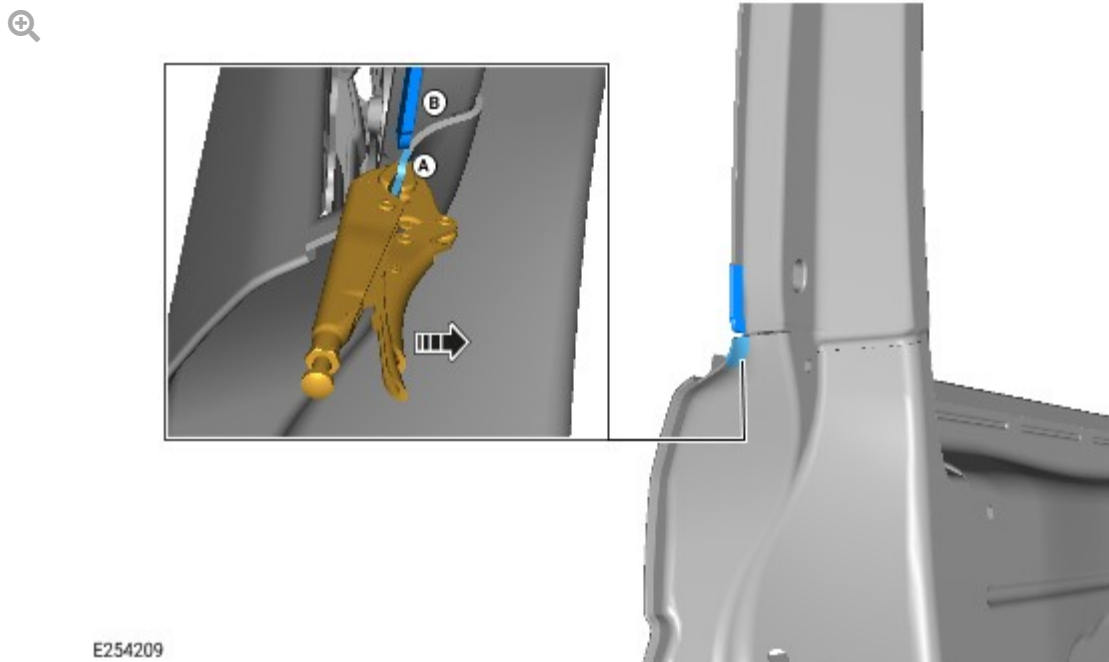
10.

CAUTIONS:

- Make sure no damage is caused to the vehicle.
- Make sure the surrounding area and the suitable tool are protected to avoid damaging the vehicle.
- Any body panels which have been modified/alterd must be returned to their original manufacturing condition.

NOTE:

If necessary, refer to Body Repairs (see TOPIx workshop manual section: 501-25A - Description and Operation - Body repairs) for further information on body panel repairs.



Use the tool shown in the illustration to align panel A with panel B.

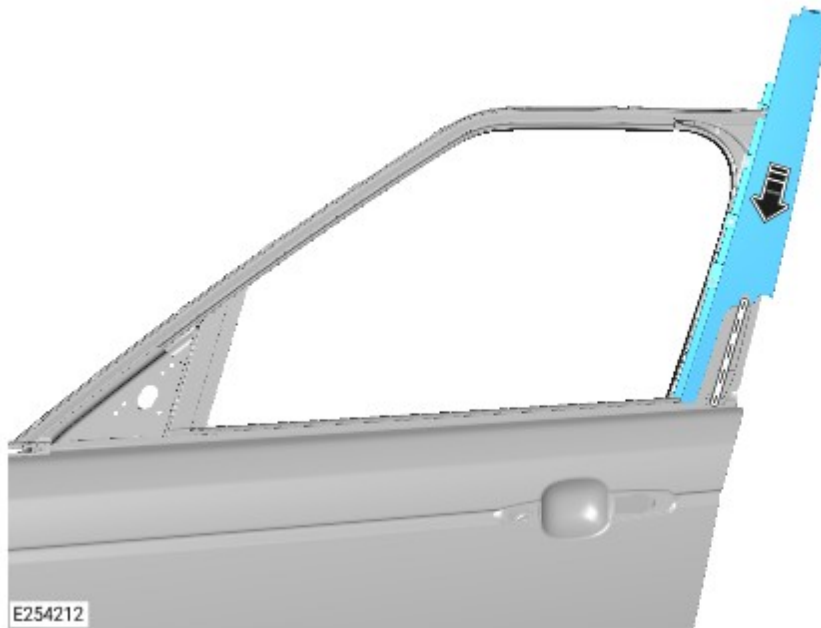
11.

CAUTION:

Make sure a locally sourced zinc-rich primer is applied to any bare metal surfaces.

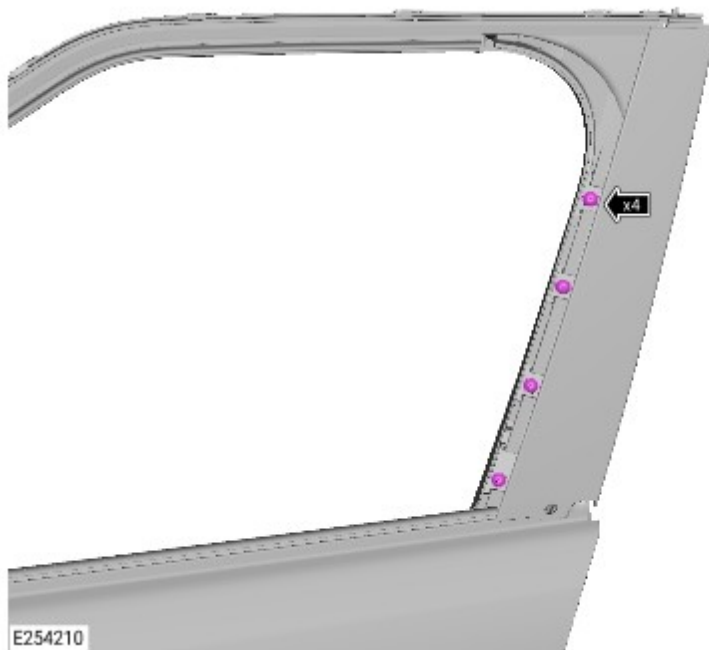
Rectify any paint defects if required.

12.



Install the new exterior door frame finisher.

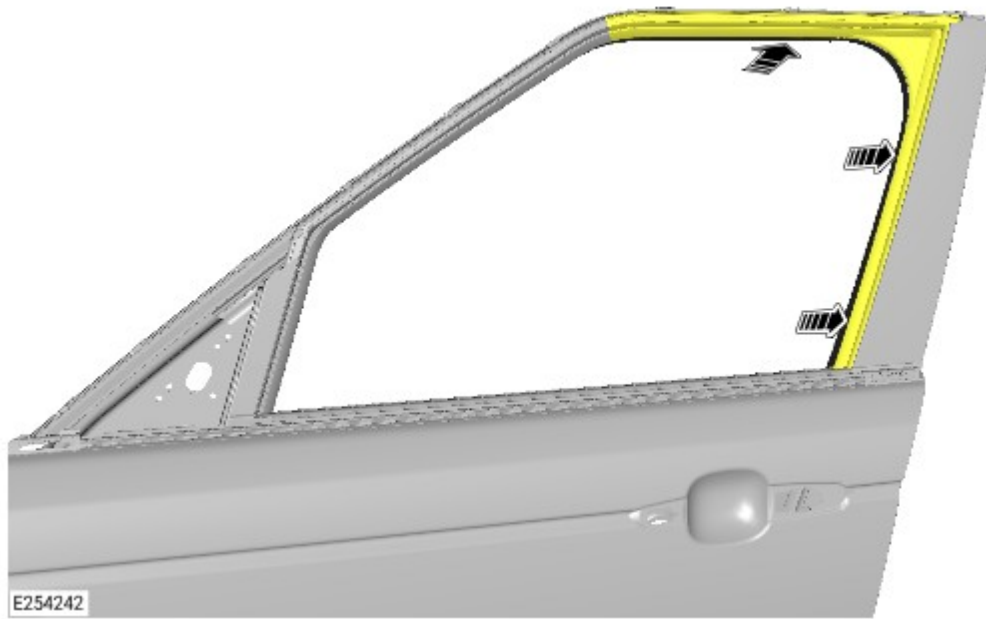
13.



Install the 4 retaining screws.

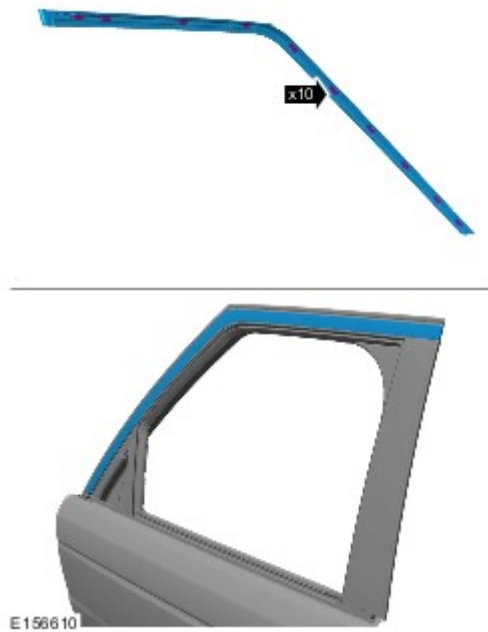
- ■ Torque: **5.4 Nm**

14.



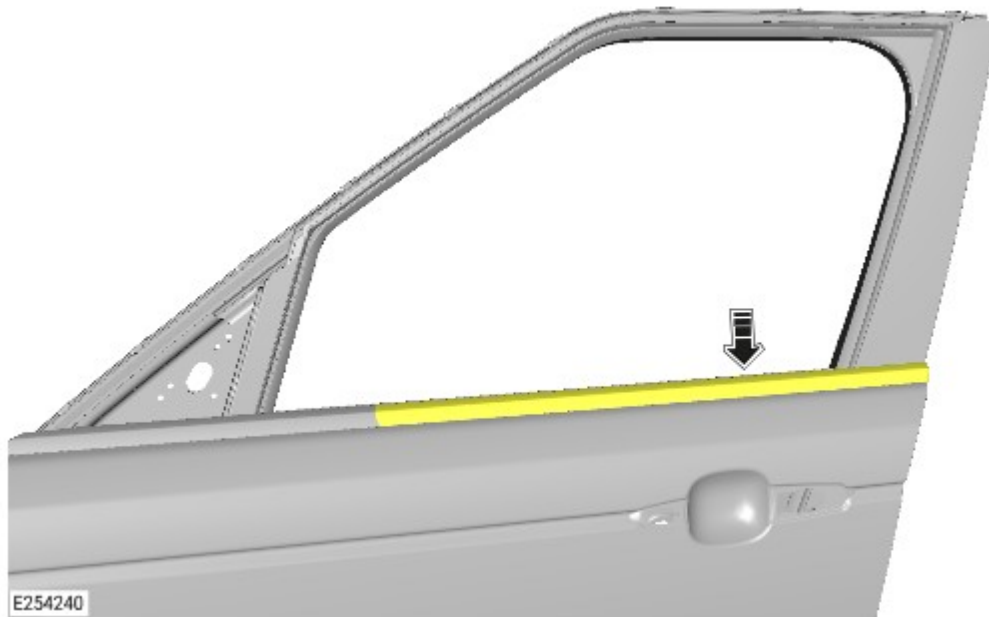
Reposition the window seal to the original position.

15.



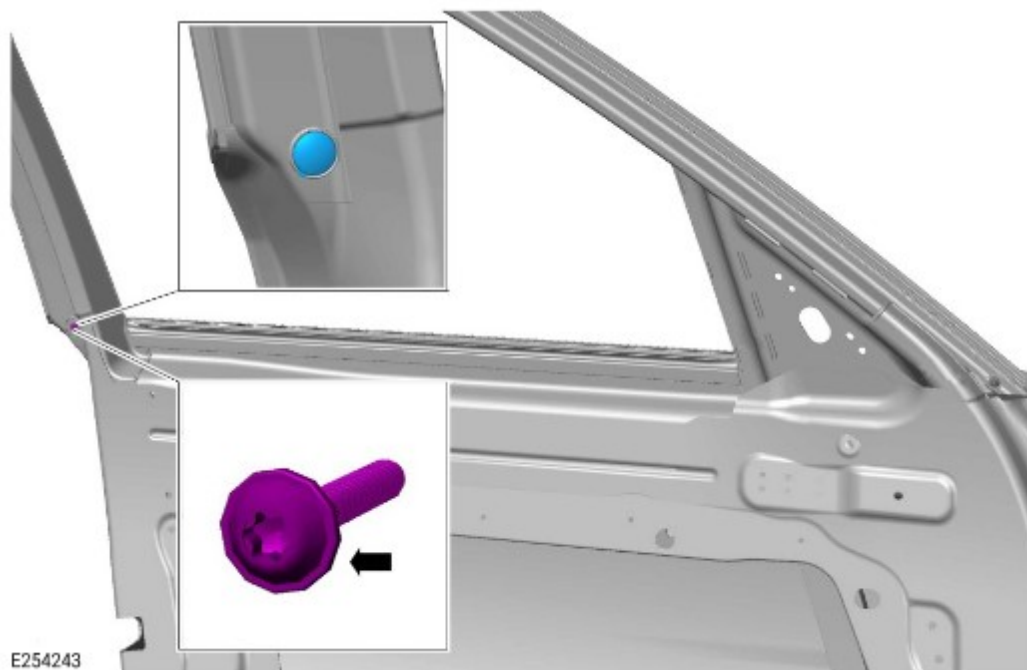
Install the upper exterior door frame finisher.

16.



Reposition the exterior waist finisher to the original position.

17.



Install the exterior waist finisher retaining bolt.

- ■ Torque: **3.5 Nm**
- ■ Install the exterior waist finisher retaining bolt cover.

18.



E254244

Reposition the upper door frame seal to the original position.

19. Raise the window glass.

20. Close the front left door.