

PREVOST

Instruction Sheet

IS-17151

HALOGEN TO LED FOG LIGHT REPLACEMENT KIT

X series Kits 430028, 430029 From 7-8754 up to K-6442

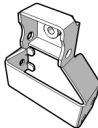



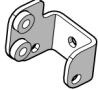
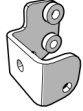

H series Kits 430027, 430030 From 9-1470 up to K-0614


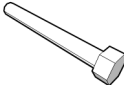
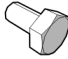
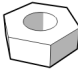

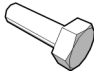
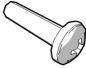


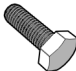

First Release

09-10-2019

MATERIAL

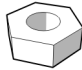

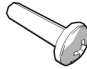
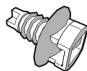

KIT 430028 X SERIES COACH

Part No.	Description		Qty
430011	SUPPORT, FOG LIGHT		2
430015	HOSE SPACER 5.5 +/-1MM LG		2
430018	BRACKET, RH FOG LIGHT X3		1
430019	BRACKET, LH FOG LIGHT X3		1
430022	BRACKET, RH FOG LIGHT		1
430023	BRACKET, LH FOG LIGHT		1
5001182	NUT HEX NYRT SS M6-1		2

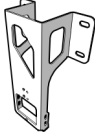
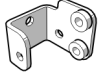

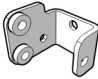
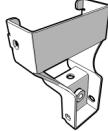


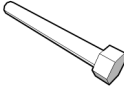
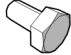

5001432	WSH LO INT SS .256X.478X.028(M6,1/4)		4
5001636	SCR CAP HEX NSS M6X1.0X50 FT		2
5001982	SCR CAP HEX SS NSS M6X12		4
502567	NUT HEX SS M10-1.5		2
502573	WSH FL SS 6.4 X 12.0 X 1.6 (M6,1/4)		8
502622	SCR CAP HEX SS NSS M6X20 FT		4
502746	SCR MA PAN PH SS NSS M5-0.8X20		2
504637	CABLE TIE, NYLON BLK (STD)		4
509815	FIR TREE MOUNTING (FT7 TYPE)		4
509856	SCR CAP HEX NSS BK M10X30 FT		4
560636	LED FOG LAMP X3		2
IS-17151	INSTRUCTION SHEET		1
FI-17151	FEUILLE D'INSTRUCTION		1

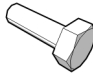
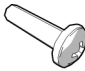


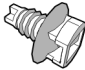


KIT 430029 X SERIES MOTORHOMES AND ENTERTAINERS

Part No.	Description		Qty
430011	SUPPORT, FOG LIGHT		2
430015	HOSE SPACER 5.5 +/-1MM LG		2
430020	BRACKET, RH FOG LIGHT W		1
430021	BRACKET, LH FOG LIGHT W		1
430022	BRACKET, RH FOG LIGHT		1
430023	BRACKET, LH FOG LIGHT		1
5001182	NUT HEX NYRT SS M6-1		2
5001432	WSH LO INT SS .256X.478X.028(M6,1/4)		4
5001636	SCR CAP HEX NSS M6X1.0X50 FT		2
5001982	SCR CAP HEX SS NSS M6X12		4

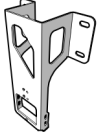
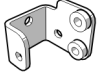

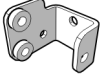
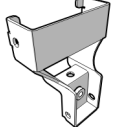


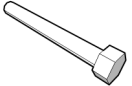
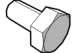

502567	NUT HEX SS M10-1.5		4
502573	WSH FL SS 6.4 X 12.0 X 1.6 (M6,1/4)		8
502622	SCR CAP HEX SS NSS M6X20 FT		4
502746	SCR MA PAN PH SS NSS M5-0.8X20		2
504637	CABLE TIE, NYLON BLK (STD)		4
509815	FIR TREE MOUNTING (FT7 TYPE)		4
509856	SCR CAP HEX NSS BK M10X30 FT		4
560636	LED FOG LAMP X3		2
IS-17151	INSTRUCTION SHEET		1
FI-17151	FEUILLE D'INSTRUCTION		1

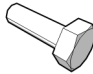
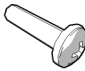


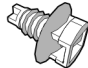


KIT 430027 H SERIES COACH 4 FOG LAMP

Part No.	Description		Qty
410100	SUPPORT, FOG LAMP		2
430010	BRACKET, LH FOG LIGHT		2
430015	HOSE SPACER 5.5 +/-1MM LG		4
430017	BRACKET, RH FOG LIGHT		2
430024	SUPPORT, FOG LIGHT H		4
5001182	NUT HEX NYRT SS M6-1		4
5001432	WSH LO INT SS .256X.478X.028(M6,1/4)		8
5001636	SCR CAP HEX NSS M6X1.0X50 FT		4
5001982	SCR CAP HEX SS NSS M6X12		8
502573	WSH FL SS 6.4 X 12.0 X 1.6 (M6,1/4)		16

502622	SCR CAP HEX SS NSS M6X20 FT		8
502746	SCR MA PAN PH SS NSS M5-0.8X20		4
504637	CABLE TIE, NYLON BLK (STD)		4
507335	VINYL PROTECTOR,BLACK, .234X.500		8
509815	FIR TREE MOUNTING (FT7 TYPE)		2
560637	LED FOG LAMP H3		4
8631155	CABLE TIE 200X4.6 TREE MOUNT (30 POUNDS)		4
IS-17151	INSTRUCTION SHEET		1
FI-17151	FEUILLE D'INSTRUCTION		1

KIT 430030 H SERIES COACH 2 FOG LAMP

Part No.	Description		Qty
410100	SUPPORT, FOG LAMP		2
430010	BRACKET, LH FOG LIGHT		1
430015	HOSE SPACER 5.5 +/-1MM LG		2
430017	BRACKET, RH FOG LIGHT		1
430024	SUPPORT, FOG LIGHT H		2
5001182	NUT HEX NYRT SS M6-1		2
5001432	WSH LO INT SS .256X.478X.028(M6,1/4)		4
5001636	SCR CAP HEX NSS M6X1.0X50 FT		2
5001982	SCR CAP HEX SS NSS M6X12		4
502573	WSH FL SS 6.4 X 12.0 X 1.6 (M6,1/4)		8

502622	SCR CAP HEX SS NSS M6X20 FT		4
502746	SCR MA PAN PH SS NSS M5-0.8X20		2
504637	CABLE TIE, NYLON BLK (STD)		2
507335	VINYL PROTECTOR, BLACK, .234X.500		4
509815	FIR TREE MOUNTING (FT7 TYPE)		2
560637	LED FOG LAMP H3		2
8631155	CABLE TIE 200X4.6 TREE MOUNT (30 POUNDS)		2
IS-17151	INSTRUCTION SHEET		1
FI-17151	FEUILLE D'INSTRUCTION		1

NOTE

Material can be obtained through regular channels.

PROCEDURE



DANGER

Park vehicle safely, apply parking brake, stop the engine. Prior to working on the vehicle, set the ignition switch to the OFF position and trip the main circuit breakers equipped with a trip button. On Commuter type vehicles, set the battery master switch (master cut-out) to the OFF position.

Lockout & Tag out (LOTO) must be performed during set-up, maintenance or repair activities. Refer to your local procedure for detailed information regarding the control of hazardous energy.

X Series Kits 430028 / 430029 Pre-Assembly

1 Assemble following parts:	
Fog light support	430011 qty 2
A) Left light bracket (shown)	430023 qty 1
B) Right light bracket	430022 qty 1
Screw M6 x 50 NSS	5001636 qty 2
Washer	502573 qty 2
Nut M6, SS	5001182 qty 2



Note: Align the two parts as shown before tightening the pivot.

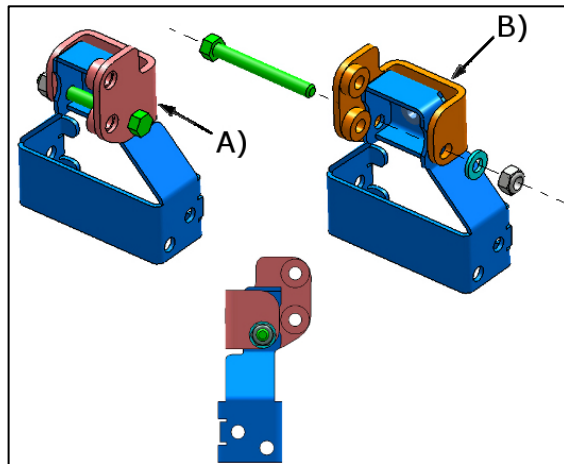


FIGURE 1: X SERIES BRACKET PRE-ASSEMBLY

2 Spacer hose	430015 qty 2
Washer	502573 qty 2
Screw M5 x 20 NSS	502746 qty 2



Important: Tighten the screw to slightly crush the spacer hose.

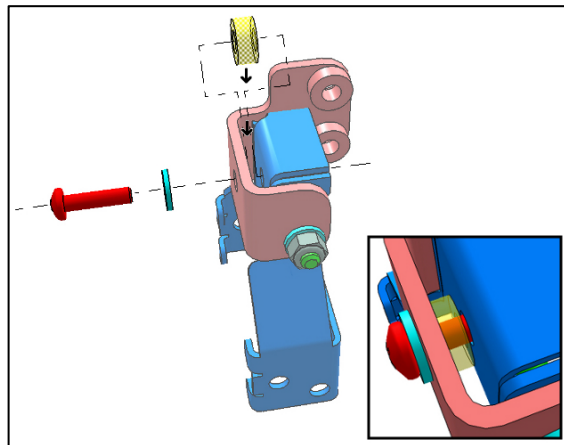


FIGURE 2: X SERIES BRACKET PRE-ASSEMBLY

3 Screw M6 x 20 NSS	502622 qty 4
Washer	502573 qty 4



Important: Hand tighten only.

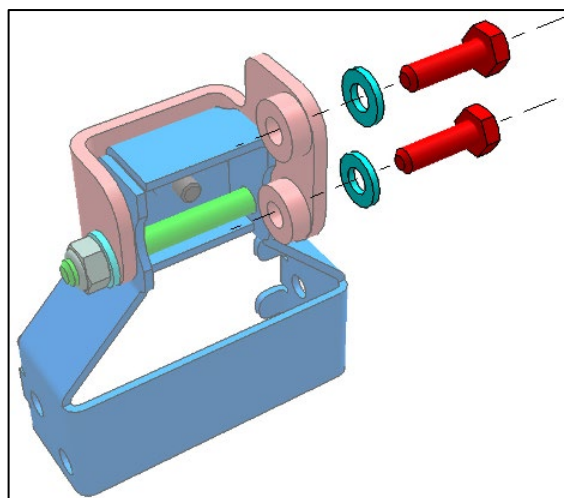


FIGURE 3: X SERIES BRACKET PRE-ASSEMBLY

4	Fog light	560636 qty 2
	Washer	5001432 qty 4
	Screw M6 x 12 SS	5001982 qty 4
	Torque	35 lb-in 4x

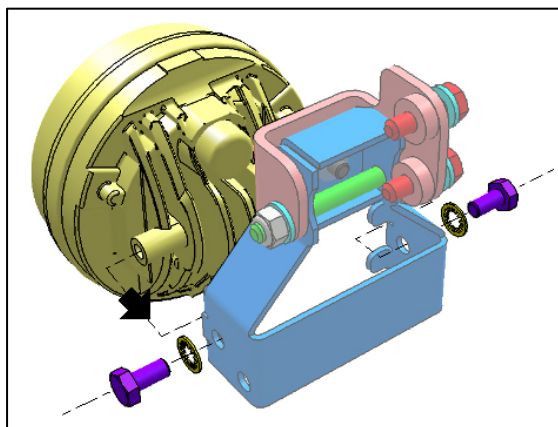


FIGURE 4: X SERIES BRACKET PRE-ASSEMBLY

5	Cable tie base	509815 qty 2
	Tie wrap	504637 qty 2
	Attach the cable to the bracket	

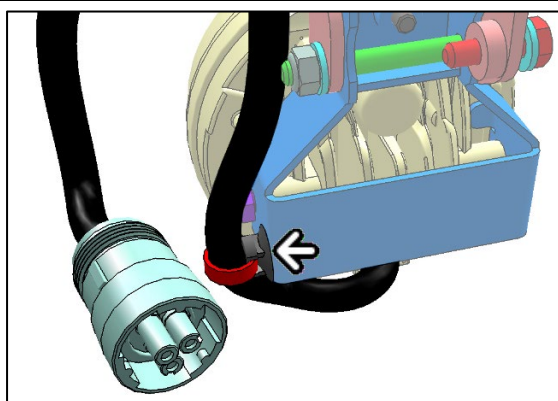


FIGURE 5: X SERIES BRACKET PRE-ASSEMBLY

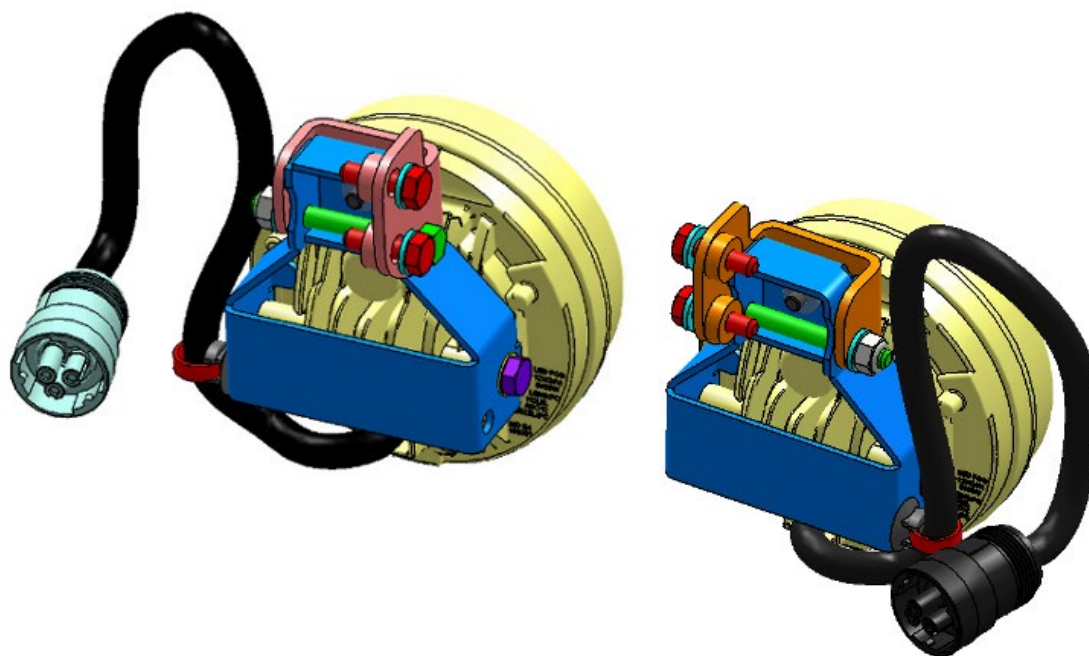


FIGURE 6: FINAL RESULT X SERIES FOG LAMP BRACKET PRE-ASSEMBLY

KITS 430028 / 430029 Bumper Structure Preparation

- 6 Unplug and remove former fog lights.

Protect vehicle-side connector from dust and debris by applying tape.

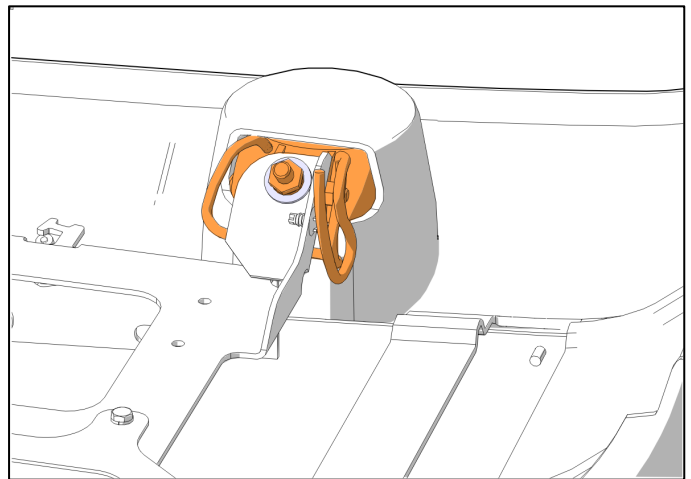


FIGURE 7: FORMER FOG LIGHT REMOVAL

- 7 On motorhomes and entertainer vehicles, to allow the installation of the new-style bracket, modify the support as shown.

Remove the angle support, cut above the weld to about 3 inches.

Grind the sheet metal bend flat to have a good mounting surface.

Remove sharp edges and corners.

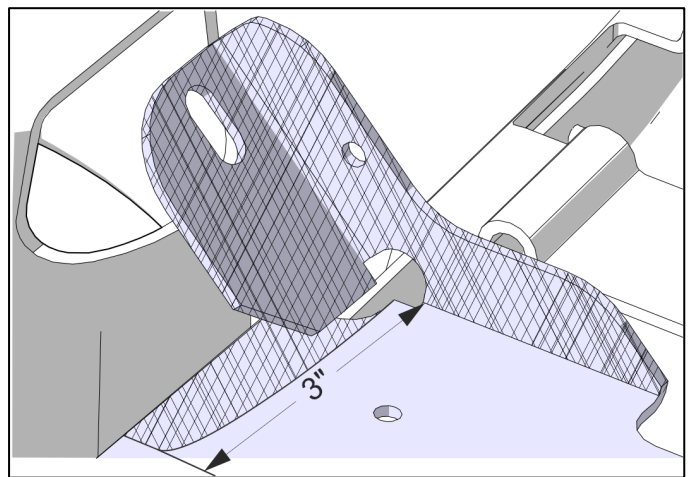


FIGURE 8: SUPPORT MODIFICATION, MOTORHOMES, ENTERTAINER

- 8 On coaches, modify the support as shown by removing the overhang and bent tab.
- Remove sharp edges and corners.

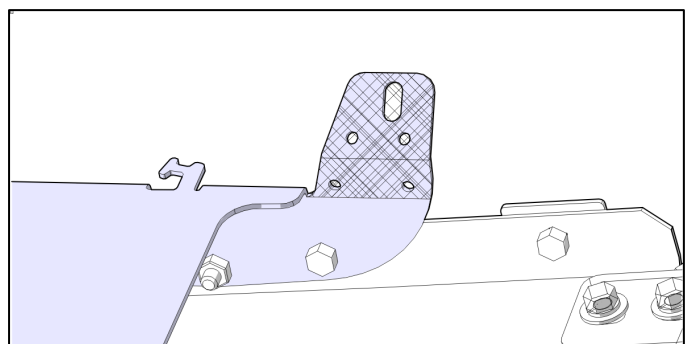


FIGURE 9: SUPPORT MODIFICATION, COACH

- 9 (X coach only) Remove the outermost *weld nut*. Also, remove the outer bolt.

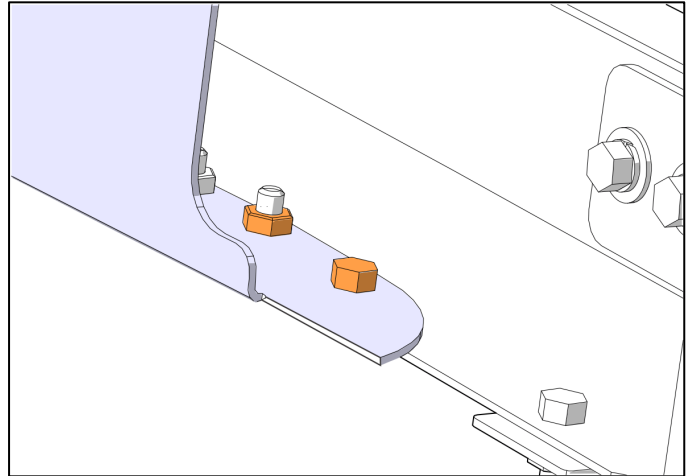


FIGURE 10: REMOVE ONE WELD NUT (X COACH ONLY)

- 10 (Motorhomes, Entertainer) Remove the two bolts, nuts and washers at the bottom of the bumper.

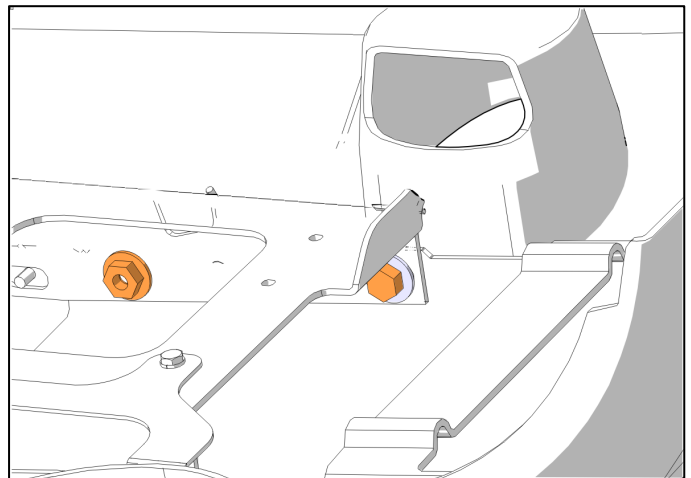


FIGURE 11: REMOVAL, MOTORHOME VARIANT

- 11 Install the new bracket with #509856 M10 x 30 screws and #502567 M10 hex nuts.

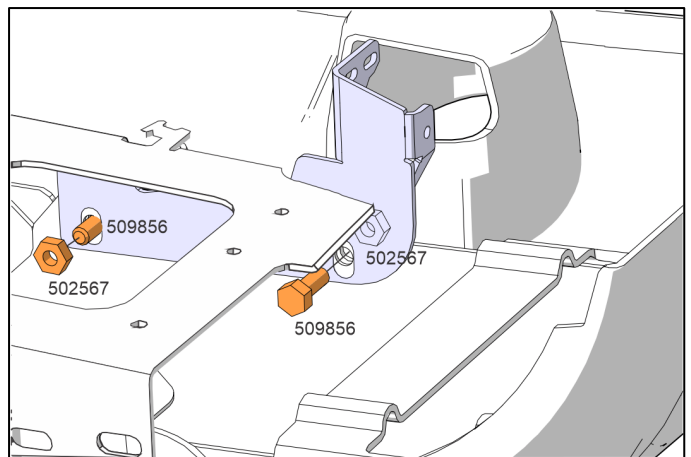
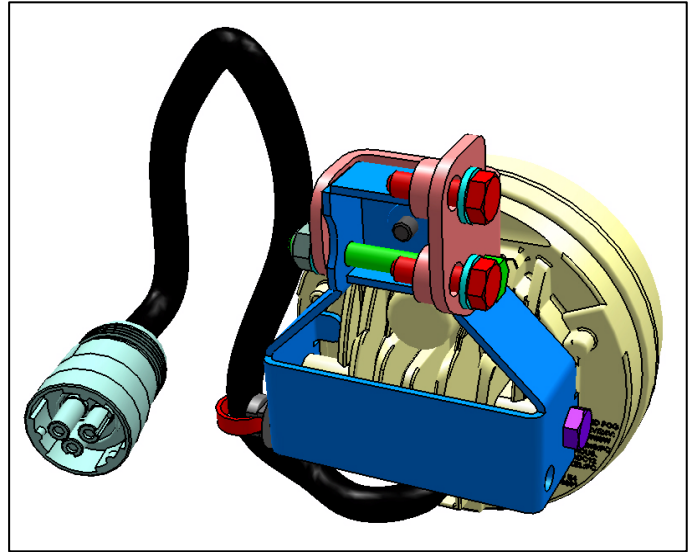


FIGURE 12: NEW BRACKET INSTALL. MOTORHOME VARIANT SHOWN.

12 Pre-assembled Fog lamps
(Left and Right)



13 Lockwasher
Bolt

Hardware
supplied

Note: The fog lamp must not touch
the bumper fiber / paint

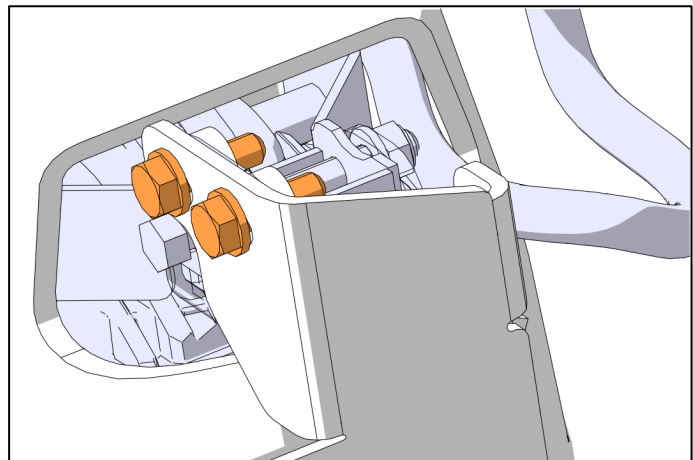


FIGURE 13

14 Add a cable tie base #509815 and
cable tie #504637.
Connect fog lamps to the vehicle.
Proceed to fog light beam vertical
alignment.

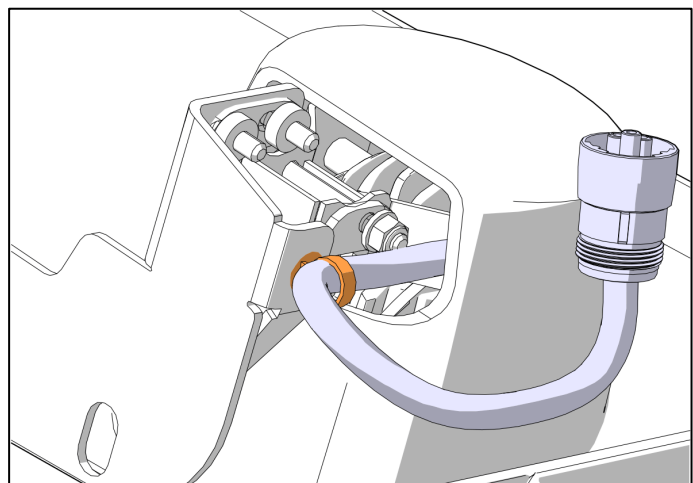


FIGURE 14

H Series Kits 430027, 430030 Preassembly

1. Preassemble two supports #430024 with #430010 LH or #430017 RH to make the fog lights subassemblies.
2. Install M6 x 50 screw #5001636, flat washers #502573 and M6 nuts #5001182 on all fog light subassemblies.

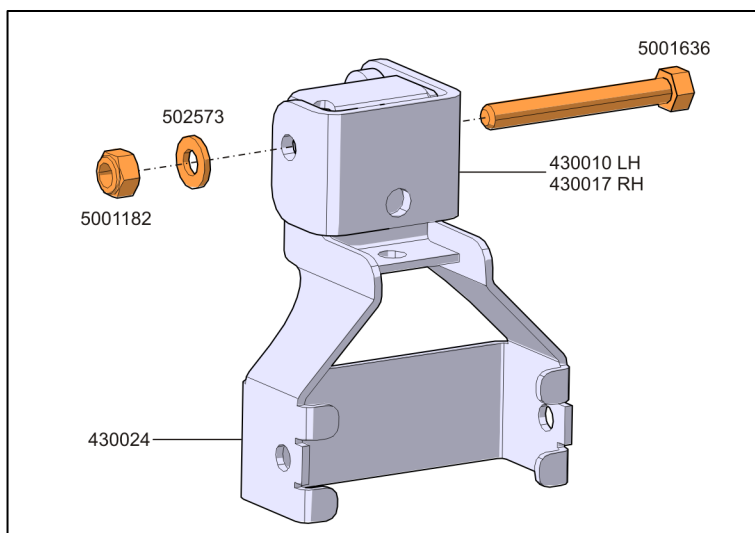


FIGURE 15: BRACKET PRE-ASSEMBLY H SERIES

3. Install cable tie support with cable tie #8631155 on every light support #430024.

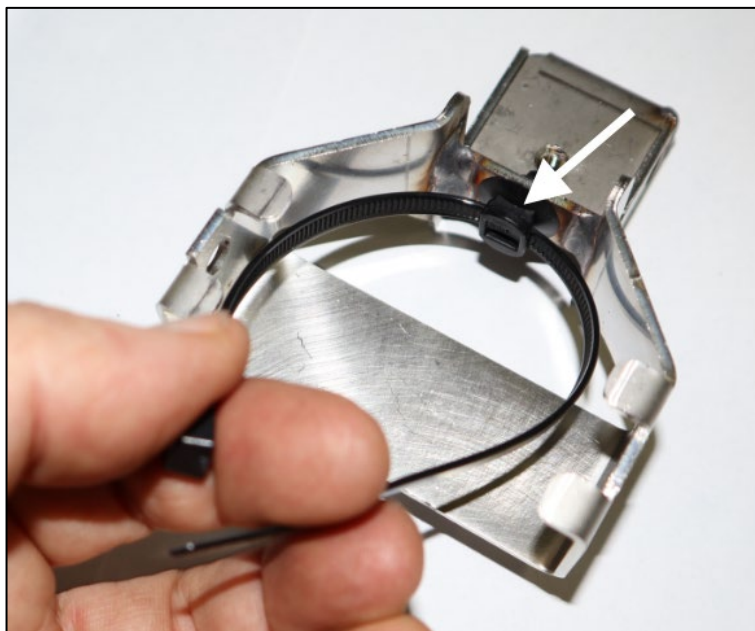


FIGURE 16: BRACKET PRE-ASSEMBLY H SERIES

4. Assemble M5 x 20 Philips head screw #502746, washer #502573 and spacer #430015 as shown.
5. Tighten screw to squeeze the spacer slightly.

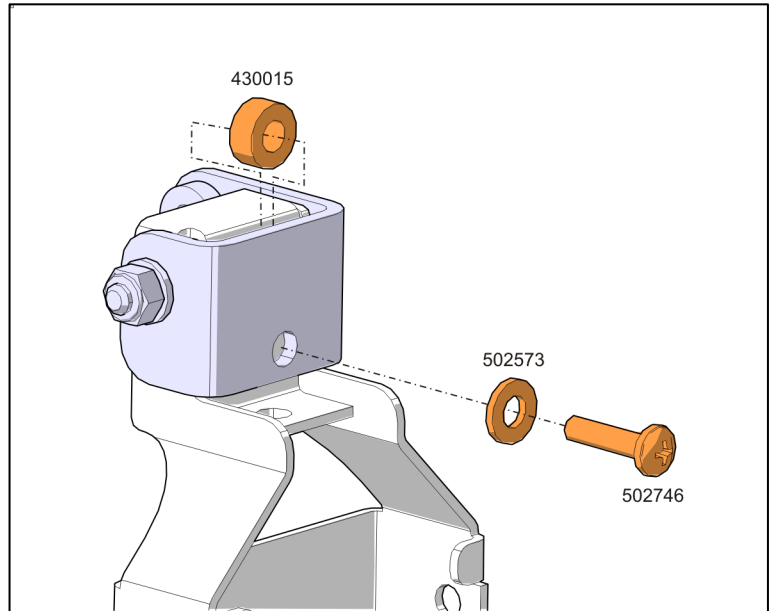


FIGURE 17: BRACKET PRE-ASSEMBLY H SERIES

6. Install fog light #560637 on all subassemblies with lock washers #5001432 and M6 x 12 screws #5001982.
7. Tighten screws to **35 lb-ft.**

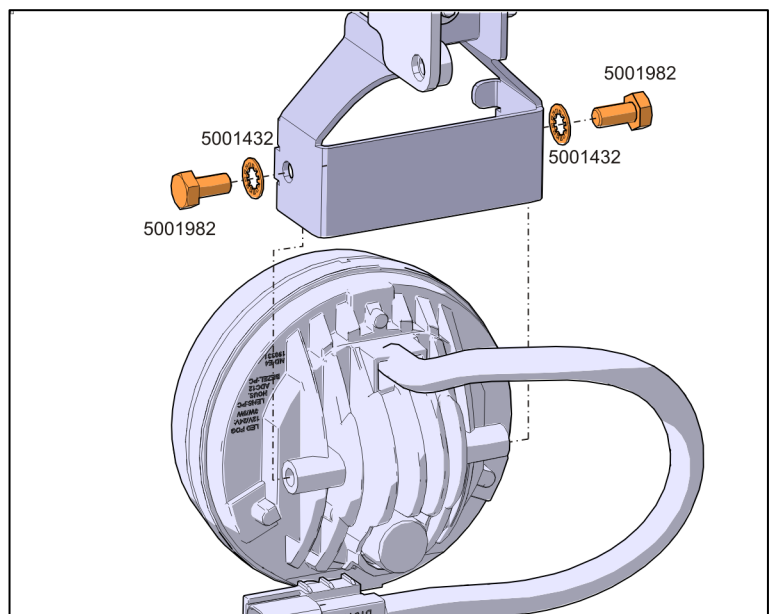


FIGURE 18

8. If kit contains four (4) fog lights, make a 2nd set of lights.

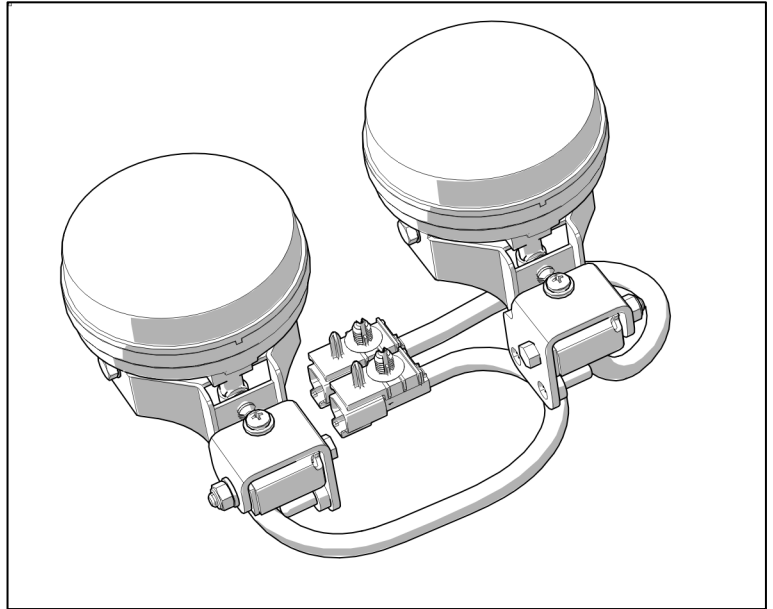


FIGURE 19: FINAL RESULT, 2 FOG LIGHT SET.

9. Secure all light cables as shown in Figure 18.



FIGURE 20

H Series Kits 430027, 430030 Installation

10. Remove the fog lamp blank covers (screws behind)
11. Discard blank covers and screws.

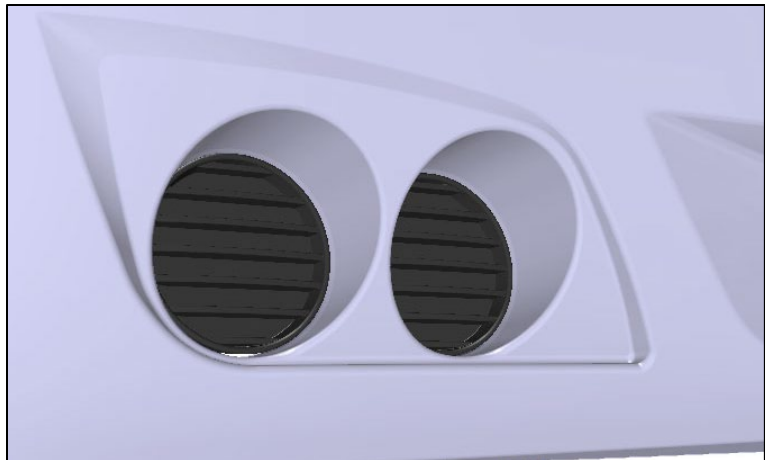


FIGURE 21

12. Remove the existing bracket and halogen fog lights.
13. Keep bracket to bumper mounting screws and washers.

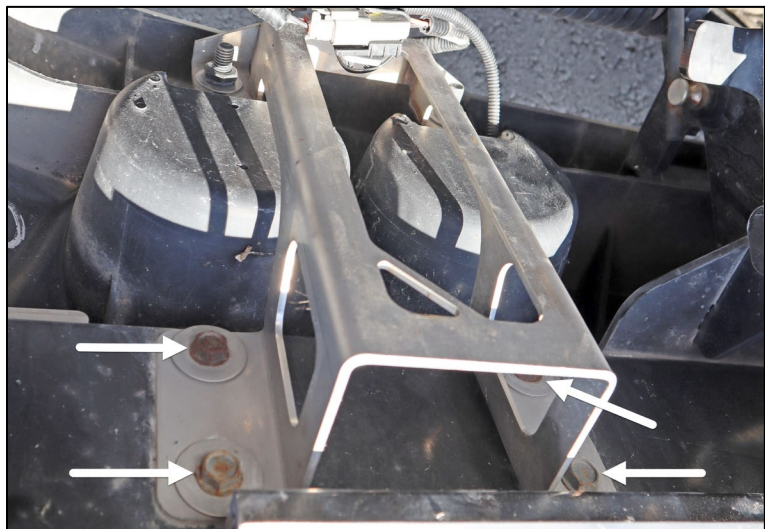


FIGURE 22

14. Install the two main supports #410100 with hardware reserved earlier.

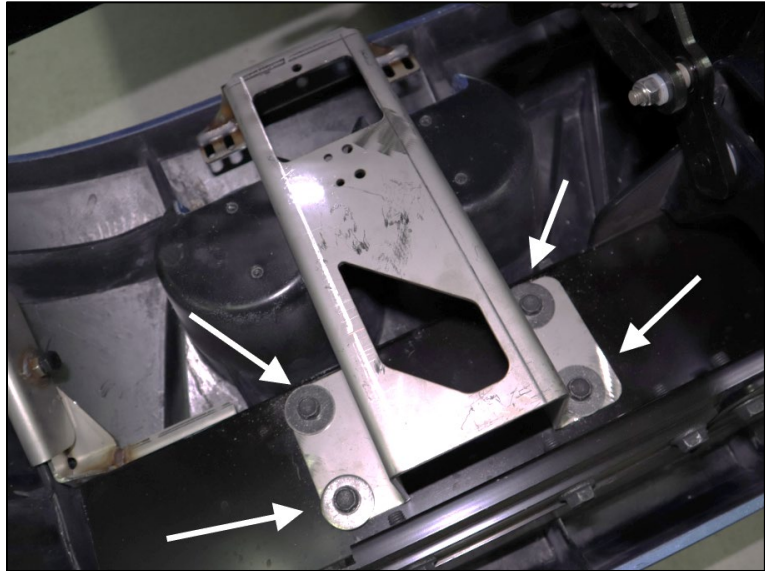


FIGURE 23

15. Install light subassemblies on support with M6 x 20 screws #502622 and #502573 washers.

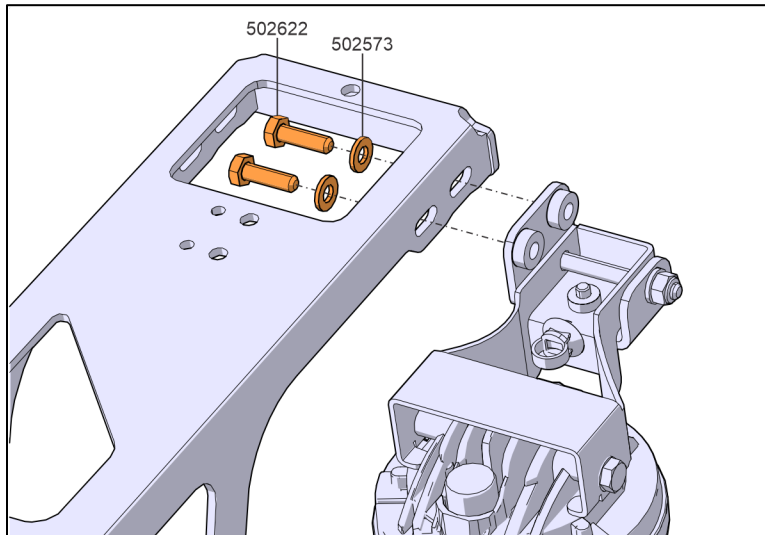


FIGURE 24

16. Place black protective caps #507335 on screw shanks.

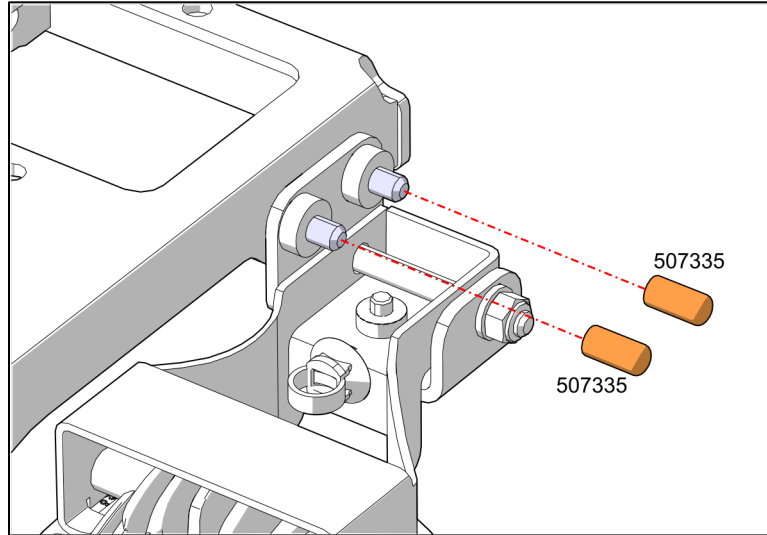


FIGURE 25

17. Center fog light in bumper opening.

18. Confirm cable is routed through the center as shown.



FIGURE 26

19. Secure the connectors to the bracket with the integrated fir tree clip and pin.



FIGURE 27

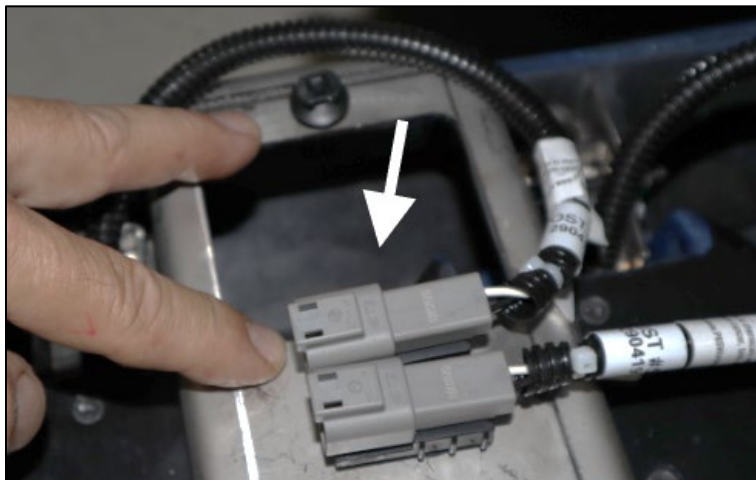


FIGURE 28

20. Connect to the vehicle.



FIGURE 29

21. Install cable tie base #509815 and secure cable with #504637 cable tie.

22. On 4 fog light installations secure the cables together with #504637 cable tie.

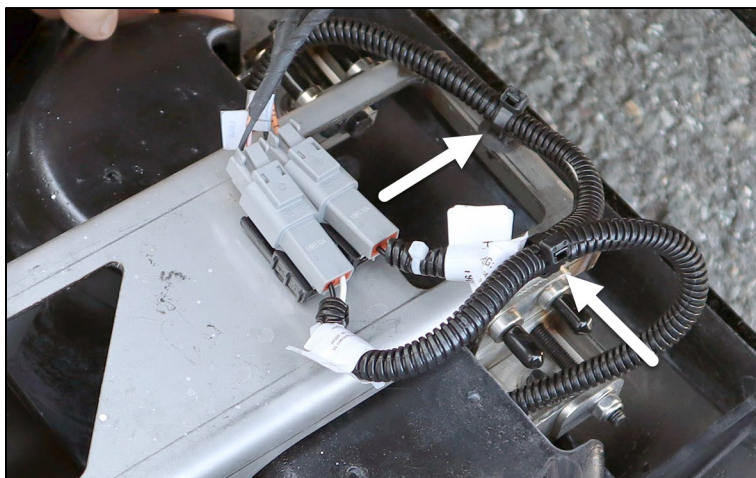


FIGURE 30

23. Proceed to fog light beam vertical alignment.

Fog Light Vertical Calibration

1. Position the vehicle on level ground in front of a wall.
2. Measure a distance of 80" (1830 mm) between the vehicle lights and the wall.

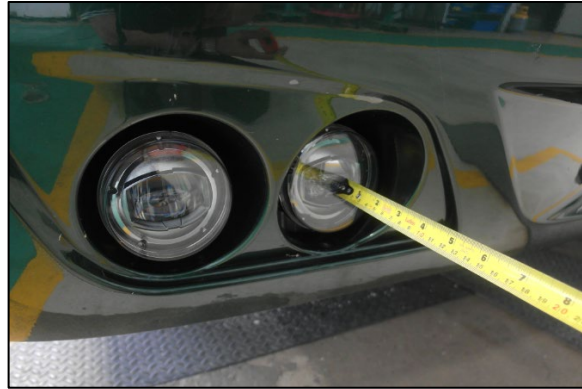


FIGURE 31

3. If the vehicle has four fog lights, use a board to hide one light when adjusting the other.



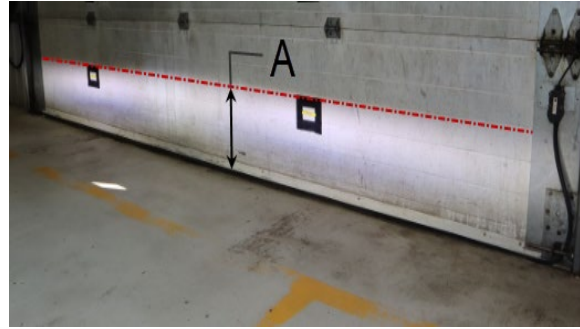
FIGURE 32

4. Locate adjustment screw under the light.



FIGURE 33

5. For each light, set the top illumination on the wall at 16" (405 mm) (dimension "A").
6. Procedure is complete.



PARTS / WASTE DISPOSAL

Discard waste according to applicable environmental regulations (Municipal/State[Prov.]/ Federal)