

SS 1034500 WST HVAC Shutoff Valve (X15 Cummins Only)

Applicable Vehicles:

All WST models with X15 Cummins

Concern:

When driving truck at HWY RPMs the Cummins X15 pushes hot coolant past the HVAC water shutoff valve causing a decrease in AC cooling performance.

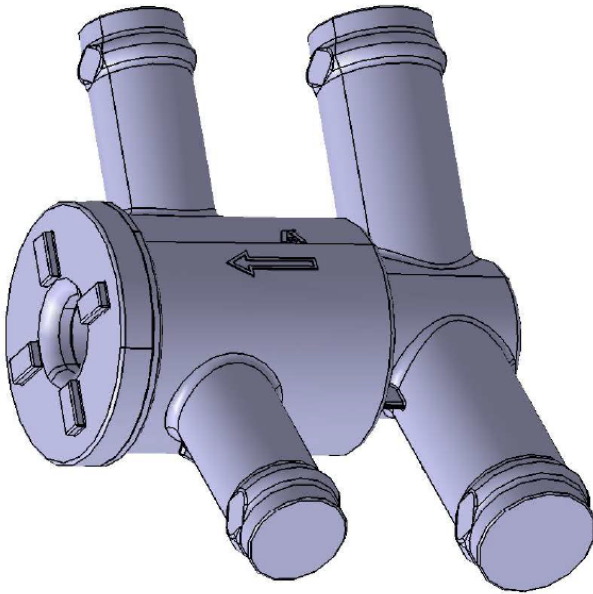


Cause:

The X15 Cummins heater port pressure exceeds the WST HVAC water shutoff valve pressure capabilities.

Solution:

Install H-valve 05-32183-000 (see below). This valve will help to regulate pressure in the system to insure proper HVAC function. There is also a picture below showing proper install of the valve on a WST. The valve is marked to show in and out locations for the heater hoses.

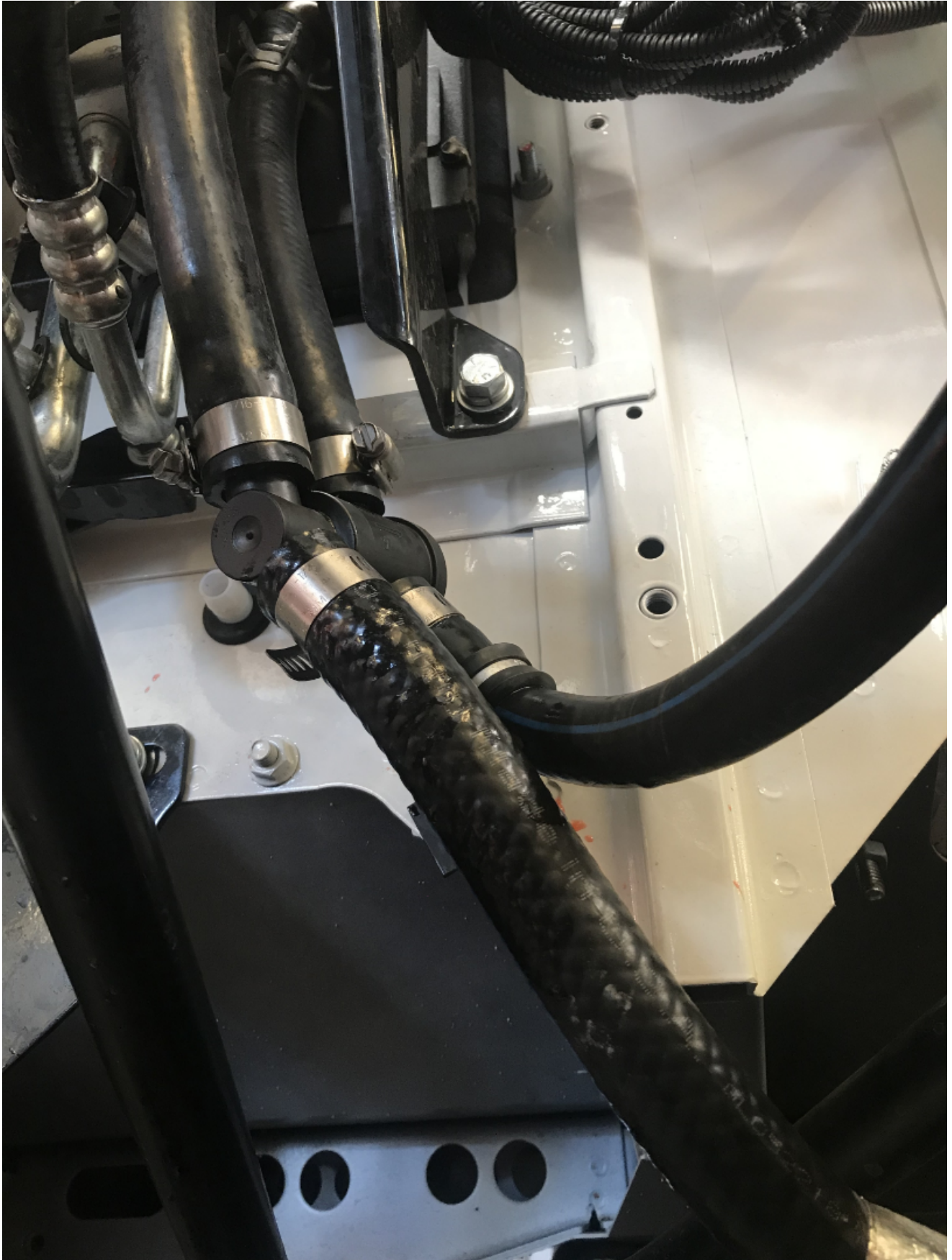


ISOMETRIC VIEW

NOTES:

1. VENDOR: MAHLE
2. MAHLE P/N: GG803001 (DTNA P/N: 05-32183-000).
3. IDENTIFY COMPONENT PER SPEC 49-00051.
4. PLACE VENDOR TRADEMARK OR IDENTIFICATION WITHIN 12MM ADJACENT TO PART NUMBER
5. ALL DIMENSIONS SHOWN ARE FOR REFERENCE ONLY.
6. ALL VENDOR GEOMETRY SHOWN IS FOR REFERENCE ONLY. CONTACT THE VENDOR DIRECTLY FOR ACTUAL AND COMPLETE PART DEFINITION.

SS 1034500 WST HVAC Shutoff Valve (X15 Cummins Only)



SS 1034500 WST HVAC Shutoff Valve (X15 Cummins Only)