

Constellation > 4900 Models
Heritage > 5700 Models
> 4700 Models > 5900 Models
> 4800 Models > 6900 Models

**Western Star
Service Bulletin**

General Information

The EquiFlo® Inboard Fuel System allows fuel to be drawn equally from, and returned to, each tank so that their levels remain equal. The fuel tank breather allows the fuel tanks to maintain atmospheric pressure inside the fuel tanks allowing fuel to be drawn and returned to each tank equally. See [Fig. 1](#).

A fuel tank breather tube that has become restricted (frozen, pinched, plugged, melted, etc) can result in fuel being drawn and/or returned to just one tank. Intermittent breather restrictions have been seen with frozen snow slush accumulating on the frame rail side of the fuel tanks. Indications of a problem would be one tank being low on fuel while the other has substantially more fuel, or one tank running out of fuel without notice.

A design change has been made for new production vehicles to reduce field issues, which includes shortening the breather tube and securing it to the side of the fuel tank.

If this condition occurs and an inspection of the fuel tank breather shows a restriction in the breather tube, replace the breather tube using the following instructions.

47-015

Equiflo Fuel System Breather Tube Inspection

Western Star
Service Bulletin

Constellation
Heritage
> 4700 Models
> 4800 Models

> 4900 Models
> 5700 Models
> 5900 Models
> 6900 Models

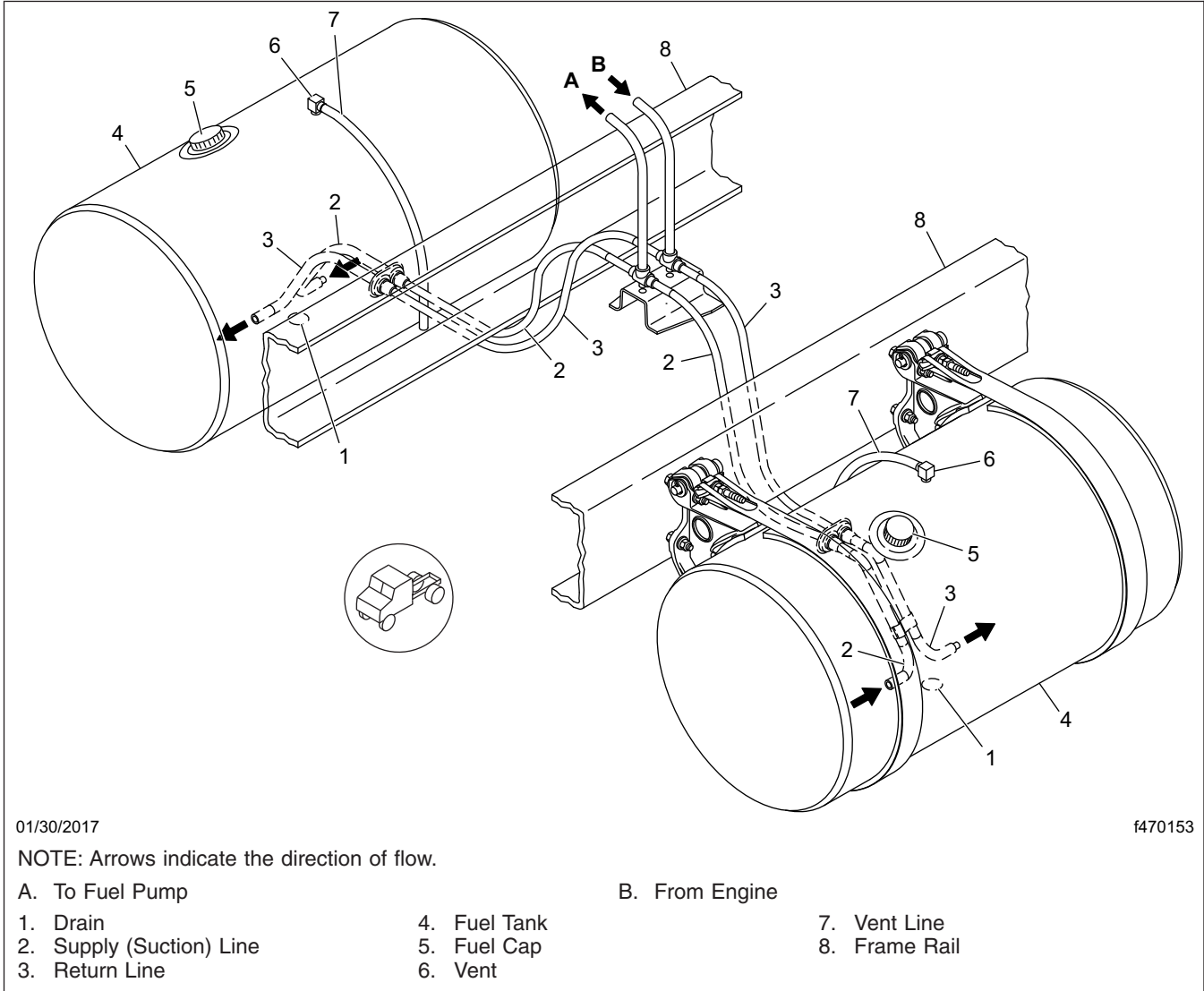


Fig. 1, EquiFlo Inboard Fuel System

Parts

Part Number	Description	Quantity
48-25024-301	TUBE-NYLON REINF,3/8 BLUE,FUEL	20 inches
23-14232-000	MOUNT-CABLE TIE,WIDE,ADHESIVE	2

Table 1, Parts Required

Constellation > 4900 Models
 Heritage > 5700 Models
 > 4700 Models > 5900 Models
 > 4800 Models > 6900 Models

Western Star
 Service Bulletin

Fuel Tank Breather Tube Installation For Cylindrical and Rectangular Tanks

1. Park the vehicle on a level surface, shut down the engine, and set the parking brake. Chock the tires.
2. Shorten or replace the existing blue fuel tank breather tube as follows.
 - For cylindrical tanks, cut to a length of 12 inches (30 cm).
 - For rectangular tanks, cut to a length of 15 inches (38 cm).

3. Connect the breather tube to the breather.

NOTE: Use the natural roll of the tube to follow the curve of the fuel tank.

4. Trim the end of the breather tube at a 45-degree angle with the tube opening facing to the rear of the fuel tank. See [Fig. 2](#) and [Fig. 3](#).

NOTE: Clean the fuel tank surface with alcohol before attaching the adhesive-backed cable tie.

5. Install the adhesive-backed cable tie on the fuel tank surface approximately 2.5 inches from the end of the breather tube. See [Fig. 2](#) and [Fig. 3](#).

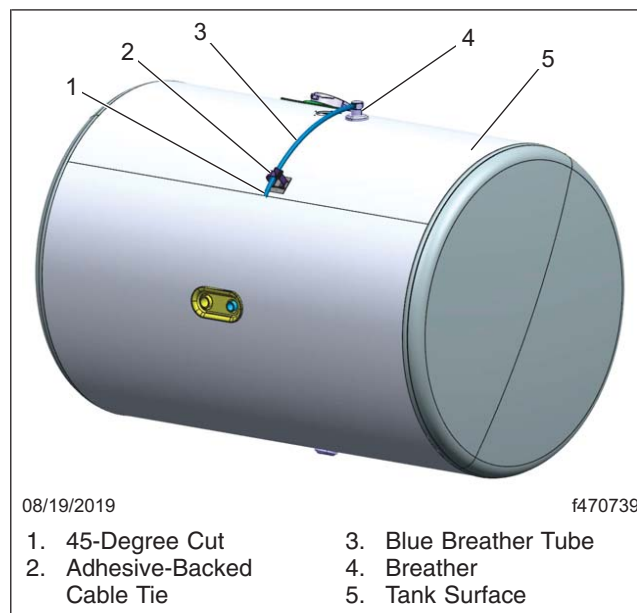


Fig. 2, Cylindrical Fuel Tank

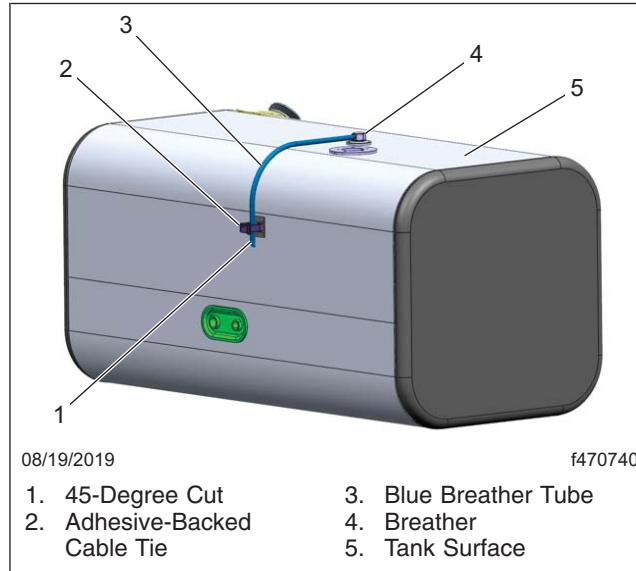


Fig. 3, Rectangular Fuel Tank

6. Use a zip tie to attach the breather tube to the adhesive-backed cable tie.
7. Repeat the installation for the fuel tank on the opposite side.

Warranty

This is an information bulletin only. Warranty does not apply. Contact your DSM for issues concerning this repair.