



Technical Journal

TITLE:

Front passenger seat, noise when turning

REF NO: TJ 33234.2.0	ISSUING DEPARTMENT: Technical Service	CAR MARKET: United States and Canada	
PARTNER: 3 US 7510 Volvo Car USA		ISSUE DATE: 2019-08-20	STATUS DATE: 2019-08-27
FUNC GROUP: 8521	FUNC DESC: Front seat, complete	Page 1 of 6	

“Right first time in Time”

Attachment

File Name	File Size
TJI-508697-2_1_0_en-US.pdf	0.9010 MB

Vehicle Type

Type	Eng	Eng Desc	Sales	Body	Gear	Steer	Model Year	Plant	Chassis range	Struc Week Range
246							2018-2019	21	0000389-0266980	201717-201840
246							2018-2019	36	0024576-0316152	201746-201840

CSC Customer Symptom Codes

Code	Description
ZD	Front seat/Squeak/rattle

VST Operation Number

VST Operation Number	Description
98701-2	Front seat adjust acc. TJ33234

DTC Diagnostic Trouble Codes

Rows beginning with * are modified

Note! If using a printed copy of this Technical Journal, first check for the latest online version.



Text

DESCRIPTION:

* Breakpoints added.

With the passenger seat in lowest position; if a clunking or snapping noise is heard from the front passenger seat lower and rear area, follow the method under Service.

SERVICE:

Install plastic clips p/n 9475400 according to attachment TJI-508697-2_1_0_xx-XX.pdf. Replace on passenger side.

VEHICLE REPORT:

Yes, please submit a Vehicle Report if the service solution described in this TJ has no effect. Use concern area "Vehicle Report" and sub concern area "Support not needed", use function group 8521.

To view TJ attachment continue to next page. This TJ has one attachment.



Volvo Car Customer Service

TJ Instruction VCC-508697-2

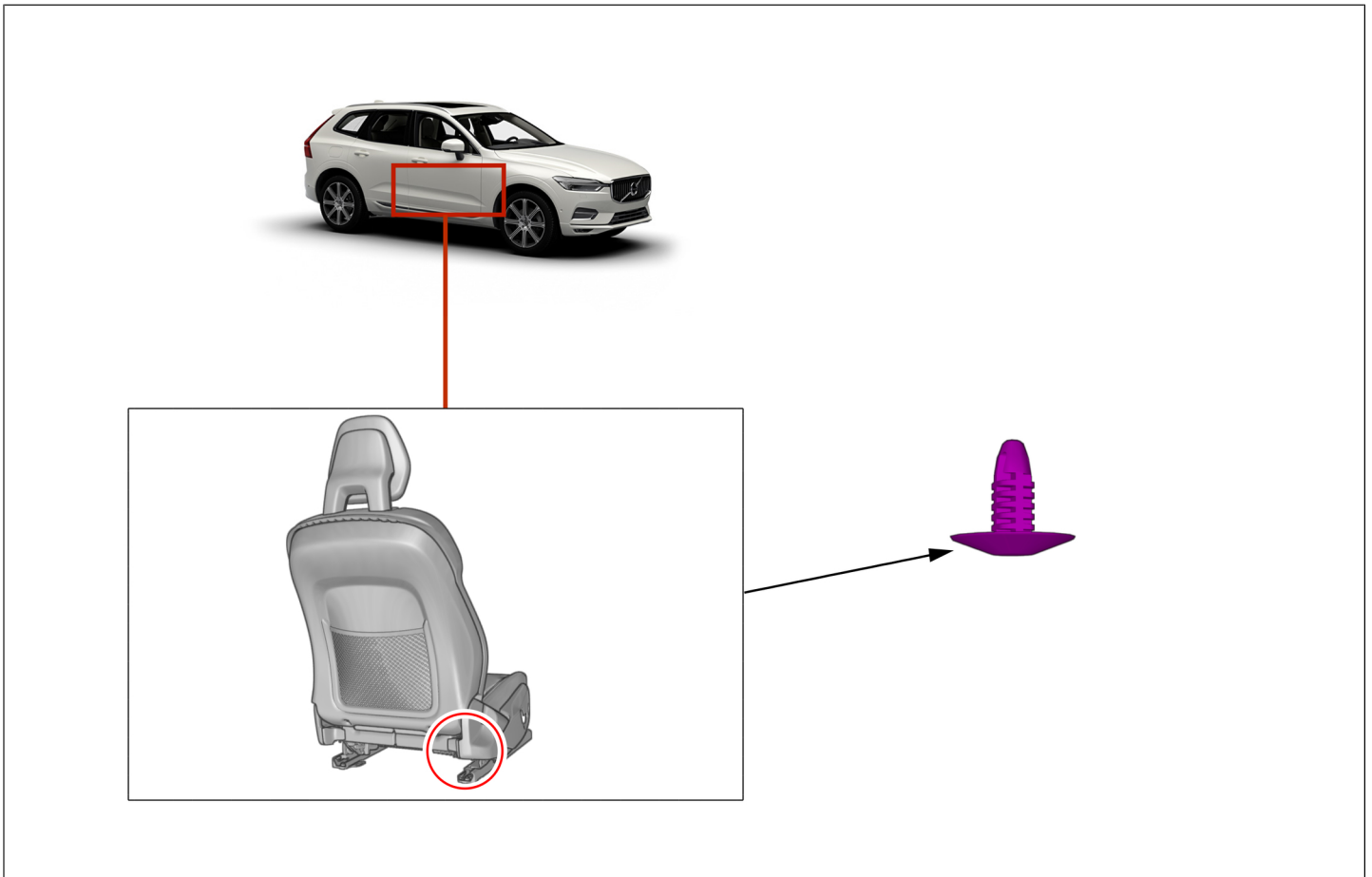
Title	Passenger seat	Page	1 (4)
Action	Product fix	Operation number:	98701-2

Issue	Date	Reason
1	2017-12	First issue

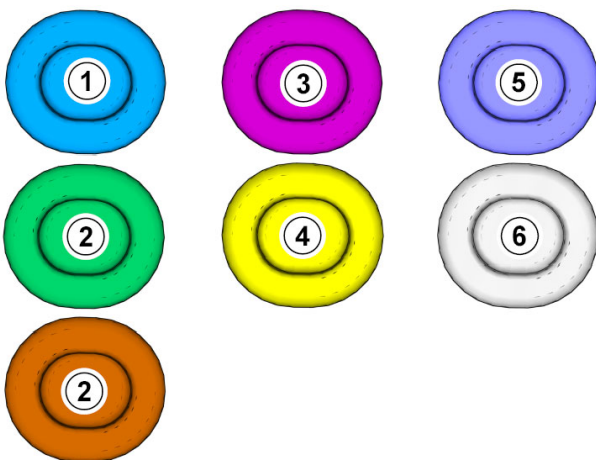
Materials

Materials	Qty.	Part No.	Notes
Plastic rivet	2.0	9475400	

Removal



Color symbols



Note! This colour chart displays (in colour print and electronic version) the importance of the different colours used in the images of the method steps.

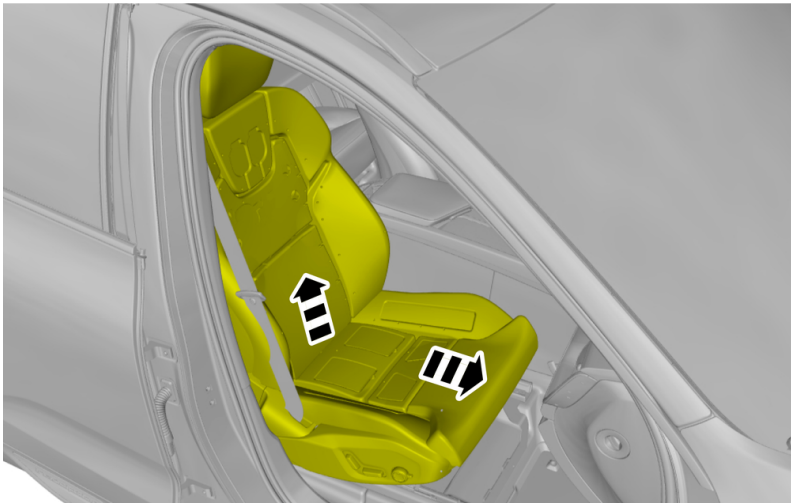
- 1 . Used for focused component, the component with which you will do something.
- 2 . Used as extra colors when you need to show or differentiate additional parts.
- 3 . Used for attachments that are to be removed/installed. May be screws, clips, connectors, etc.
- 4 . Used when the component is not fully removed from the vehicle but only hung to the side.
- 5 . Used for standard tools and special tools.
- 6 . Used as background color for vehicle components.

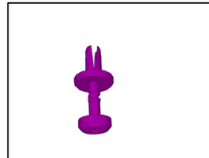
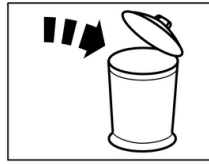
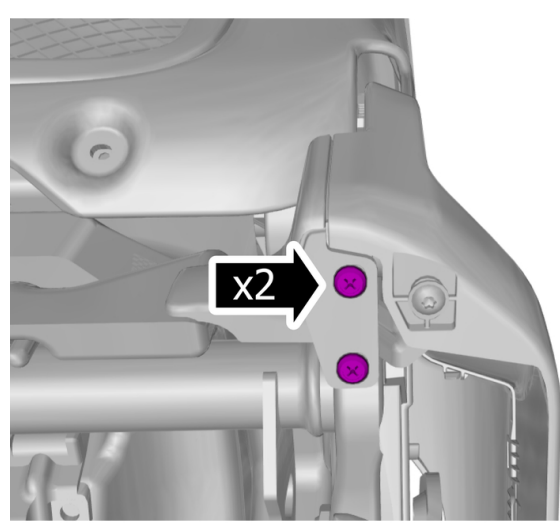
Applies to the passenger side

Note! Orientation view



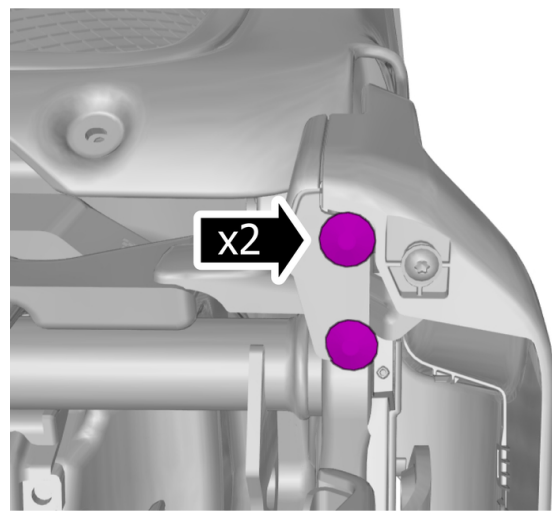
These installation instructions show installation on left hand drive cars.





Remove the marked detail/details.

Installation



Install the marked components.