



**\*\* SOLUTION \*\***

Title Volvo Chassis - Diesel Exhaust Fluid (DEF) Access Door Installation Instructions

**Volvo Models**

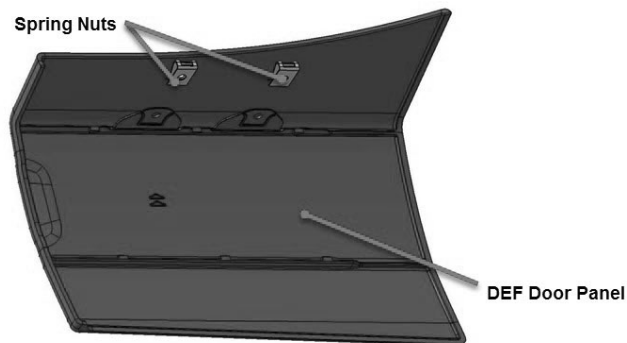
Volvo Model VN, VNL, VNR, VNX, VAH, VHD

**\*\* SOLUTION \*\***

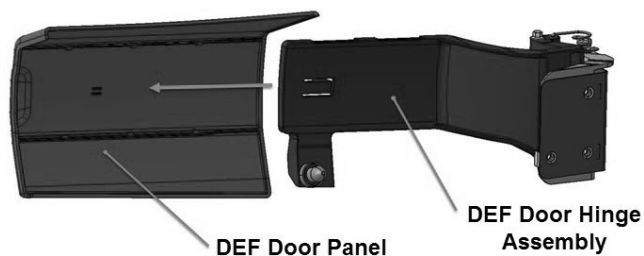
Cause An improperly installed DEF access door may allow the door to come open during vehicle operation.

**Solution** **DEF Access Door Installation**

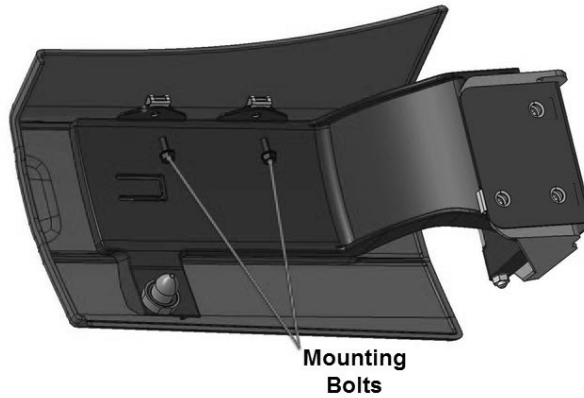
1. Install two (2) spring nuts (PN 994944) onto the tabs on the backside of the DEF door panel (PN 84733671).



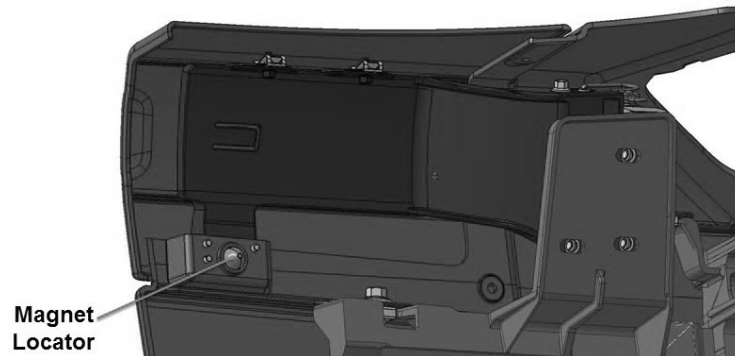
2. Slide and snap the DEF door hinge assembly (PN 84733141) into the snap features on backside of the DEF door panel (PN 84733671).



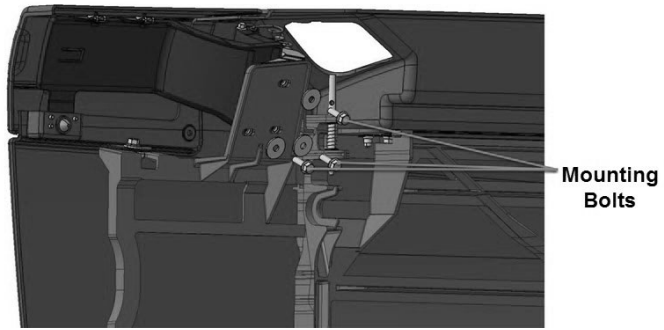
3. Install two (2) bolts (PN 996062) onto the spring nuts previously installed on DEF door panel.



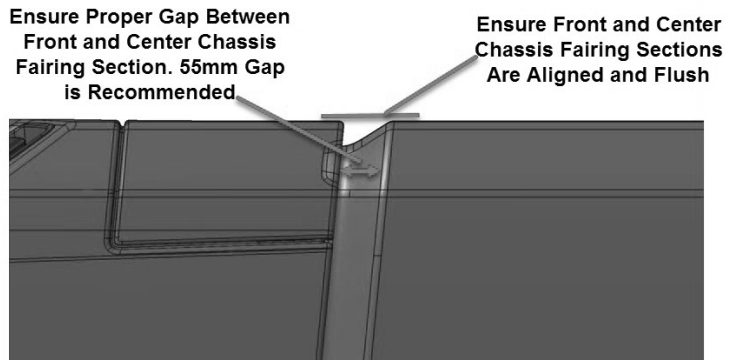
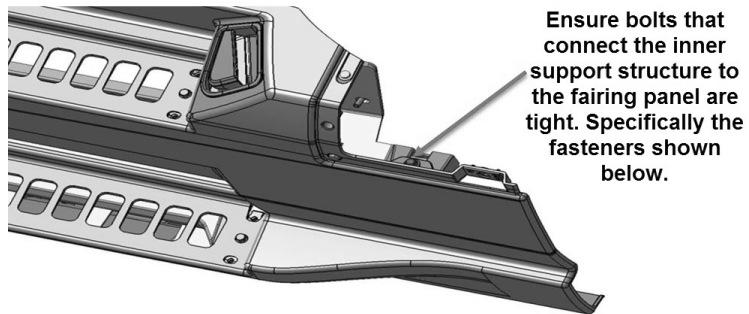
4. Install the complete DEF door assembly onto the front chassis fairing assembly by using the magnet locator to correctly position the door assembly.



5. Install three (3) bolts (PN 995525) with three (3) washers (PN 994861) to secure the complete DEF door assembly in position.



**Check for proper Fit and Function**



-----  
 Solution visibility                      Dealer distribution  
 -----

**Function(s)/component(s) affected**

-----  
 Function affected                      Body and Trim  
 -----

**Function Group**

-----  
 Function Group                      891 exterior equipment  
 -----

**Customer effect**

-----

---

|                   |                                    |
|-------------------|------------------------------------|
| Visual appearance | loose , part lost/missing function |
|-------------------|------------------------------------|

---

### **Conditions**

---

|                  |   |
|------------------|---|
| Other conditions | after a workshop procedure on the vehicle |
|------------------|---|

---

### **Administration**

---

|        |         |
|--------|---------|
| Author | UT0783V |
|--------|---------|

---

|           |         |
|-----------|---------|
| Dealer ID | UT0783V |
|-----------|---------|

---

|                  |         |
|------------------|---------|
| Last modified by | A241298 |
|------------------|---------|

---

|               |                  |
|---------------|------------------|
| Creation date | 06-08-2019 17:08 |
|---------------|------------------|

---

|                     |                  |
|---------------------|------------------|
| Date of last update | 14-08-2019 14:08 |
|---------------------|------------------|

---

|             |                  |
|-------------|------------------|
| Review date | 10-02-2020 00:02 |
|-------------|------------------|

---

|        |           |
|--------|-----------|
| Status | Published |
|--------|-----------|

---