

Roof Box 320

Revision: **This bulletin replaces bulletin Group 6, #28/14, dated August 23, 2016.**

This revision now includes Cayenne (9YB) Coupe models.

Model Year: **As of 2003**

- Vehicle Types:
- **Macan (95B) – all models** with roof rails (I-no. 3S1/3S5) or with roof transport system (5W1/5W4)
 - **911 Carrera (991)/Turbo (991) – all models, body type: Coupé ONLY** with roof transport system (549)
 - **911 Carrera (997)/Turbo (997) – all models, body type: Coupé ONLY** with roof transport system (549)
 - **Panamera (971) – all models** with **short wheelbase** and with roof transport system (549)
 - **Panamera (970) – all models** with **short wheelbase** and with roof transport system (549)
 - **Cayenne (9YA) – all models** with roof rails (3S1/3S2) and roof transport system (5W1/5W4)
 - **Cayenne (9YB) – all Coupé models** with roof transport system (TEQUIPMENT)
 - **Cayenne (92A) – all models** with roof rails (3S1/3S5) or with roof transport system (5W1/5W4)
 - **Cayenne (9PA) – all models** with roof rails (3S7) or with roof transport system (3S8)

Concern: **Instructions for assembly and use**

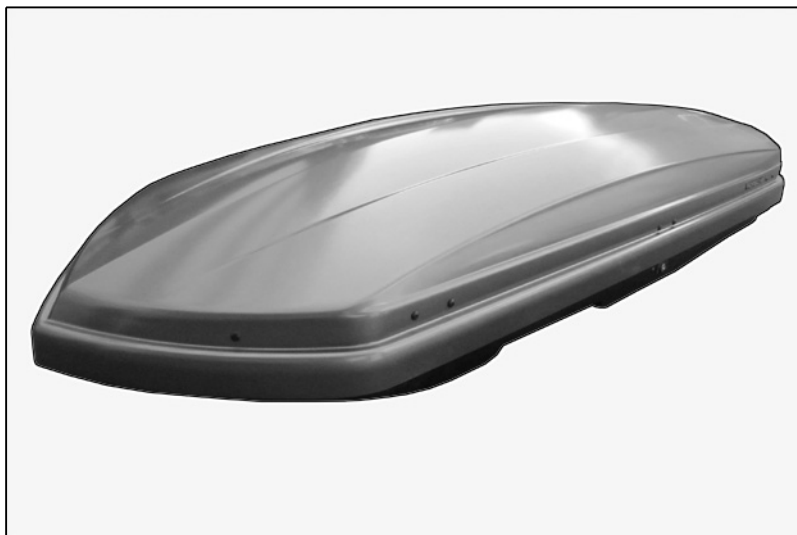


Figure 1

Note: A roof box 320 (⇒ Figure 1) can be fitted on the base carriers (roof rail bars or roof transport system, referred to below simply as "roof transport system") of the vehicles specified above.

The roof box 320:

- was tested on the vehicles specified above and adapted accordingly;

- increases the luggage space of the vehicle by approx. 11.3 cu. ft. (320 liters);
- can be opened from either longitudinal side;
- has air ducts running lengthways, which minimize drag and interfering driving noises;
- has a safety closing system. The key can be removed only when the lid of the roof box 320 is closed properly. To close the lid properly, all six closing points must be closed and the key must be at the "locked" position.

Parts Info: **958.044.000.25** ⇒ Roof box 320 –color: black–, set
958.044.000.26 ⇒ Roof box 320 –color: Platinum Look–, set

Parts List:



Figure 2

----	1 x	Roof box 320 ⇒ Figure 2-1-
955.044.000.59	1 x	⇒ Spare key, set (2 keys with key code) ⇒ Figure 2-2-
----	3 x	Tension strap ⇒ Figure 2-3-
----	1 x	Warning (sticker) ⇒ Figure 2-4-
----	4 x	T-bolt, M8 x 55 ⇒ Figure 2-5-
----	4 x	Clamping piece ⇒ Figure 2-6-

	— — —	8 x	Butterfly nut, M8 ⇒ <i>Figure 2-7-</i>
	— — —	1 x	Instructions for assembly and use (not shown)
Spare Parts:	958.044.000.21	1 x	⇒ Assembly kit (small parts/spare parts), set comprising:
	— — —	3 x	Tension strap ⇒ <i>Figure 2-3-</i>
	— — —	4 x	T-bolt, M8 x 55 ⇒ <i>Figure 2-5-</i>
	— — —	4 x	Clamping piece ⇒ <i>Figure 2-6-</i>
	— — —	4 x	Butterfly nut, M8 ⇒ <i>Figure 2-7-</i>

Note: The keys (⇒ *Figure 2-2-*) can be re-ordered if lost by specifying the part number and the code "Nxxx" (possible codes range from N001 to N200) specified on the lock cylinder.

- Technical Data:
- Max. length: 2,060 mm
 - Max. width: 840 mm
 - Max. height: 340 mm
 - Empty weight: 39.9 lbs (18 kg)¹

¹ Observe permissible roof load for the vehicle (⇒ Owner's Manual, section on 'Weights')

⚠ WARNING

Improper loading and fitting of the roof transport system or add-on modules

- Danger of objects falling down
 - Danger of objects sticking out
- ⇒ Load the roof transport system or add-on modules in such a way that the load does not project over the sides of the roof area.
- ⇒ Select the distances between several add-on modules mounted next to each other so that the transported items cannot bump against each other during the trip.
- ⇒ Secure load sufficiently to prevent it from shifting during the trip.
- ⇒ Check the roof transport system or add-on modules regularly before each trip and during an extended trips to make sure they are seated correctly and securely on the vehicle.

⚠ CAUTION

Driving with a roof load

- Higher center of gravity
- Larger area exposed to the wind
- Different vehicle handling

⇒ Adapt driving style accordingly.

⇒ Read the speed instructions and general information on the "Roof transport system" in the Owner's Manual.



Information

Please inform the customer of this accordingly.

Work Procedure: 1 Preparing roof box 320 for mounting



Information

When opening, make sure that the opposite lock is locked.

1.1 Unpack the roof box and unlock it with one of the keys supplied. Turn the key clockwise to do this.

1.2 Fit the clamping pieces

- 1 – Perforated strips
- 2 – Guide in the roof box floor
- 3 – Desired breaking point (bore) in the perforated strip
- 4 – T-bolt, M8 x 55
- 5 – Clamping piece
- 6 – Butterfly nut, M8

1.2.1 Move all four perforated strips into the guides so that the center desired breaking point (bore) is centered in the cut-out on the guide.

1.2.2 Press a T-bolt (M8 x 55) through the desired breaking point (bore) from below.

1.2.3 Fit clamping piece onto the thread of the T-bolt.

1.2.4 Loosely fit M8 butterfly nut (⇒ *Figure 3*).

Fit the remaining 3 clamping pieces in the same way.

1.3 Lock roof box 320.

2 Fit roof transport system on the vehicle (⇒ Owner's Manual, section on 'Roof Transport System').

3 **ONLY for Cayenne (9PA; MY 2003 – 2010):** Position roof carrier systems on the vehicle.

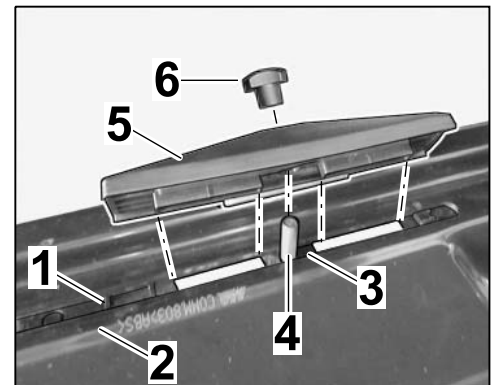


Figure 3

3.1 Vehicles with roof transport system

arrow – Cut-out in guide rail

1-2 – Groove in guide rail for carrier (front)

3-6 – Groove in guide rail for carrier (rear)

X – Control dimension approx. 800 mm

3.1.1 Open side roof transport system caps on the roof transport system carrier.

3.1.2 Fit the front/rear carrier into the large cut-out on the guide rail (⇒ *Roof transport system on the Cayenne (9PA) -arrow-*) and push it forward or back towards the side grooves in the guide rails (⇒ *Roof transport system on the Cayenne (9PA) -top-*).

You will feel slight resistance and hear a click at these positions.

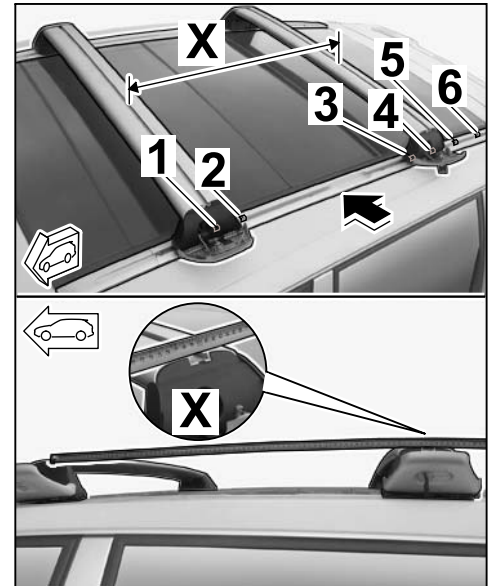
- Position of front carrier: front groove (⇒ *Roof transport system on the Cayenne (9PA) -1-*)
- Position of rear carrier: second groove after the large cut-out (⇒ *Roof transport system on the Cayenne (9PA) -4-*)

3.1.3 Check gap **X** between the carriers (⇒ *Roof transport system on the Cayenne (9PA) -bottom-*).

Gap X: Control value 800 mm +/-5 mm

3.1.4 Decide which side (driver's or passenger's side) you want to fit the add-on modules (roof box, bicycle rack, etc.) on and close the cap on the carrier on the opposite side.

This secures the carrier and prevents it from moving lengthways.



Roof transport system on the Cayenne (9PA)

3.2 Vehicles with roof rails

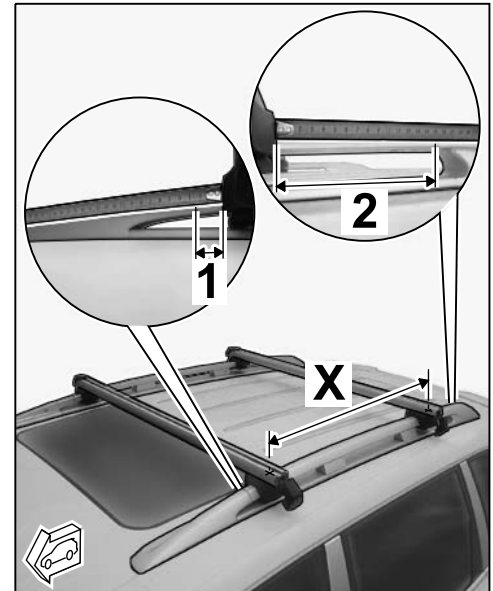
- 1 – Front bar/seam dimension
- 2 – Rear bar/seam dimension
- X – Control dimension approx. 800 mm

3.2.1 Loosen front/rear bar, check gaps with respect to the seam and make adjustments if necessary (⇒ *Roof rail bars on the Cayenne (9PA)*).

- **Quertraverse vorn: Control value 25 mm +/-2 mm**
- **Quertraverse hinten: Control value 150 mm +/-2 mm**

3.2.2 Bolt both bars securely to the roof rails.

3.2.3 Decide which side (driver's or passenger's side) you want to fit the add-on modules (roof box, bicycle rack, etc.) on and close the caps on the opposite side.



Roof rail bars on the Cayenne (9PA)

4 Loosely pre-fitting roof box 320 on the roof transport system

WARNING

Improper loading and fitting of the roof transport system or add-on modules

- Danger of objects falling down
 - Danger of objects sticking out
- ⇒ Load the roof transport system or add-on modules in such a way that the load does not project over the sides of the roof area.
- ⇒ Select the distances between several add-on modules mounted next to each other so that the transported items cannot bump against each other during the trip.
- ⇒ Secure load sufficiently to prevent it from shifting during the trip.
- ⇒ Check the roof transport system or add-on modules regularly before each trip and during an extended trips to make sure they are seated correctly and securely on the vehicle.

CAUTION

Incorrect installation, use or care of the roof box

- Risk of damage to the roof of the vehicle, tailgate and/or roof box

- ⇒ Since the roof box is large, it should always be installed and removed from the roof transport system by two people.
- ⇒ Open the roof box only if the opposite lock is locked.
- ⇒ Remove the roof box from the roof of the vehicle before washing the vehicle in an automatic car wash.
- ⇒ Keep in mind the new overall vehicle height when driving through tunnels or under low branches and when driving into parking garages and underpasses.
- ⇒ Clean the roof box using soapy water only (without alcohol, chlorine or ammonia additives); other substances could attack and damage the surface.
- ⇒ Do not put stickers on the roof box. The adhesive film can dissolve the surface of the roof box or cause tension cracks.
- ⇒ Occasionally spray the locks of the roof box with a commercially available spray lubricant. The lubricant must not come into contact with the plastic surface of the roof box.
- ⇒ When opening the rear lid for the first time, ensure that there is sufficient space between the rear lid and the installed roof box. Move the roof box forward in direction of travel if necessary.

4.1 Decide which side (driver's/passenger's side) you want to fit the roof box on.

4.2 Open the cap of the roof transport system (front/rear) on this side (⇒ Owner's Manual, section on 'Roof Transport System') and fit roof box 320 on the roof transport system (⇒ Figure 4).

- 1 – Sliding block at T-bolt (M8 x 55)
- 2 – Groove on roof transport system carrier

4.3 Check the position of the next sliding block (T-bolt, M8 x 55) with respect to the groove in the roof transport system carrier and align it as required (⇒ Figure 4 -A-).

4.4 Guide sliding block (T-bolt, M8 x 55) with roof box 320 into the groove on the carrier (front/rear).

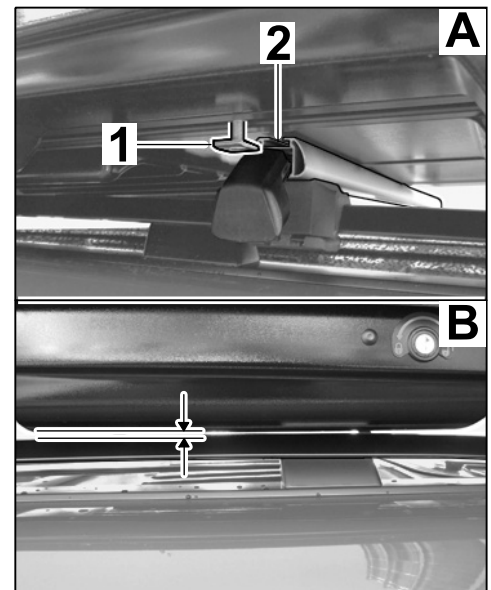


Figure 4



Information

When fitting the roof box, make sure there is enough space between the floor of the roof box and the roof of the vehicle/upper edge of the roof rails (⇒ Fig. 4 -B-)! Re-position the roof box on the carrier bars if necessary.

- 4.5 Carefully push roof box 320 at front and rear to the centre of the vehicle until the last two sliding blocks are touching the groove in the roof transport system carrier.
- 4.6 Adjust the position of the last two sliding blocks (T-bolt, M8 x 55) with respect to the groove in the roof transport system by moving them forward or back.

Push roof box 320 evenly towards the center of the vehicle.

- 4.7 Push roof box 320 forward as far as possible.
- 4.8 Align roof box 320 with respect to the roof transport system and the vehicle.

4.8.1 Sideways, with respect to the longitudinal axis of the vehicle (\Rightarrow Figure 5):

- Roof box 320, fitted by itself: Symmetrical with respect to the center of the vehicle/roof transport system
- Roof box 320 and other carrier systems (e.g. bicycle rack or ski rack): Roof box 320 and carrier systems, as well as the load, must not hit against each other during the trip.
- Roof box 320 and other carrier systems must NOT project over the surface area of the vehicle.

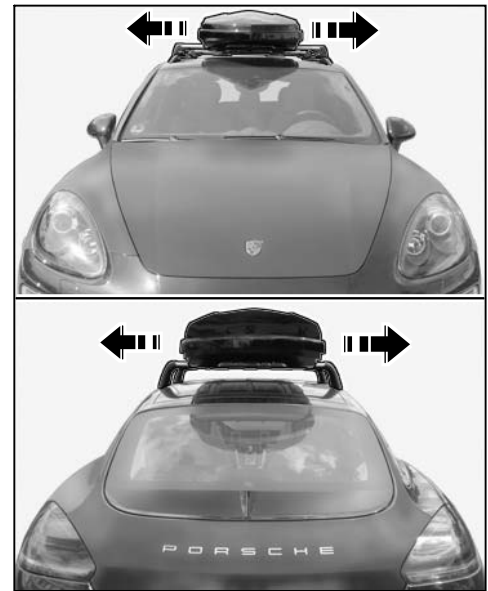


Figure 5

4.8.2 Overhang to the front (windshield) and rear (rear window/rear lid or tailgate):

- Y** – Imaginary line to the rain sensor
- X** – Gap to roof box 320/rear lid or tailgate

The roof box 320 on the roof transport system should overhang by the same amount at the front and rear. Please note the following points:

- Overhang to the front: Imaginary line to the rain sensor (if fitted near the top of the windscreen) should not be exceeded. The function of the rain sensor can be restricted in some cases.
- Overhang to the rear: Gap "X" must be maintained when the rear lid or tailgate is open fully.

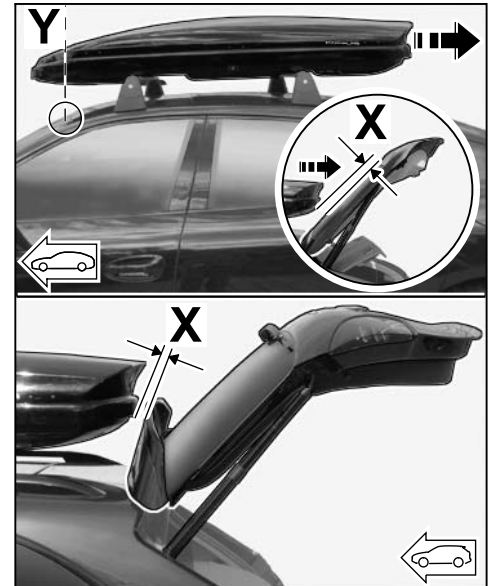


Figure 6

4.8.3 Carefully open the rear lid/tailgate of the vehicle and adjust gap "X" with respect to the roof box 320 (⇒ Figure 6).

ONLY for vehicles with (powerlift) tailgate/rear lid:

Set the opening angle (opening height) of the rear lid (⇒ Owner's Manual, 'Adjusting the opening height of the tailgate' in section on 'Tailgate').

4.9 Open roof box 320 on alternate sides and tighten the four M8 butterfly nuts.

When doing this, make sure the pins (underside of clamping piece) are seated correctly in the perforated strip (see Step 1.2).

4.10 Close the caps on the roof transport system.

5 Loading roof box 320

- 1 – Tension strap
- 2 – Eyelets on the floor of the roof box 320
- 3 – Butterfly nut with clamping piece

5.1 Feed the tension strap through the eyelets on the floor of the roof box 320.

Fit other tension straps in the same way, if necessary.

5.2 Load roof box 320 and secure the load with tension straps.

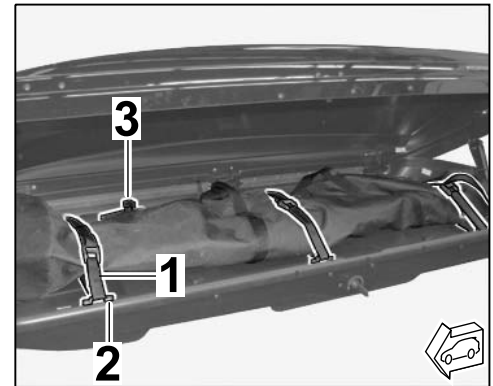


Figure 7



Information

Make sure there is enough space between the load (e.g. attachment point for skis) and the floor and roof box lid. Re-position the load or skis in the roof box if necessary.

5.3 Carefully close the lid of the roof box 320.



Information

The key can be removed only if the roof box is locked.

5.4 Lock roof box 320 by turning the key counter-clockwise and remove the key.

6 Removing roof box 320 from the roof transport system

6.1 Open roof box 320 and empty it completely.

6.2 Loosen the four M8 butterfly nuts slightly.

6.3 Open the side cap on the roof transport system (front/rear) on one side of the vehicle (⇒ Owner's Manual, section on 'Roof Transport System').

6.4 With the help of a second person, carefully pull roof box 320 sideways out of the carrier bars and remove it from the vehicle.

6.5 Lock roof box 320, clean it if necessary (observe warning notes) and store it lying flat in a suitable location.

- 6.6 Cleaning floor mats
 - 6.6.1 Take the floor mats out of the roof box 320.
 - 6.6.2 Clean the floor mats with clean water and leave them to dry.
 - 6.6.3 Position floor mats in roof box 320 as shown in Figure 8.
- 6.7 Close the side cap on the roof transport system (front/rear) (⇒ Owner's Manual, section on 'Roof Transport System').



Figure 8

66 92 23 06: –Roof box 320 (1 x) installed–
Includes: Unpacking roof box 320, reading instructions for use,
preparing roof box 320 for mounting and fitting roof box 320.

Labor time: **70 TU**

Important Notice: Technical Bulletins issued by Porsche Cars North America, Inc. are intended only for use by professional automotive technicians who have attended Porsche service training courses. They are written to inform those technicians of conditions that may occur on some Porsche vehicles, or to provide information that could assist in the proper servicing of a vehicle. Porsche special tools may be necessary in order to perform certain operations identified in these bulletins. Use of tools and procedures other than those Porsche recommends in these bulletins may be detrimental to the safe operation of your vehicle, and may endanger the people working on it. Properly trained Porsche technicians have the equipment, tools, safety instructions, and know-how to do the job properly and safely. Part numbers listed in these bulletins are for reference only. The work procedures updated electronically in the Porsche PIWIS diagnostic and testing device take precedence and, in the event of a discrepancy, the work procedures in the PIWIS Tester are the ones that must be followed.

©2019 Porsche Cars North America, Inc.