



S19AG

September 23, 2019

To: Affected US Dealers

Subject: S19AG, Air Conditioning Relay

Models Affected: Model Year: Certain 2015 to 2021 (School Bus and Non-School Bus)
Model: Vision and All American

Bulletin Duration: One (1) Year from Date of Issue

Overview:

Blue Bird has determined that the CIT brand air conditioning relays should be replaced with Song Chuan brand relays (PN 00079077). Additionally, the wiring harness (PN 10023917) connected to the relay base should be inspected for any sign of damage and replaced, if necessary. Blue Bird will provide parts at no cost and will reimburse the repair time in accordance with the information presented below.

Affected Units:

This service bulletin includes:

- Certain model year 2015-2021 Vision School Buses manufactured from August 5, 2014 through September 11, 2019.
- Certain model year 2016-2021 All American School Buses manufactured from May 8, 2015 through September 8, 2019.
- Certain model year 2016-2021 Vision Non-school Buses manufactured November 20, 2014 through August 10, 2019.
- Certain model year 2015-2020 All American Non-school Buses manufactured September 15, 2014 through September 7, 2019.

A separate printout will be provided listing all buses in your territory that are affected by this service bulletin. Service Bulletin S19AG will be mailed to all owners on record. Be sure to review your list and advise of any incorrect owner names and/or addresses. On the subject buses, the Dealer is to remove the CIT brand air conditioning relays and replace with Song Chuan brand relays (PN 00079077). Additionally, the Dealer is required to inspect the wiring harness (PN 10023917) connected to the relay base for any sign of damage and replace, if necessary.

Repair Parts:

Item Number	Part Number	Description	Quantity
1	00079077	RELAY,ELEC,70 AMP,RELAY A31ASQ12VDC2R	4
2	10023917	HARNESS,WRG,CARRIER ELEC PANEL,MAN CONTROL	1 (If Needed)

Note: Parts/Items required to perform Service Bulletin S19AG should be ordered through Blue Bird Service Parts.



BLUE BIRD

Blue Bird Body Company
Page 2

S19AG

Time Allowance:

Time allowed to complete the replacement of the Air Conditioner Relay is outlined below:

Repair A (A/C Relay) .1 (6 minutes)

Repair B (A/C Relay Harness) .5 (30 minutes)

Remedy to be performed, per enclosed campaign instructions.

Completion Notification:

To request reimbursement for completed repairs, Dealers may submit claims via Blue Bird ClaimsCenter. Upon submission and approval of the claim, the body number will be flagged 'Completed/Claim'. For completed repairs where **no** reimbursement is requested, Dealers shall send the body number, repair date, odometer, and name of the repair facility to campaignparts@blue-bird.com the body number will be flagged 'Completed/Reply'.

If the modification directed by this notification **was performed** on your unit prior to the receipt of this notification, you may be eligible to receive reimbursement for the cost of obtaining a pre-notification remedy of the subject matter of the campaign. Please provide a copy of all receipts to campaignparts@blue-bird.com.

Bulletin Duration:

This Service Bulletin ends one (1) year from date of issue.

Repair Facility:

Owners are being advised to contact their Dealer for completion of this repair.

Questions:

Questions regarding this bulletin should be directed to your Blue Bird Field Service Engineer.

Regards,

Lisa Hancock

Corporate Recall Administrator
Blue Bird Corporation
3920 Arkwright Road, Suite 200, Macon, Georgia 31210
Phone 478.822.2242
lisa.hancock@blue-bird.com



S19AG

September 23, 2019

To: Blue Bird Owner

Subject: S19AG, Air Conditioning Relay

Models Affected: Model Year: Certain 2015 to 2020 (School Bus and Non-School Bus)
Model: Vision and All American

Bulletin Duration: One (1) Year from Date of Issue

Overview:

Blue Bird has determined that the CIT brand air conditioning relays should be replaced with Song Chuan brand relays (PN 00079077). Additionally, the wiring harness (PN 10023917) connected to the relay base should be inspected for any sign of damage and replaced, if necessary. Blue Bird will provide parts at no cost and will reimburse the repair time in accordance with the information presented below.

Affected Units:

This service bulletin includes:

- Certain model year 2015-2021 Vision School Buses manufactured from August 5, 2014 through September 11, 2019.
- Certain model year 2016-2021 All American School Buses manufactured from May 8, 2015 through September 8, 2019.
- Certain model year 2016-2021 Vision Non-school Buses manufactured November 20, 2014 through August 10, 2019.
- Certain model year 2015-2020 All American Non-school Buses manufactured September 15, 2014 through September 7, 2019.

A separate printout is included which lists all of your buses that are affected by this service bulletin.

Repair Parts:

Item Number	Part Number	Description	Quantity
1	00079077	RELAY,ELEC,70 AMP,RELAY A31ASQ12VDC2R	4
2	10023917	HARNESS,WRG,CARRIER ELEC PANEL,MAN CONTROL	1 (If Needed)

Note: Parts/Items required to perform Service Bulletin S19AG should be ordered through Blue Bird Service Parts.



BLUE BIRD

Blue Bird Body Company
Page 2

S19AG

Time Allowance:

Time allowed to complete the replacement of the Air Conditioner Relay is outlined below:

Repair A (A/C Relay) .1 (6 minutes)

Repair B (A/C Relay Harness) .5 (30 minutes)

Remedy to be performed, per enclosed campaign instructions.

Completion Notification:

If you perform this service bulletin yourself or have an outside repair facility perform this bulletin, please notify your Blue Bird Dealer when the repair is completed. Send the body number, repair date, and odometer reading to your Blue Bird Dealer. If you request reimbursement for labor, also send a copy of the work order/invoice to your Blue Bird Dealer.

If the modification directed by this notification **was performed** on your unit prior to the receipt of this notification, you may be eligible to receive reimbursement for the cost of obtaining a pre-notification remedy of the subject matter of the campaign. Please provide a copy of all receipts to campaignparts@blue-bird.com

Bulletin Duration:

This Service Bulletin ends one (1) year from date of issue.

Repair Facility:

We encourage you to contact your Blue Bird Dealer to arrange to have this Service Bulletin performed. However, you may elect and have the option to perform this Service Bulletin yourself or have a qualified repair facility convenient to you perform this work. A qualified technician must perform work required under this bulletin.

Questions:

Questions regarding this bulletin should be directed to your Blue Bird Dealer.



Models Affected: Certain 2014 - 2020 Vision and All American Buses with Air Conditioning

Issue: Air Conditioner Relay May Fail

Corrective Action: Replace Air Conditioner Relay

Parts/Items Needed:

Item Number	Part Number	Description	Quantity
1	00079077	RELAY,ELEC,70 AMP,RELAY A31ASQ12VDC2R	4
2	10023917	HARNESS,WRG,CARRIER ELEC PANEL,MAN CONTROL	1 (if Needed)

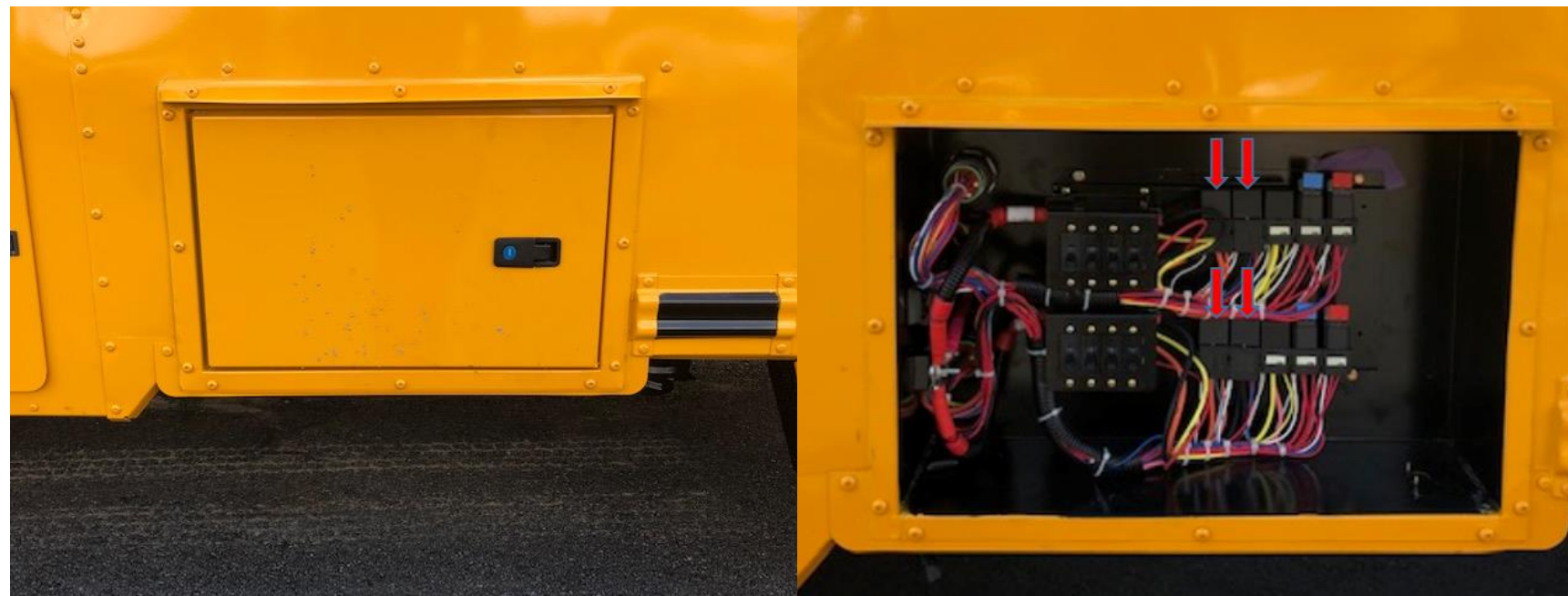
Note: Parts/Items required to perform Service Bulletin S19AG should be ordered through Blue Bird Service Parts

WARNING: Always follow all Federal, State, Local, and Shop safety standards and use proper safety equipment, and thoroughly read and understand all instructions before performing these procedures. Park bus on level surface, apply parking brake, turn off ignition key, and chock wheels.

Disconnect Batteries: Note when disconnecting the batteries, remove negative cable first.

Instructions:

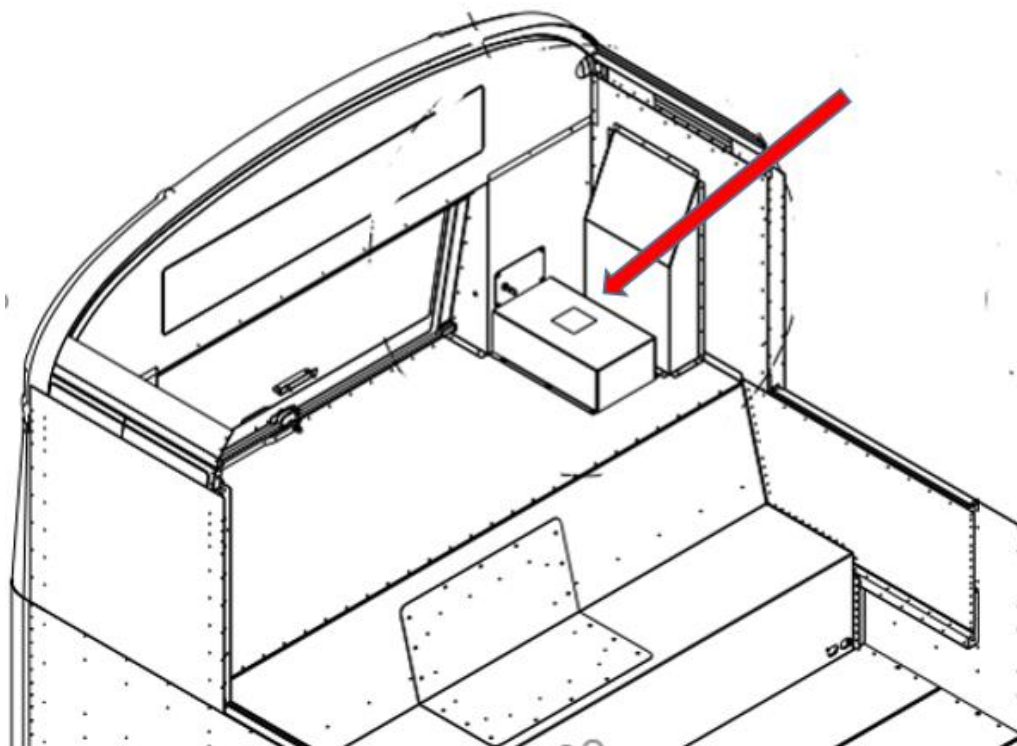
1. Locate the air conditioner relays and harness assembly.
 - a. For Vision and Front Engine All American the relays are in air conditioner electrical compartment which is on the left-hand skirt panel rear of the battery compartment.



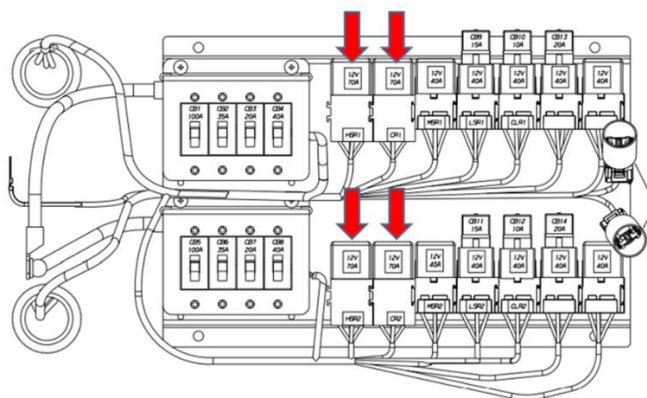
Compartment Door

Compartment Door Open

- b. For Rear Engine All American the relays are in the air conditioner electrical compartment, which is located on the rear davenport deck.



2. Open the compartments and locate the four relays indicated that are used in the air conditioning circuit.



3. Remove the CIT brand relays and replace with the Song Chuan brand.
4. Inspect harness 10023917 connected to the relay base for any sign of damage and replace, if necessary.