

JLRTB02000NAS1
TECHNICAL BULLETIN
 19 AUG 2019



© Jaguar Land Rover North America, LLC

NOTE: The information in Technical Bulletins is intended for use by trained, professional Technicians with the knowledge, tools, and equipment required to do the job properly and safely. It informs these Technicians of conditions that may occur on some vehicles, or provides information that could assist in proper vehicle service. The procedures should not be performed by 'do-it-yourselfers'. If you are not a Retailer, do not assume that a condition described affects your vehicle. Contact an authorized Land Rover service facility to determine whether this bulletin applies to a specific vehicle.

INFORMATION

SECTION:

501-03

SUBJECT/CONCERN:

Creak Noise From The Door Check Arm Area

AFFECTED VEHICLE RANGE:

MODEL:	MODEL YEAR:	VIN:	ASSEMBLY PLANT:
E-PACE (X540)	2018-2019	Z00381-Z73019	Graz (Austria)

MARKETS:

NORTH AMERICA

CONDITION SUMMARY:

SITUATION:

A creak noise can be heard from the door check arm area when opening and closing the front and/or rear doors.

CAUSE:

Retention features on check arm cover are not robust.

ACTION:

Follow the instructions below.

PARTS:

PART NUMBER	DESCRIPTION	QUANTITY
J9C5872	J-nut clip	4

WARRANTY:**NOTES:**

- Repair procedures are under constant review, and therefore times are subject to change; those quoted here must be taken as guidance only. Use TOPIx to obtain the latest repair time.
- The JLR claims submission system requires the use of causal part numbers. Labor only claims must show the causal part number with a quantity of zero.

DESCRIPTION	SRO	TIME (HOURS)	CONDITION CODE	CAUSAL PART
Front door check arm - Renew	76.28.44	0.3	33	JDE21269
Front door check arm - Pair - Renew	76.28.64	0.6	33	JDE21269
Rear door check arm - Renew	76.28.45	0.3	33	JDE21269
Rear door check arm - Pair - Renew	76.28.65	0.6	33	JDE21269

NOTE:

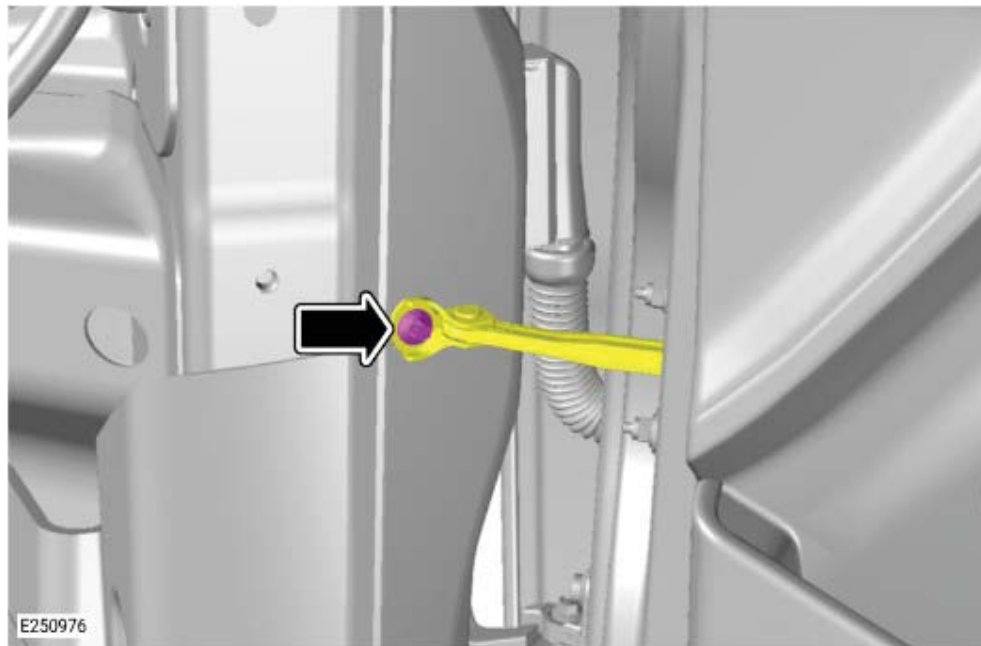
Normal Warranty procedures apply.

FRONT DOOR CHECK ARM ASSEMBLY REMOVAL**NOTE:**

Only remove affected door check arm assemblies.

1. Remove the bass speaker from the front door, to access the front door check arm (see TOPIx Workshop Manual section 415-01: Information and Entertainment System - Removal and Installation - Front Door Bass Speaker).

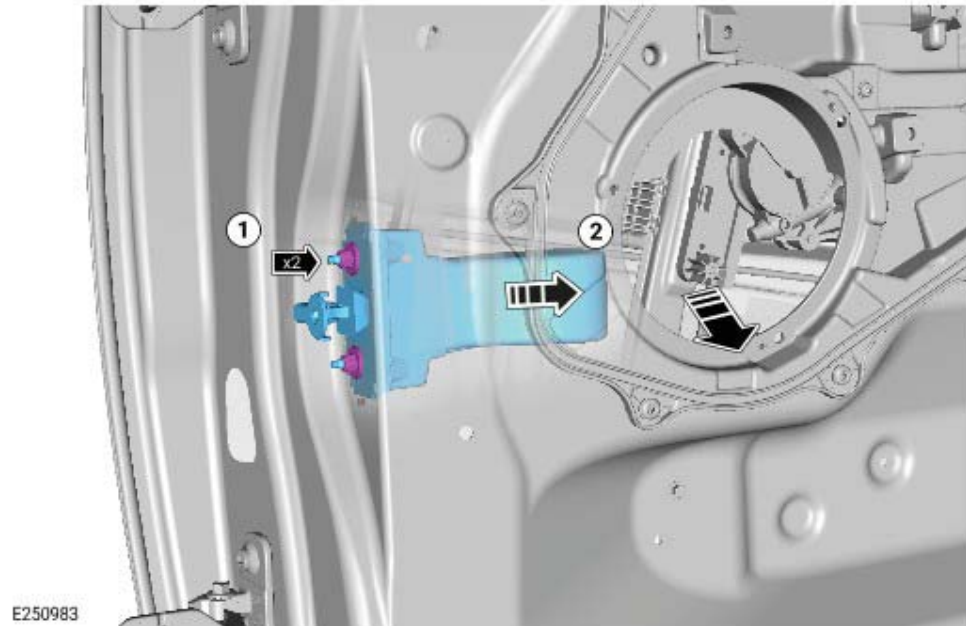
2.



Disconnect the front door check arm from the A-pillar.

- ■ Remove the bolt.

3.



Remove front door check arm assembly.

- 1. Remove the 2 retaining nuts.
- 2. Remove the front door check arm assembly in the directions shown in the illustration .

4. Repeat steps 1 to 3 for the other side, if required.

5. Continue to the 'Door Check Arm Assembly Repair' procedure.

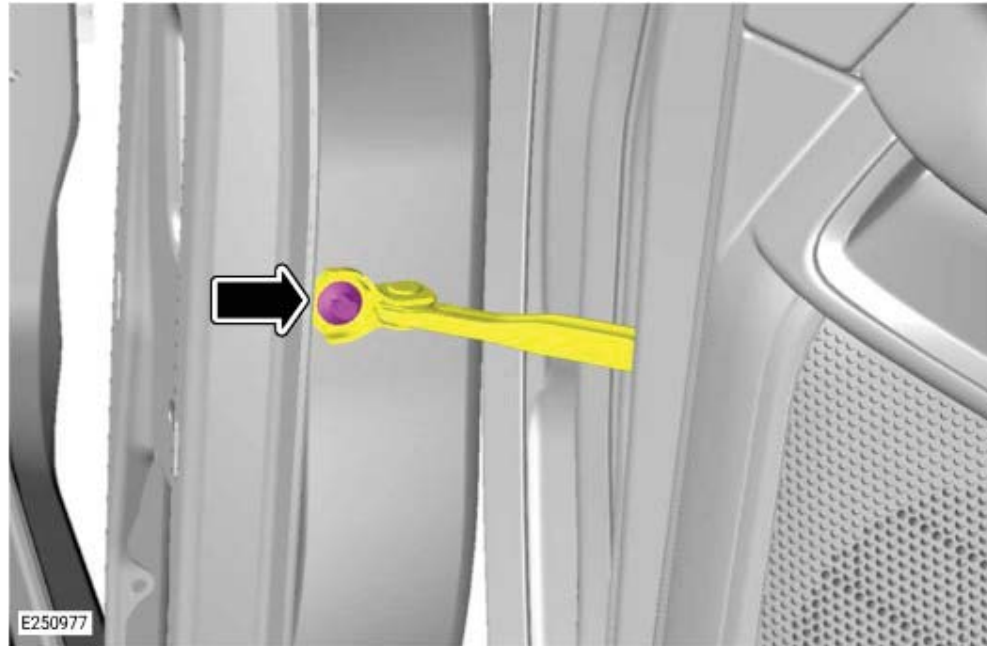
REAR DOOR CHECK ARM ASSEMBLY REMOVAL

NOTE:

Only remove affected door check arm assemblies.

-
1. Remove the bass speaker from the rear door, to access the rear door check arm (see TOPIx Workshop Manual section 415-01: Information and Entertainment System - Removal and Installation - Rear Door Bass Speaker).
-

2.



Disconnect the rear door check arm from the A-pillar.

- Remove the bolt.

3.



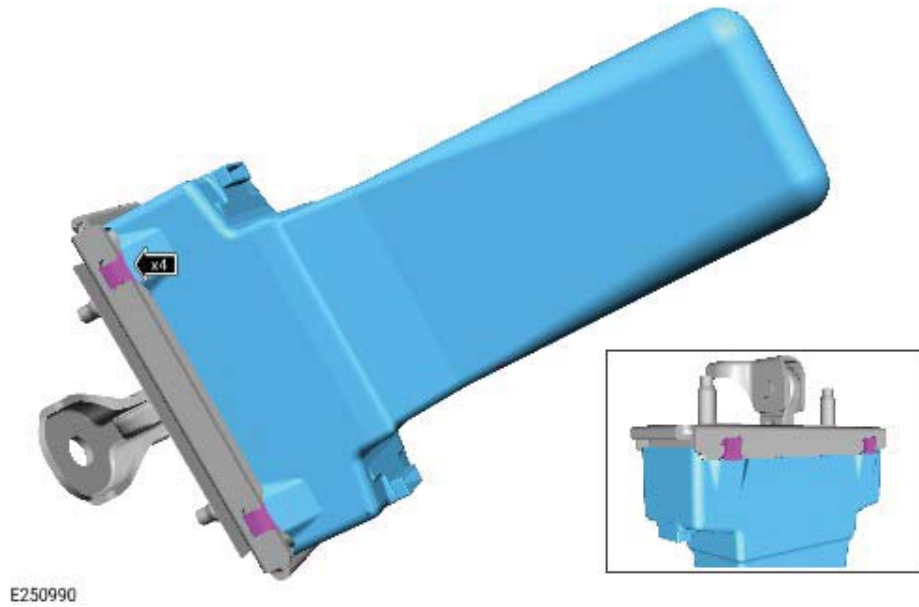
Remove rear door check arm assembly.

- 1. Remove the 2 retaining nuts.
- 2. Remove the rear door check arm assembly in the directions shown in the illustration .

4. Repeat steps 1 to 3 for the other side, if required.
5. Continue to the 'Door Check Arm Assembly Repair' procedure.

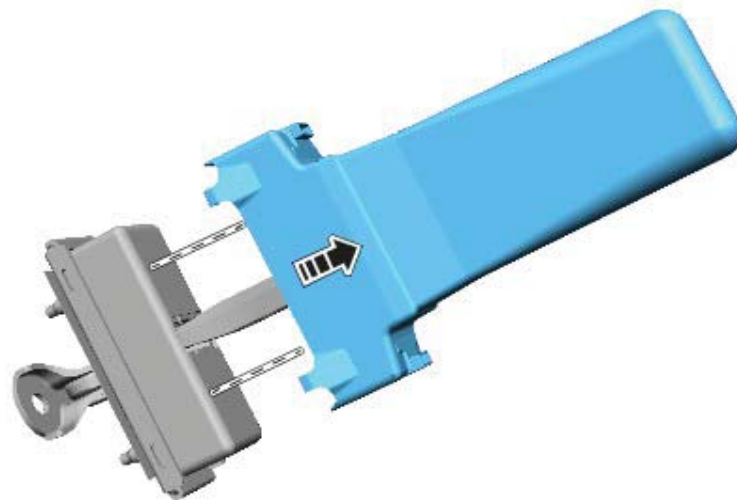
DOOR CHECK ARM ASSEMBLY REPAIR

1.



Use a suitable tool to release the 4 retaining clips.

2.



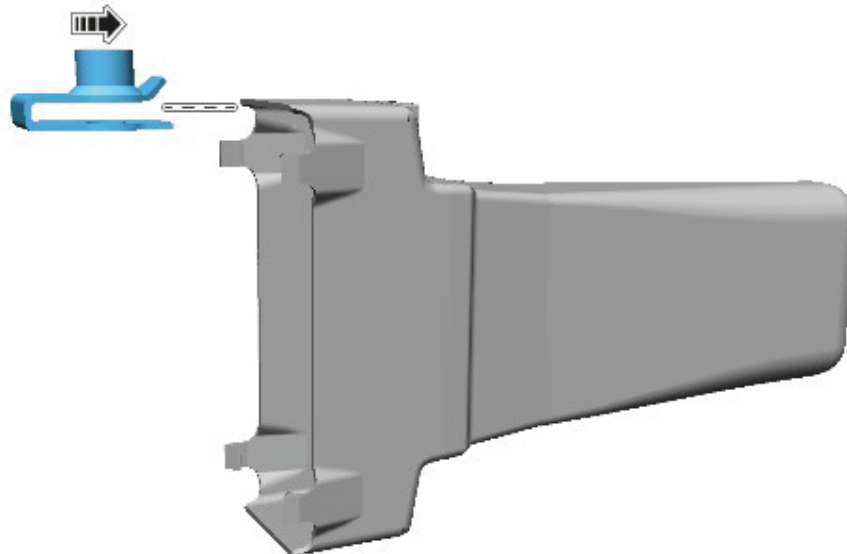
E250991

Remove the door check arm cover.

3.

NOTE:

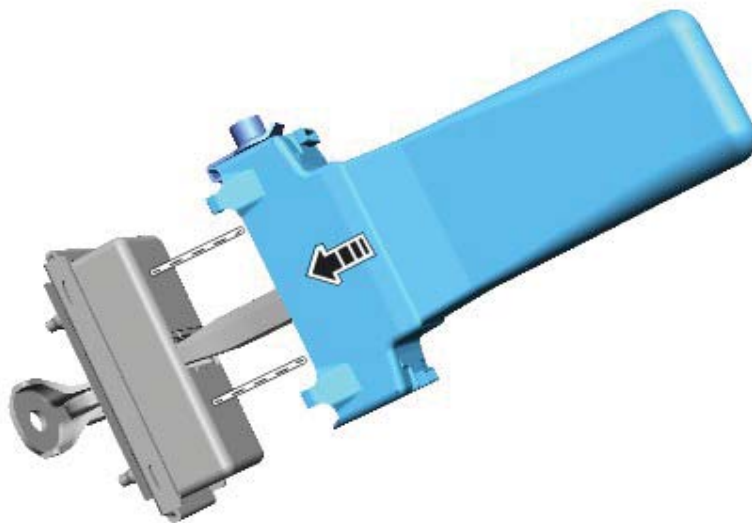
The J-nut clip must be installed at the top of the door check arm assembly.



E250998

Install a J-nut clip in the position shown in the illustration.

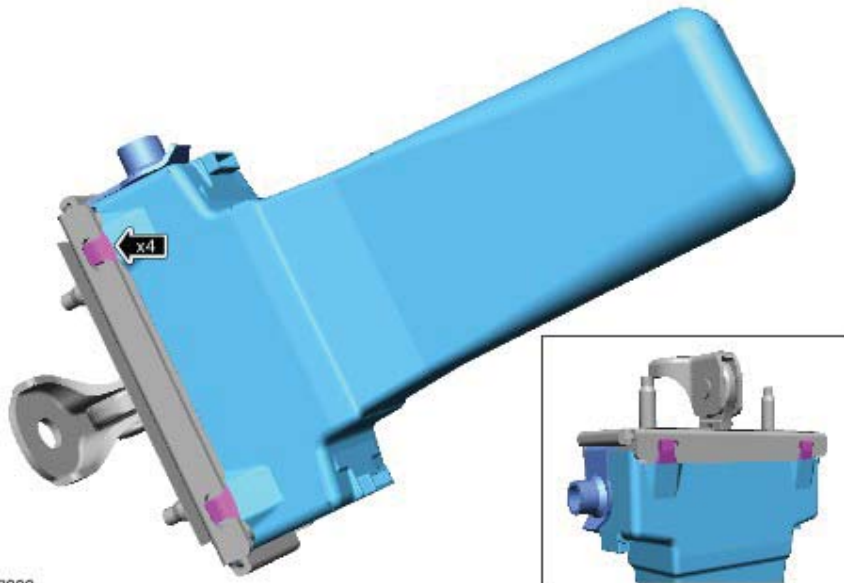
4.



E251626

Install the door check arm cover.

5.



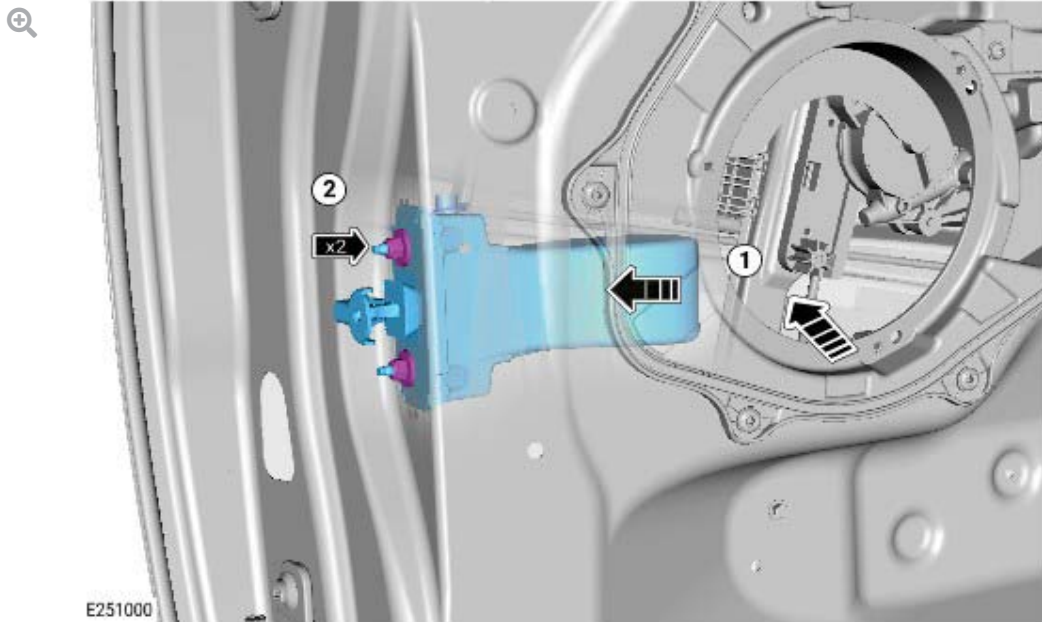
E250999

Secure the 4 retaining clips.

6. Continue to the relevant 'Door Check Arm Assembly Installation' procedure.

FRONT DOOR CHECK ARM ASSEMBLY INSTALLATION

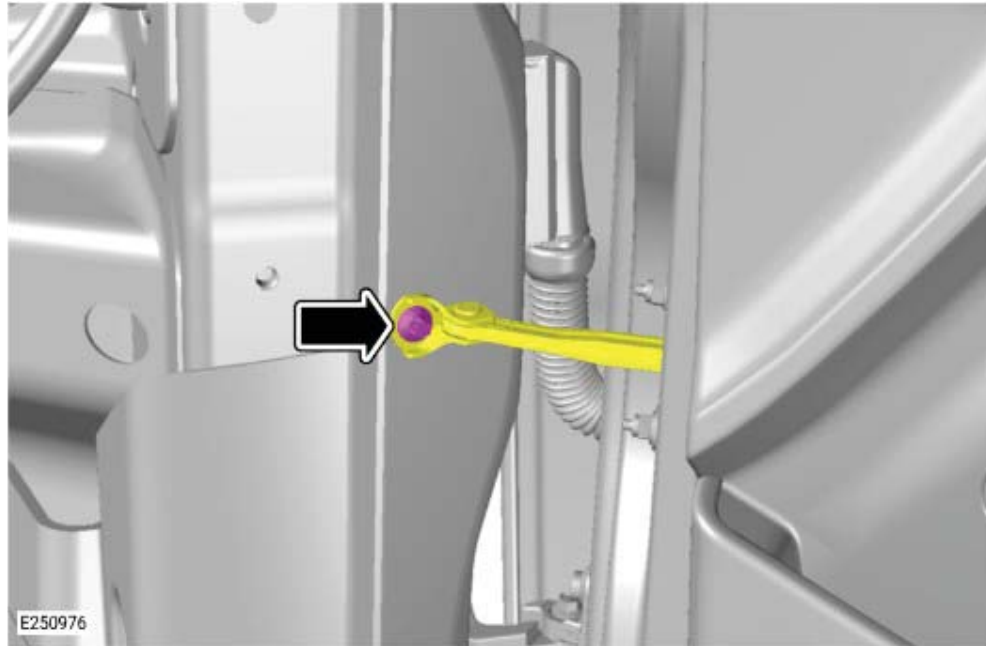
1.



Install the front door check arm assembly.

- 1. Install the front door check arm assembly in the directions shown in the illustration .
- 2. Tighten the 2 retaining nuts.
 - ■ Torque: **10 Nm**

2.



Install the front door check arm to the A-pillar.

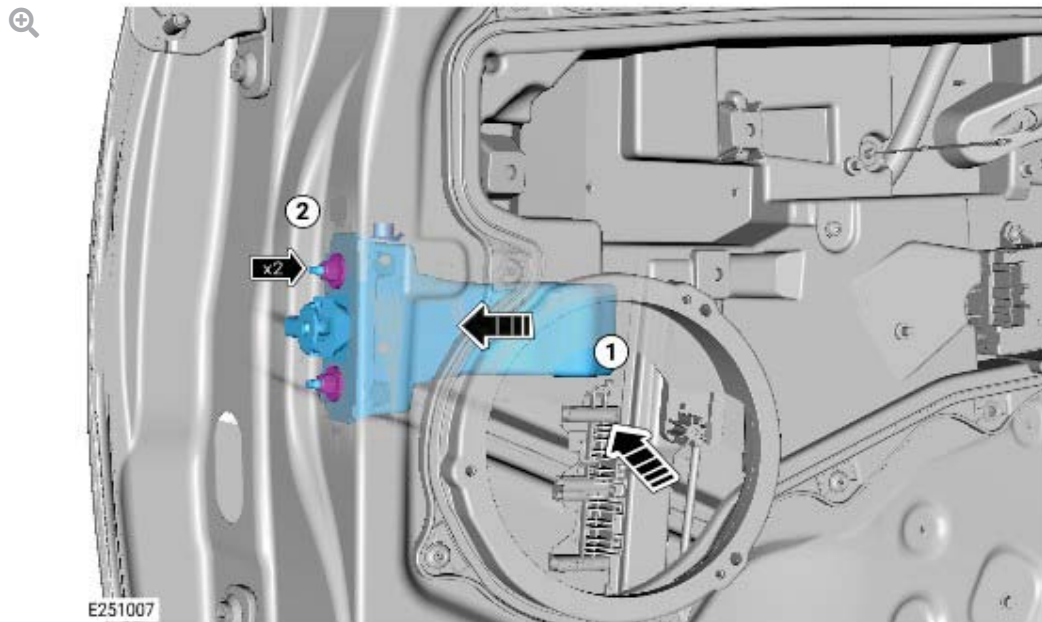
- ■ Tighten the bolt.
- ■ Torque: **24 Nm**

3. Install the bass speaker into the front door (see TOPIx Workshop Manual section 415-01: Information and Entertainment System - Removal and Installation - Front Door Bass Speaker).

4. Repeat steps 1 to 3 for the other side, if required.

REAR DOOR CHECK ARM ASSEMBLY INSTALLATION

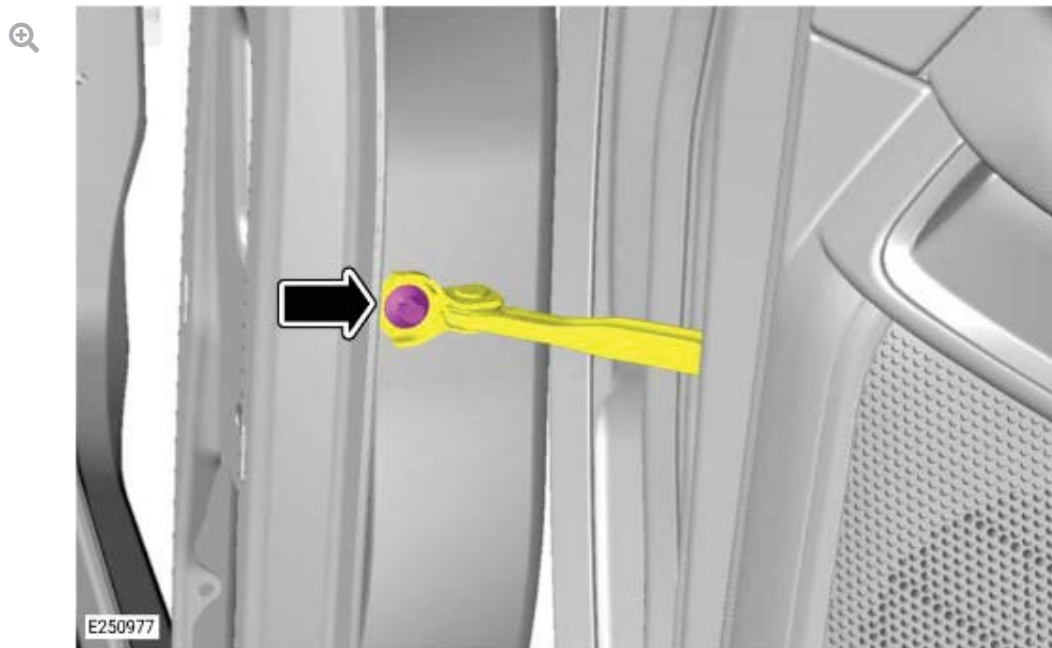
1.



Install the rear door check arm.

- 1. Install the rear door check arm in the directions shown in the illustration .
- 2. Tighten the 2 retaining nuts.
 - ■ Torque: **10 Nm**

2.



Install the rear door check arm to the A-pillar.

- ■ Tighten the bolt.
- ■ Torque: **24 Nm**

3. Install the bass speaker into the rear door (see TOPIx Workshop Manual section 415-01: Information and Entertainment System - Removal and Installation - Rear Door Bass Speaker).
-
4. Repeat steps 1 to 3 for the other side, if required.