

# 2020 RX350, RX450h Pre-Delivery Service (PDS)

**Service Category** General

**Section** Pre-Delivery Service

**Market** USA

Lexus Supports  
ASE Certification 

## Applicability

YEAR(S)	MODEL(S)	ADDITIONAL INFORMATION
2020	RX350, RX450H	

## Introduction

This bulletin contains the vehicle specific pre-delivery services for 2020 model year RX350 and RX450h vehicles. Additionally, refer to the applicable Pre-Delivery Service (PDS) Check Sheet for services to be performed.

## Warranty Information

OP CODE	DESCRIPTION	TIME	OFF	T1	T2
N/A	Not Applicable to Warranty	–	–	–	–

## Procedures

- Front License Plate and Mounting Bracket Installation..... 2
- D/C Cut Fuse (10A) Installation ..... 4
- Front Emergency Towing Eyelet Removal ..... 5
- Front Emergency Towing Eyelet Hole Cover Installation..... 5

## 2020 RX350, RX450h Pre-Delivery Service (PDS)

### Front License Plate and Mounting Bracket Installation

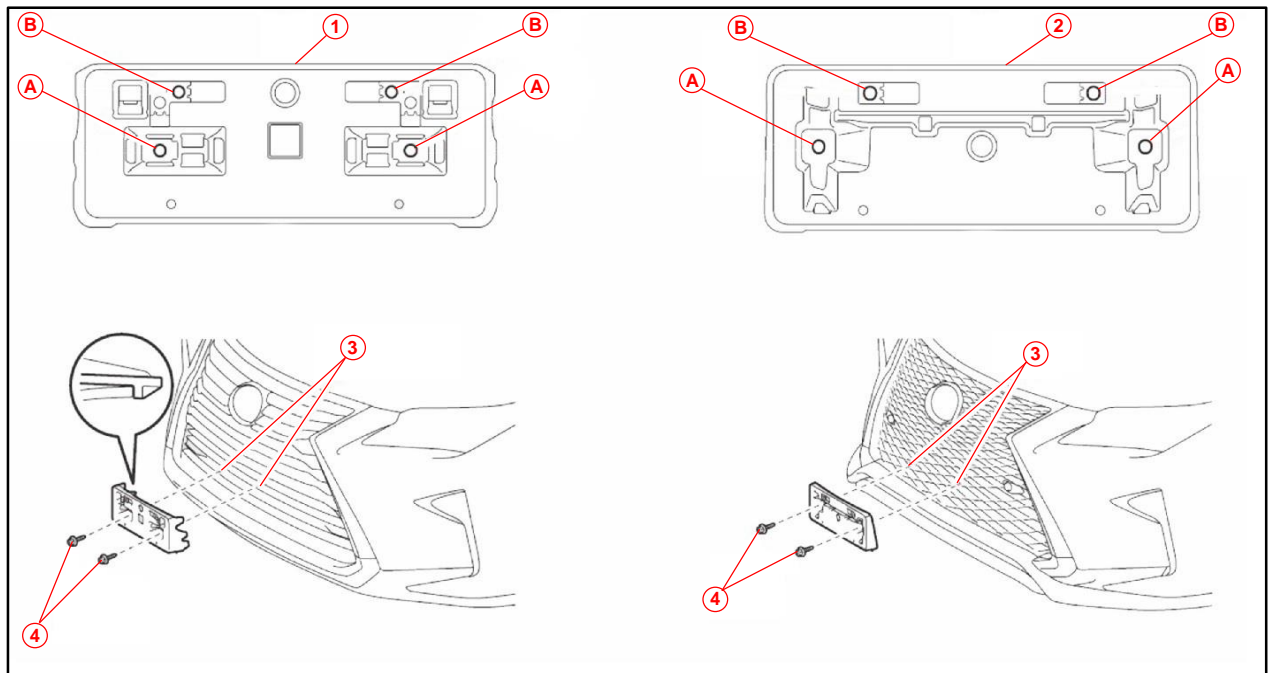
The front license plate mounting bracket and two self-tapping screws for the 2020 model year RX350 and RX450h are stored in the rear cargo area of the vehicle. For states that require front license plate, install the license plate and mounting bracket during PDS.

- Align holes "A" of the mounting bracket with the dimples on the radiator lower grille.

**NOTE**

- Holes "A" are used for installation of the front license plate mounting bracket to the radiator lower grille.
- Holes "B" are used to install the license plate onto the mounting bracket.

**Figure 1.**



<b>1</b>	<b>Mounting Bracket for Bar Type Radiator Grille</b>
<b>2</b>	<b>Mounting Bracket for Mesh Type Radiator Grille</b>

<b>3</b>	<b>Dimple</b>
<b>4</b>	<b>Self-tapping Screw</b>

- Screw the two self-tapping screws directly into the dimples to install the front license plate mounting bracket.

**NOTICE**

- Do NOT pre-drill holes into the dimples on the front bumper cover.
- Do NOT overtighten the self-tapping screws.

## 2020 RX350, RX450h Pre-Delivery Service (PDS)

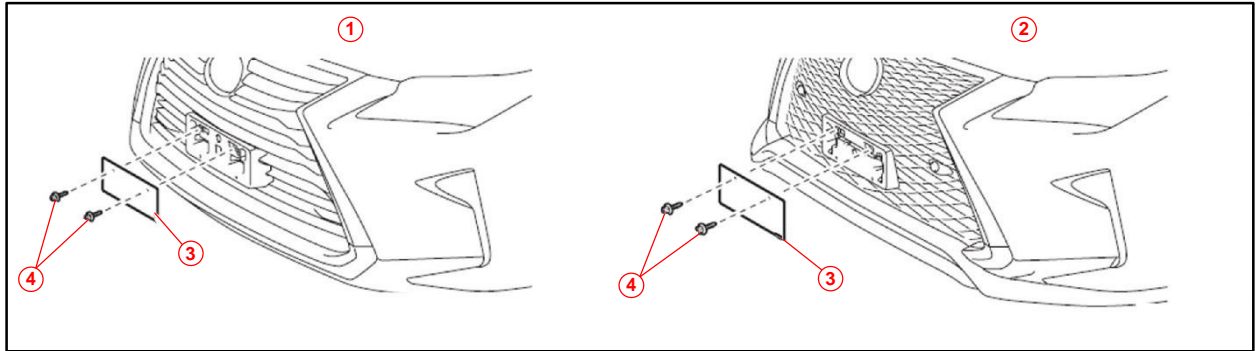
### Front License Plate and Mounting Bracket Installation (continued)

- Install the front license plate onto the mounting bracket using two noncorroding bolts with the following dimensions:

**Nominal Length: 15.0 mm (0.59 in.)**

**Diameter: 6.0 mm (0.24 in.)**

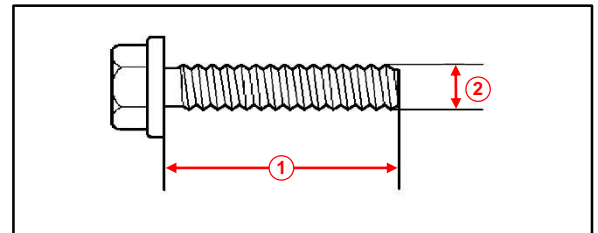
**Figure 2.**



<b>1</b>	Vehicles Equipped With Bar Type Radiator Grille
<b>2</b>	Vehicles Equipped With Mesh Type Radiator Grille

<b>3</b>	Front License Plate
<b>4</b>	Bolt

**Figure 3.**



<b>1</b>	Nominal Length
<b>2</b>	Diameter

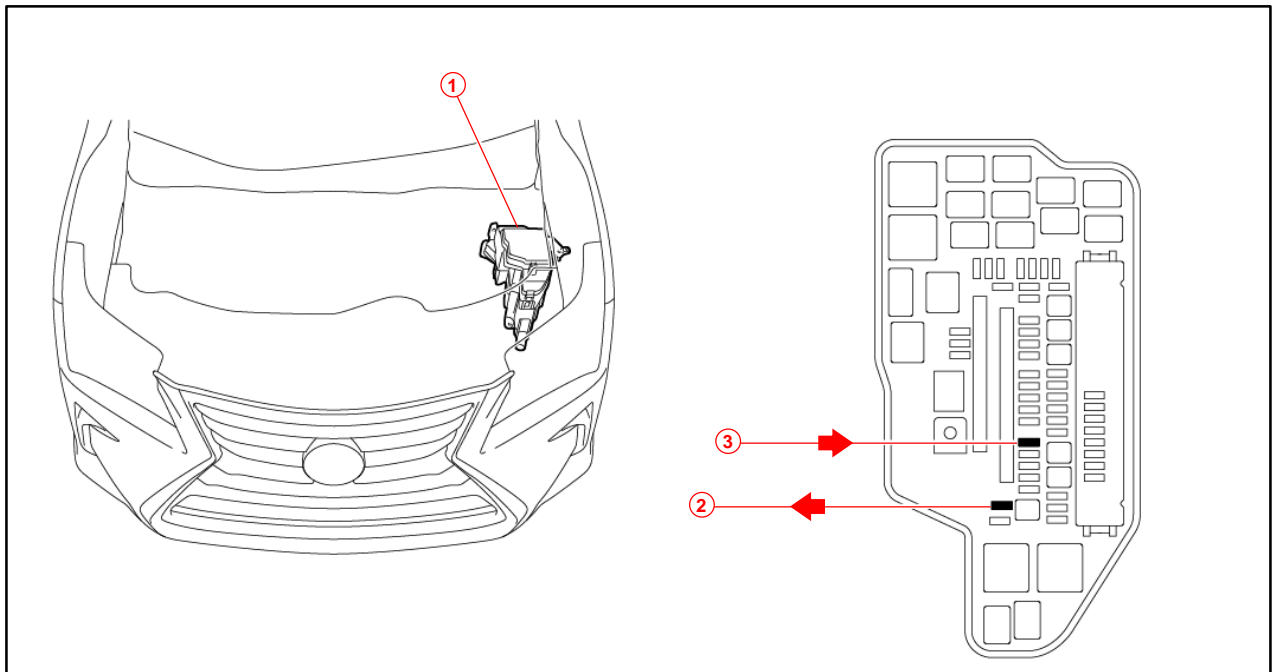
## 2020 RX350, RX450h Pre-Delivery Service (PDS)

### D/C Cut Fuse (10A) Installation

To minimize battery discharge during transportation and storage, the D/C cut fuse (10A) has been removed at the assembly plant and temporarily stored in the blank space of the relay block in the engine compartment.

During PDS, reinstall the D/C cut fuse (10A) into its original location and clear ALL related Diagnostic Trouble Codes (DTCs).

**Figure 4.**



<b>1</b>	<b>Relay Block</b>
<b>2</b>	<b>Remove This D/C Cut Fuse (10A)</b>

<b>3</b>	<b>Install D/C Cut Fuse (10A) Here (Original Location)</b>
----------	--

**NOTE**

While the vehicle is stored at the dealership, disconnect the negative (-) battery terminal to prevent battery discharge. Refer to Service Bulletin No. [L-SB-0013-19](#), *Battery Maintenance During PDS*, for battery maintenance information.

## 2020 RX350, RX450h Pre-Delivery Service (PDS)

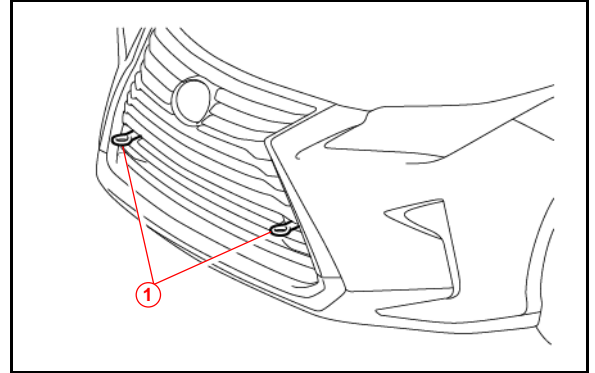
### Front Emergency Towing Eyelet Removal

Remove the front emergency towing eyelets from the front bumper by turning them counterclockwise.

**NOTE**

- If it is difficult to loosen the front emergency towing eyelets, use a steel bar.
- Dispose of the removed two front emergency towing eyelets.

**Figure 5.**

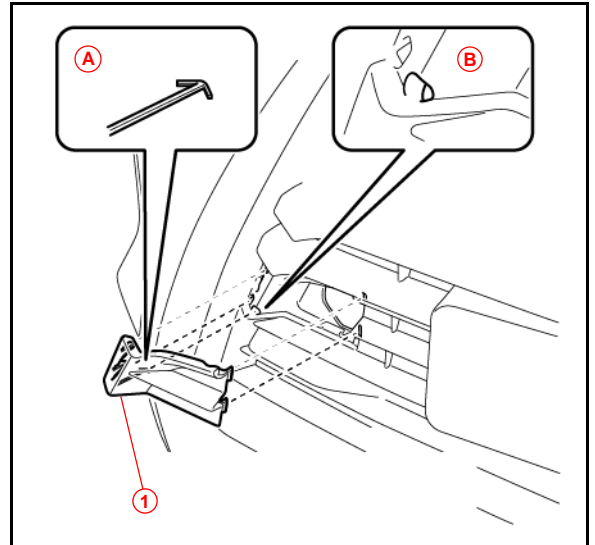


<b>1</b>	<b>Front Emergency Towing Eyelet</b>
----------	--------------------------------------

### Front Emergency Towing Eyelet Hole Cover Installation

1. Install the two, front emergency towing eyelet hole covers, which are stored in the glove compartment, onto the radiator lower grille.
  - A. Insert the arrow-shaped tab of the front emergency towing eyelet hole cover "A" into the eyelet hole tab "B" as shown.
  - B. Install the front emergency towing eyelet hole cover to the hole in the radiator lower grille.

**Figure 6.**



<b>A</b>	<b>Arrow-Shaped Tab</b>
<b>B</b>	<b>Eyelet Hole Tab</b>
<b>1</b>	<b>Front Emergency Towing Eyelet Hole Cover</b>