



TT466: UPDATED OIL PUMP FOR MILWAUKEE-EIGHT ENGINES

2019-08-20



Engine

APPLIES TO	SYMPTOMS
Milwaukee-Eight® engines	• Oil Flow or Oil Pump

Reason for Technical Tip Bulletin

To notify dealers that a **new** oil pump was put into production on some late 2019 and all 2020 Milwaukee-Eight® engines, all models.

See Figure 2. The **new** oil pumps are retrofittable to all previous years and models that have the Milwaukee-Eight engine. If replacing the oil pump on 2017 - 2019 vehicle with a Milwaukee-Eight engine and pump should only be install as a complete unit. It is important to note that the **new** oil pumps, or their internal components, are not compatible with old oil pump versions.

The 2020 oil pumps are identifiable by the following:

1. See Figure 1. The oil pump cover has an identifying tang (3) on the cover housing near the front lower bolt hole.
2. The return gerotor has an updated 8 lobes, compared to the previous version that had a 10 lobe design.
3. **New** part numbers and casting numbers (on the pump housing oil return pick-up (1) and the casting number on the pump cover (2)) can be seen in Table 1.

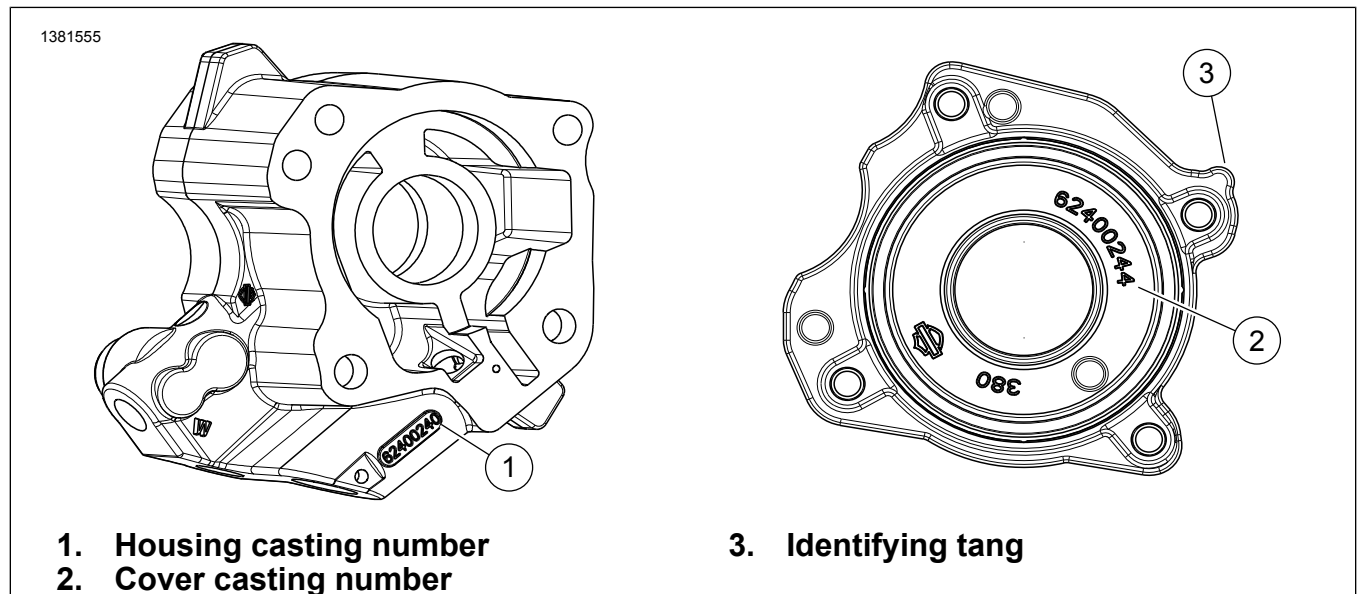


Figure 1. Oil Pump Casting Number Location

Table 1. New Pump Numbers

Item Description	Part No.	Casting No.
Oil Pump Assy, Oil	62400247 ⁽¹⁾	62400236
Oil Pump Assy, Water	62400248 ⁽¹⁾	62400240
Oil Pump Cover Assy	62400245	62400244

(1) When ordering oil pump assembly (Part No. 62400247 or 62400248) the oil pump cover comes as part of the assembly.

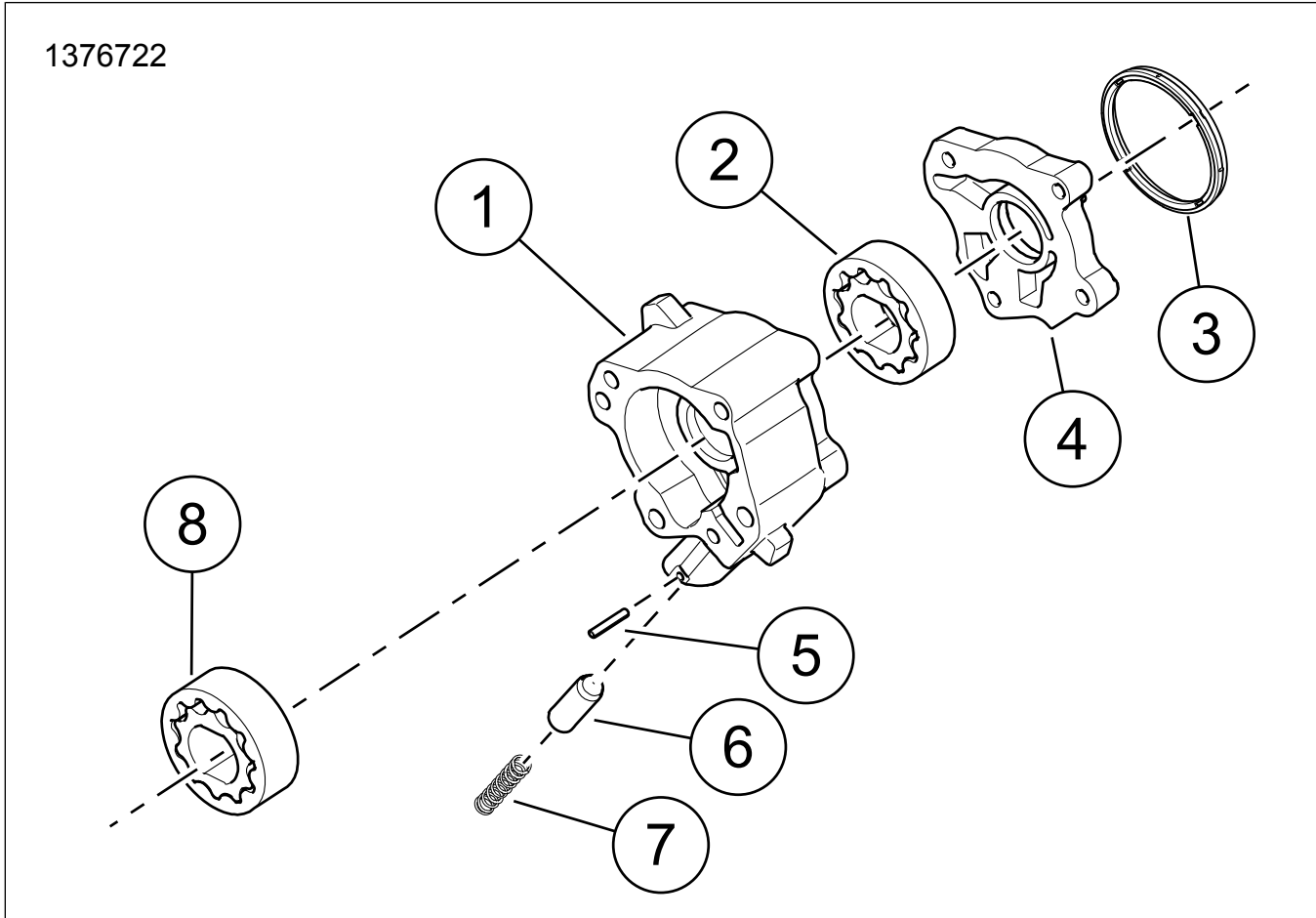


Figure 2. New Oil Pump Kits

Table 2. New Oil Pump Kits

Kit Part No.	Assembly Description	Index No.	Part Description	Part No.
62400247 - Oil 62400248 - Water	Oil Pump Assembly	1	Pump housing - oil (includes index no. 2, 5, 6, 7)	62400238
		1	Pump housing - water (includes index no. 2, 5, 6, 7)	62400242
		2	Gerotor	62400233
		3	Seal	62400205
		4	Cover (includes index no. 3)	62400245
		5	Roll pin	601
		6	Relief valve	26400-82B
		7	Spring	26210-99
		8	Gerotor, feed - oil	62400126
		8	Gerotor, feed - water	62400055

Resolution

See Figure 2. When ordering a oil pump's individual components the old part numbers will be obsoleted and superseded to the **new** part number. Only the 2020 oil pump can be ordered as a complete replacement kit. Refer to Table 2.