



Technical Service Bulletin

39 Transfer case leaks

39 19 24 2016880/7 August 29, 2019. Supersedes Technical Service Bulletin Group 39 number 10-05 dated August 3, 2010 for reasons listed below.

Model(s)	Year	VIN Range	Vehicle-Specific Equipment
Q7	2007	000001 – 055095	Not Applicable
	2008	000001 – 011586	Not Applicable

Condition

REVISION HISTORY		
Revision	Date	Purpose
7	-	Revised <i>Warranty</i> (Updated Labor Operations and added Claim Types)
6	08/03/2010	Revised <i>Warranty</i> (Updated Labor Operations)
5	07/01/2010	Revised header data (Updating TSB display in Elsa)

Leaks in the area of the transfer case.

- Oil leak between automatic transmission and transfer case (Figure 1, A).
- Oil leak at front driveshaft output flange on transfer case (Figure 1, B).

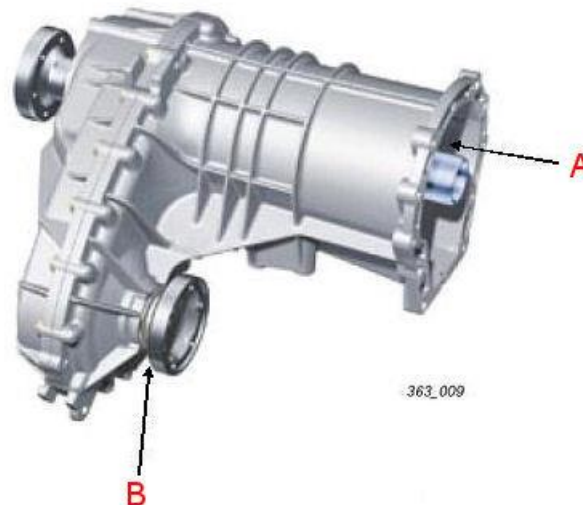


Figure 1. The input shaft seal (A), and the front driveshaft output flange seal (B).



Technical Service Bulletin

Technical Background

- Transfer case input shaft seal is damaged during installation.
- The internal circlip of the output flange shaft has come loose, allowing the output flange to move out slightly, causing seal to leak.

Production Solution

- Input shaft diameter reduced for safe installation.
- Improved production assembly process.

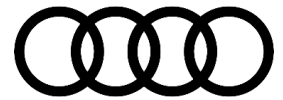
Service

Internal transfer case repairs are not allowed.

1. Replace the transfer case input shaft seal (Figure 1, A). Refer to Elsa for seal installation instructions.
2. Replace the complete transfer case assembly if the front driveshaft output flange seal is leaking (Figure 1, B). Refer to Elsa for transfer case removal and installation instructions.

Warranty

Claim Type:	<ul style="list-style-type: none">• 110 up to 48 Months/50,000 Miles.• G10 for CPO Covered Vehicles – Verify Owner.• If vehicle is outside any warranty, this Technical Service Bulletin is informational only.		
Service Number:	3965		
Damage Code:	0050		
Labor Operations:	Transfer case remove + reinstall - 4.2L engine	3965 1900	See SRT
	Transfer case remove + reinstall - 3.6L engine	3965 1906	See SRT



Technical Service Bulletin

	Transfer case input shaft seal remove + reinstall	3992 1950	See SRT
Diagnostic Time:	GFF	No allowance	0 TU
	Road test prior to service procedure	No allowance	0 TU
	Road test after service procedure	No allowance	0 TU
Claim Comment:	As per TSB #2016880/7		

All warranty claims submitted for payment must be in accordance with the *Audi Warranty Policies and Procedures Manual*. Claims are subject to review or audit by Audi Warranty.

Required Parts and Tools

Always check with your Parts Department and/or ETKA for the latest information and parts bulletins.			
Part Number	Part Description	Transmission Code	Quantity
0AQ321199B	Input shaft seal	All	01
0AQ341010J	Transfer case	All	01

Additional Information

All part and service references provided in this TSB (2016880) are subject to change and/or removal. Please check the Repair Manual for fasteners, bolts, nuts, and screws that require replacement during the repair.

©2019 Audi of America, Inc. All rights reserved. The information contained in this document is based on the latest information available at the time of printing and is subject to the copyright and other intellectual property rights of Audi of America, Inc., its affiliated companies and its licensors. All rights are reserved to make changes at any time without notice. No part of this document may be reproduced, stored in a retrieval system, or transmitted in any form or by any means, electronic, mechanical, photocopying, recording, or otherwise, nor may these materials be modified or reposted to other sites, without the prior expressed written permission of the publisher.