

# 2019 RX350, RX450h Pre-Delivery Service (PDS)

**Service Category** General

**Section** Pre-Delivery Service

**Market** USA



## Applicability

YEAR(S)	MODEL(S)	ADDITIONAL INFORMATION
2019	RX350, RX450H	

**REVISION NOTICE**

**July 12, 2019 Rev1:**

- The D/C Cut Fuse Installation section has been updated.

**Any previous printed versions of this bulletin should be discarded.**

## Introduction

This bulletin contains the vehicle specific pre-delivery services for 2019 model year RX350 and RX450h vehicles. Additionally, refer to the applicable Pre-Delivery Service (PDS) Check Sheet for services to be performed.

## Warranty Information

OP CODE	DESCRIPTION	TIME	OFF	T1	T2
N/A	Not Applicable to Warranty	–	–	–	–

## Procedures

- Front License Plate and Mounting Bracket Installation ..... 2
- D/C Cut Fuse Installation ..... 4
- Front Emergency Towing Eyelet Removal ..... 5
- Front Emergency Towing Eyelet Hole Cover Installation ..... 5

## 2019 RX350, RX450h Pre-Delivery Service (PDS)

### Front License Plate and Mounting Bracket Installation

The front license plate mounting bracket and two self-tapping screws for the 2019 model year RX350 and RX450h are stored in the rear cargo area of the vehicle. During PDS, install the license plate and mounting bracket.

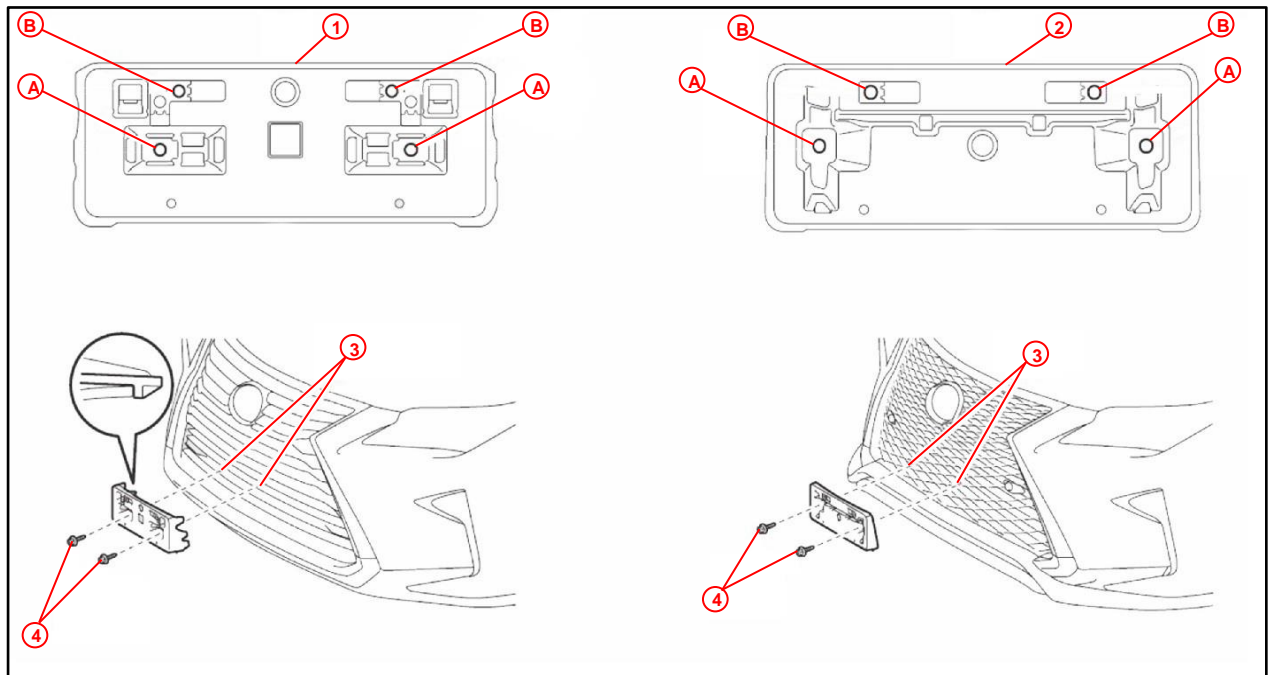
#### Installation Procedure

- Align holes "A" of the mounting bracket with the dimples on the radiator lower grille.

**NOTE**

- Holes "A" are used for installation of the front license plate mounting bracket to the radiator lower grille.
- Holes "B" are used to install the license plate onto the mounting bracket.

Figure 1.



1	Mounting Bracket for Bar Type Radiator Grille
2	Mounting Bracket for Mesh Type Radiator Grille

3	Dimple
4	Self-tapping Screw

- Screw the two self-tapping screws directly into the dimples to install the front license plate mounting bracket.

**NOTICE**

- Do NOT pre-drill holes into the dimples on the front bumper cover.
- Do NOT overtighten the self-tapping screws.

## 2019 RX350, RX450h Pre-Delivery Service (PDS)

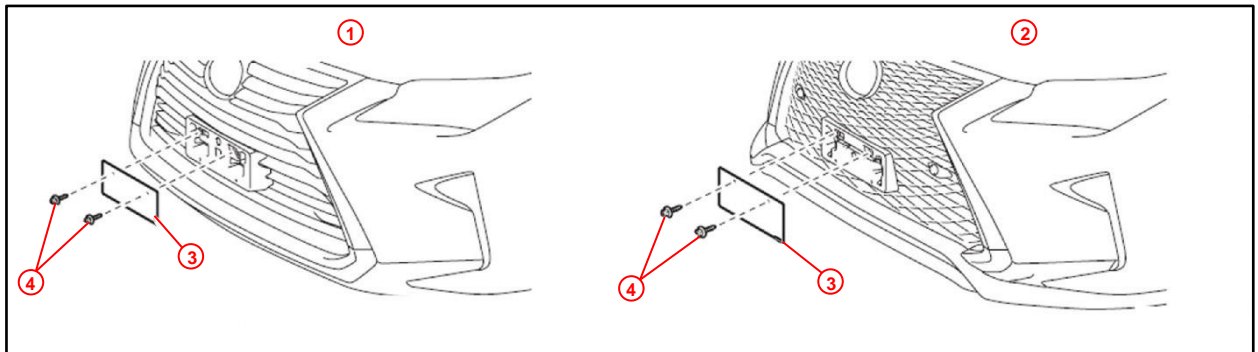
### Front License Plate and Mounting Bracket Installation (continued)

- Install the front license plate onto the mounting bracket using two noncorroding bolts with the following dimensions:

**Nominal Length: 15.0 mm (0.59 in.)**

**Diameter: 6.0 mm (0.24 in.)**

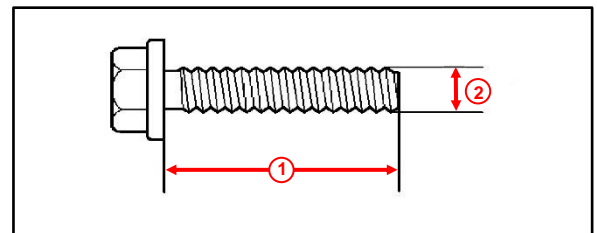
**Figure 2.**



<b>1</b>	Vehicles Equipped With Bar Type Radiator Grille
<b>2</b>	Vehicles Equipped With Mesh Type Radiator Grille

<b>3</b>	Front License Plate
<b>4</b>	Bolt

**Figure 3.**



<b>1</b>	Nominal Length
<b>2</b>	Diameter

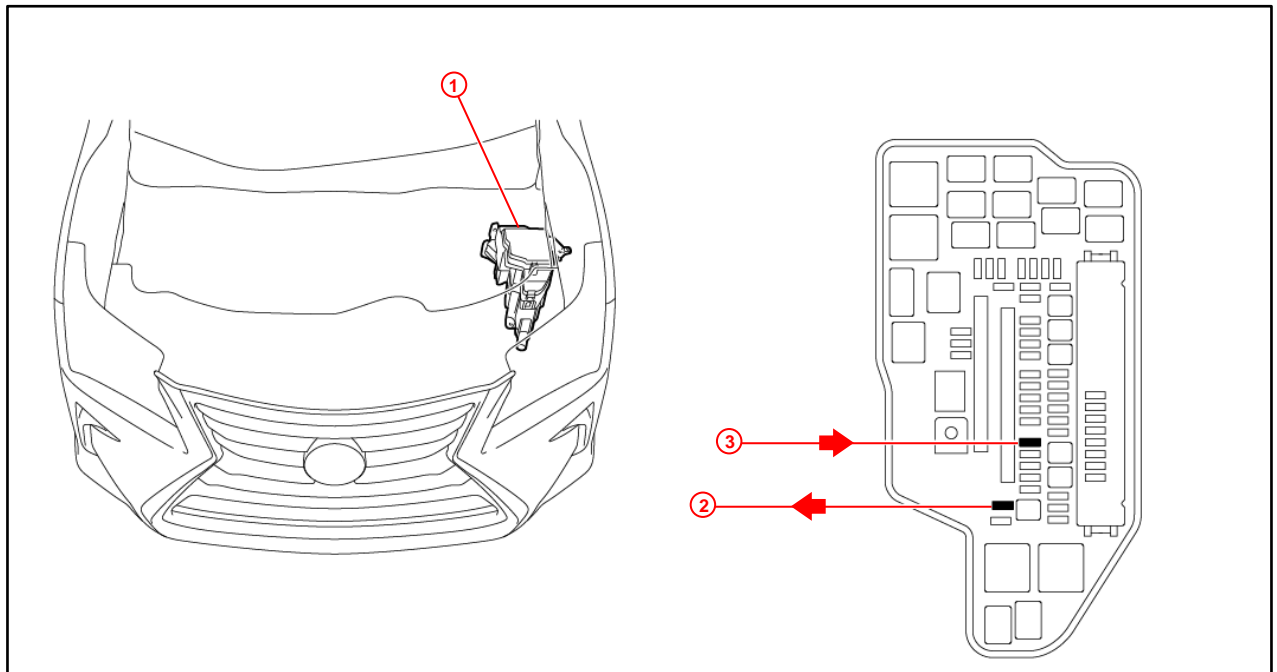
## 2019 RX350, RX450h Pre-Delivery Service (PDS)

### D/C Cut Fuse Installation

To minimize battery discharge during transportation and storage, the D/C cut fuse (10A) has been removed at the assembly plant and temporarily stored in the blank space of the relay block in the engine compartment.

During PDS, reinstall the D/C cut fuse (10A) into its original location and clear ALL related Diagnostic Trouble Codes (DTCs).

**Figure 4.**



<b>1</b>	Relay Block
<b>2</b>	Remove This D/C Cut Fuse (10A)

<b>3</b>	Install D/C Cut Fuse (10A) Here (Original Location)
----------	-----------------------------------------------------

#### NOTE

While the vehicle is stored at the dealership, disconnect the negative (-) battery terminal to prevent battery discharge. Refer to Service Bulletin No. [L-SB-0108-17](#), *Battery Maintenance During PDS*, for battery maintenance information.

## 2019 RX350, RX450h Pre-Delivery Service (PDS)

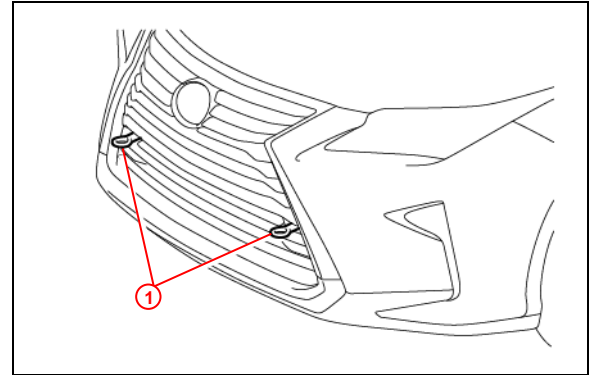
### Front Emergency Towing Eyelet Removal

Remove the front emergency towing eyelets from the front bumper by turning them counterclockwise.

**NOTE**

- If it is difficult to loosen the front emergency towing eyelets, use a steel bar.
- Dispose of the removed two front emergency towing eyelets.

**Figure 5.**

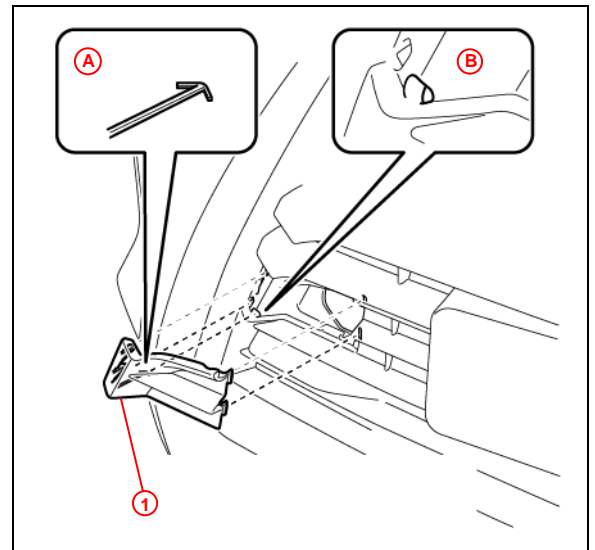


<b>1</b>	<b>Front Emergency Towing Eyelet</b>
----------	--------------------------------------

### Front Emergency Towing Eyelet Hole Cover Installation

1. Install the two front emergency towing eyelet hole covers, which are stored in the glove compartment, onto the radiator lower grille.
  - A. Insert the arrow-shaped tab of the front emergency towing eyelet hole cover "A" into the eyelet hole tab "B" as shown.
  - B. Install the front emergency towing eyelet hole cover to the hole in the radiator lower grille.

**Figure 6.**



<b>A</b>	<b>Arrow-Shaped Tab</b>
<b>B</b>	<b>Eyelet Hole Tab</b>
<b>1</b>	<b>Front Emergency Towing Eyelet Hole Cover</b>