



HYUNDAI

Technical Service Bulletin

GROUP BRAKES	NUMBER 19-BR-001H-1
DATE JULY 2019	MODEL(S) Santa Fe (CM) Veracruz (EN) Santa Fe Sport (AN) Santa Fe / XL (NC)

SUBJECT: REAR WHEEL SPEED SENSOR SERVICE PARTS

This TSB supersedes 19-BR-001H to revise the part number for SST ABS Wheel Sensor Cap Installer.

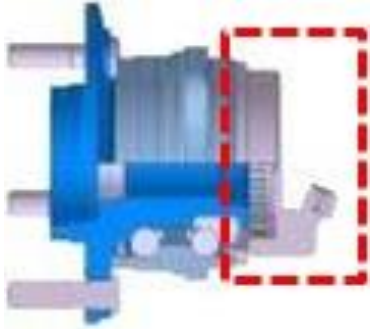

Description: This bulletin provides information on the rear wheel speed sensor for Santa Fe (CM), Santa Fe / XL (NC), Santa Fe Sport (AN), and Veracruz (EN) vehicles equipped with front wheel drive (FWD). The rear wheel speed sensor is available as a separate service part from the rear wheel hub assembly. When appropriate, it is recommended to replace only the rear wheel speed sensor instead of the full assembly.



Applicable Vehicles:

Santa Fe (CM), Santa Fe / Santa Fe XL (NC), Santa Fe Sport (AN), Veracruz (EN).

Parts Information:

Item	Rear Wheel Hub Assembly	Rear Wheel Speed Sensor
Part Image		
Part Numbers	52750-2B100	52751-2B100 (CM, EN, AN, NC*) 52751-B8100 (NC* only)

*Santa Fe / XL (NC) rear wheel speed sensor part number depends on vehicle production date. Refer to the applicable parts catalog to determine part number.

Circulate To: General Manager, Service Manager, Parts Manager, Warranty Manager, Service Advisors, Technicians, Body Shop Manager, Fleet Repair

SUBJECT:

REAR WHEEL SPEED SENSOR SERVICE PARTS

SST Information:**NOTICE**

The special service tools listed below are available for order through Bosch: 1-866-539-4248.

DESCRIPTION	PART #
 <p>Handle</p>	09231-H1100
 <p>ABS Wheel Sensor Cap Installer</p>	09527-2W100

Warranty Information:

MODEL	OP CODE	OPERATION	OP TIME	CAUSAL PART	NATURE CODE	CAUSE CODE
Santa Fe (CM) Veracruz (EN) Santa Fe Sport (AN) Santa Fe / XL (NC)	52751R00	Rear Wheel Bearing ABS Sensor (LH)	See WEBLTS for current LTS time	52751- 2B100	I3B	ZZ3
	52751R0B	Rear Wheel Bearing ABS Sensor (Both)				
	52751R0R	Rear Wheel Bearing ABS Sensor (RH)				

Service Procedure:**NOTICE**

Refer to the applicable shop manual for service procedures on replacing the rear wheel bearing ABS sensor.