

August 9, 2019

Version 3

MIL Comes On with DTC P0430 or DTC P0430 with P030X, P219A or P219B (Without Software Update)

Supersedes 19-073, dated July 19, 2019, see REVISION SUMMARY

AFFECTED VEHICLES

Year	Model	Trim	VIN Range
2017	Pilot	2WD	VINs starting from 5FNYP5...HB028098
		AWD	VINs starting from 5FNYP6...HB058229
2018	Pilot	ALL	ALL
2019	Pilot	2WD	5FNYP5...KB000001 thru 5FNYP5...KB001450
		AWD	5FNYP6...KB000001 thru 5FNYP6...KB006305
2018	Ridgeline	ALL	ALL
2019	Ridgeline	2WD	5FPYK2...KB000001 thru 5FPYK2...KB002884
		AWD	5FPYK2...KB000001 thru 5FPYK3...KB012495
2018	Odyssey	ALL	VINs starting from 5FNRL6...JB014845
2019	Odyssey	ALL	5FNRL6...KB000001 thru 5FNRL6...KB026674

REVISION SUMMARY

This bulletin is being reposted because parts are now available.

SYMPTOM

The MIL comes on with DTC P0430 (front bank catalyst system efficiency below threshold [bank 2]). Additionally, one or more of the following DTCs may be stored:

- P030X (misfire)
- P219A (air-fuel ratio variation of cylinder [bank 1, rear bank])
- P219B (air-fuel ratio variation of cylinder [bank 2, front bank])

PROBABLE CAUSE

The PCM software may misinterpret sensor inputs as a deteriorated catalytic converter. Additionally, debris from the fuel injector machining process or high pressure fuel pump can cause internal wear or clogging in the injector.

CUSTOMER INFORMATION: The information in this bulletin is intended for use only by skilled technicians who have the proper tools, equipment, and training to correctly and safely maintain your vehicle. These procedures should not be attempted by "do-it-yourselfers," and you should not assume this bulletin applies to your vehicle, or that your vehicle has the condition described. To determine whether this information applies, contact an authorized Honda automobile dealer.

CORRECTIVE ACTION

- **P0430 only:** Do the cylinder A/F test. If it fails the test, replace the fuel injectors. If all cylinders pass the test, continue with normal troubleshooting.
- **P0430 and any combination of P030X, P219A, or P219B:** Replace the fuel injectors.

WARRANTY CLAIM INFORMATION

The normal warranty applies.

All Models: P0430 Only, A/F Test (Passed)

Operation Number	Description	Flat Rate Time	Defect Code	Symptom Code	Template ID	Failed Part Number
1105D3	Do the cylinder A/F test.	0.2 hr	03214	03203	A19073A	37805-RLV-315

Pilot (Except Touring and Elite): P0430 Only, A/F Test (Failed)

Operation Number	Description	Flat Rate Time	Defect Code	Symptom Code	Template ID	Failed Part Number
1105D3	Do the cylinder A/F test.	0.2 hr	03214	03203	A19073B	37805-RLV-315
A	Replace the fuel injectors (Pilot).	2.5 hr				

Pilot (Touring and Elite Only): P0430 Only, A/F Test (Failed)

Operation Number	Description	Flat Rate Time	Defect Code	Symptom Code	Template ID	Failed Part Number
1105D3	Do the cylinder A/F test.	0.2 hr	03214	03203	A19073C	37805-RLV-315
A	Replace the fuel injectors (Pilot).	2.5 hr				

Odyssey: P0430 Only, A/F Test (Failed)

Operation Number	Description	Flat Rate Time	Defect Code	Symptom Code	Template ID	Failed Part Number
1105D3	Do the cylinder A/F test.	0.2 hr	03214	03203	A19073D	37805-RLV-315
A	Replace the fuel injectors (Odyssey).	2.6 hr				

Ridgeline: P0430 Only, A/F Test (Failed)

Operation Number	Description	Flat Rate Time	Defect Code	Symptom Code	Template ID	Failed Part Number
1105D3	Do the cylinder A/F test.	0.2 hr	03214	03203	A19073E	37805-RLV-315
A	Replace the fuel injectors (Ridgeline).	2.2 hr				

Pilot (Except Touring and Elite): P0430 & P030X/P219A/P219B

Operation Number	Description	Flat Rate Time	Defect Code	Symptom Code	Template ID	Failed Part Number
121110	Replace the fuel injectors (Pilot).	2.5 hr	03214	03203	A19073F	37805-RLV-315

Pilot (Touring and Elite Only): P0430 & P030X/P219A/P219B

Operation Number	Description	Flat Rate Time	Defect Code	Symptom Code	Template ID	Failed Part Number
121110	Replace the fuel injectors (Pilot).	2.5 hr	03214	03203	A19073G	37805-RLV-315

Odyssey: P0430 & P030X/P219A/P219B

Operation Number	Description	Flat Rate Time	Defect Code	Symptom Code	Template ID	Failed Part Number
121110	Replace the fuel injectors (Odyssey).	2.6 hr	03214	03203	A19073H	37805-RLV-315

Ridgeline: P0430 & P030X/P219A/P219B

Operation Number	Description	Flat Rate Time	Defect Code	Symptom Code	Template ID	Failed Part Number
121110	Replace the fuel injectors (Ridgeline).	2.2 hr	03214	03203	A19073J	37805-RLV-315

Skill Level: Repair Technician

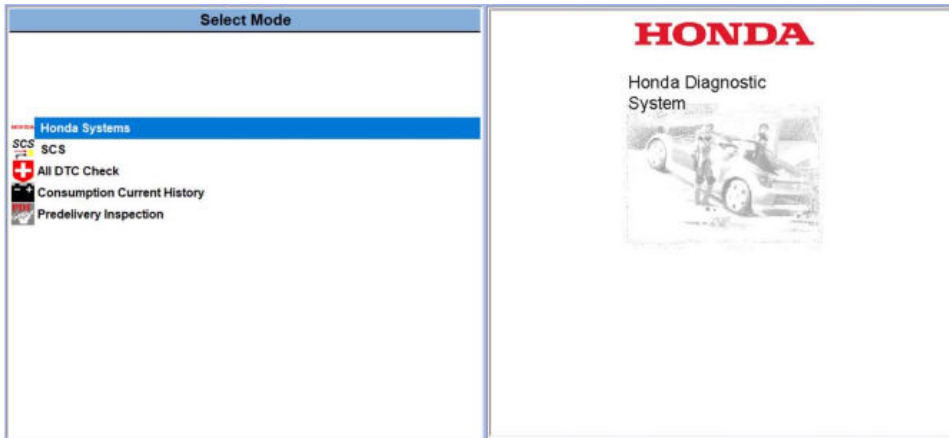
PARTS INFORMATION

Part Name	Part Number	Quantity
Fuel Injector Set (all except 2019 Pilot Touring and Elite)	16010-RLV-315	1
Fuel Injector Set (2019 Pilot Touring and Elite only)	16010-RLV-306	1
Fuel Joint Pipe Set	16012-R9P-315	1
Front Gasket	17055-R9P-A01	1
Rear Gasket	17065-R9P-A01	1
Intake Manifold Gasket	17101-RLV-A01	6
Throttle Body Gasket	17102-RLV-A01	1
EGR Seal	17103-RLV-A01	2
EGR Pipe Gasket A	18716-RB0-G01	1

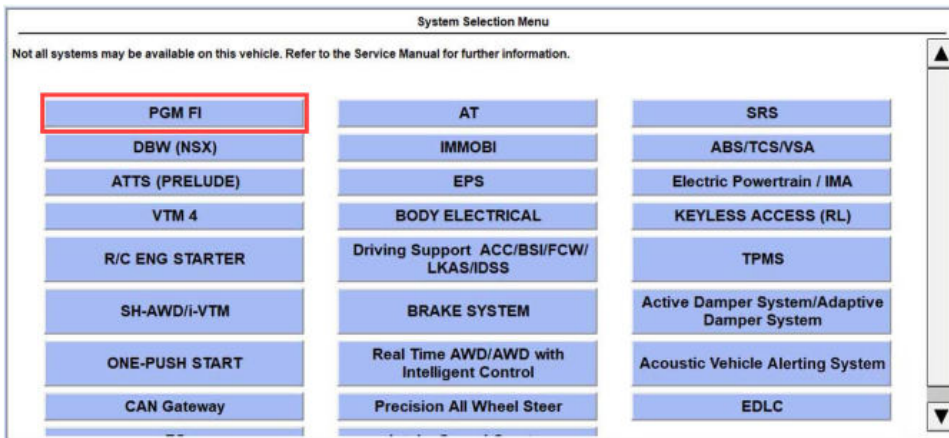
REPAIR PROCEDURE

Cylinder A/F Test Procedure

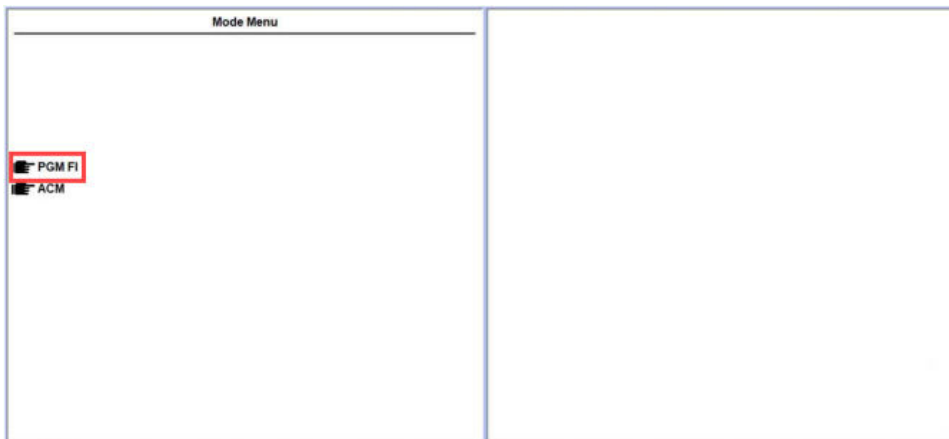
1. Select **Honda Systems**.



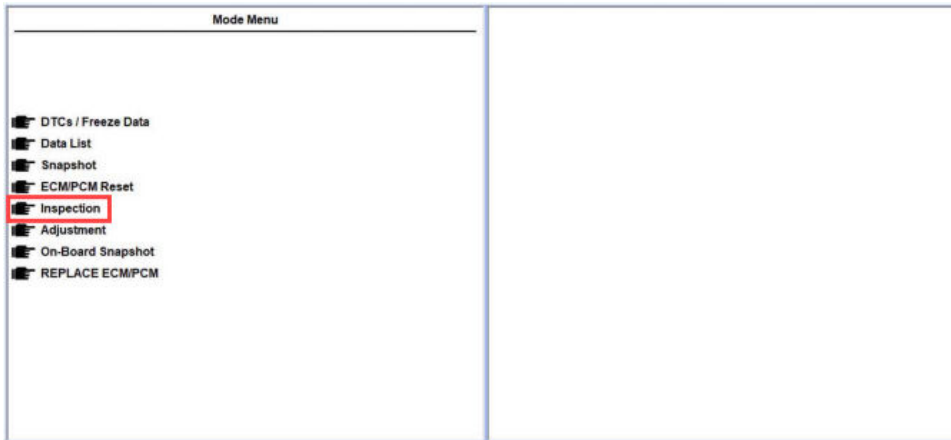
2. Select **PGM FI**.



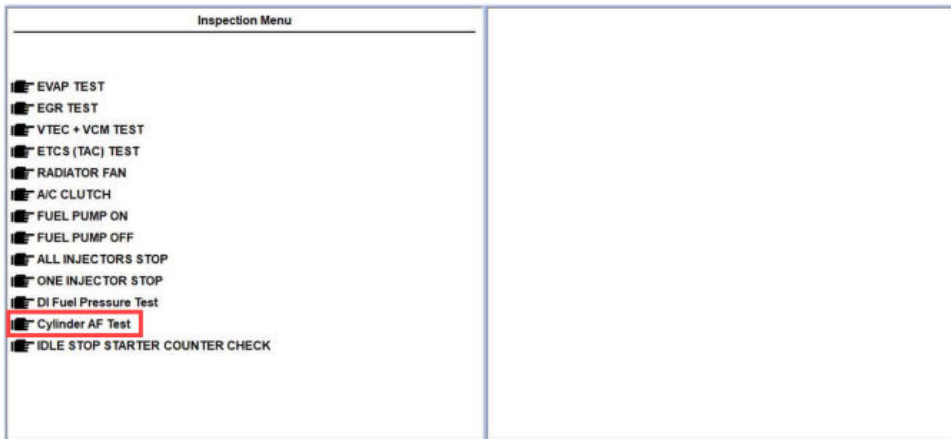
3. Select **PGM FI**.



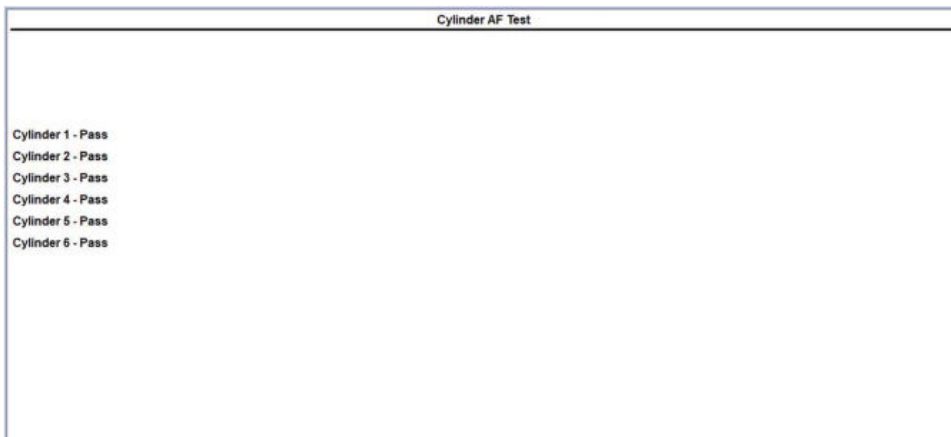
4. Select **Inspection**.



5. Select **Cylinder AF Test**.



6. Make sure all cylinders pass.



Did all cylinders pass?

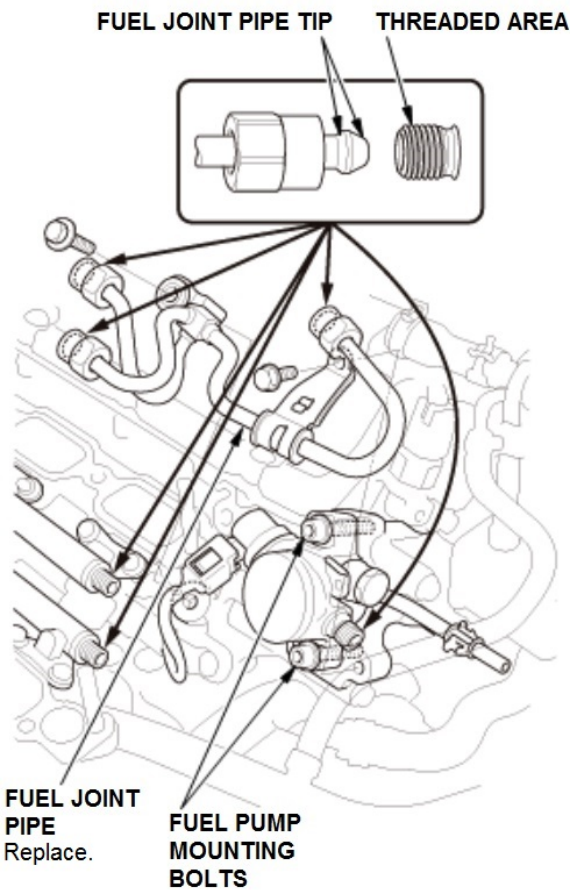
Yes - The repair is complete.

No - Go to Fuel Injector Replacement.

Fuel Injector Replacement

1. Remove the fuel injectors. Refer to the service information.
 - 1.1. Relieve the fuel pressure.
 - 1.2. Remove the intake manifold and intake manifold base.

- 1.3. Remove the high pressure fuel pump cover.
- 1.4. Remove the fuel rail cover.
- 1.5. Remove the fuel joint pipe.
- 1.6. Remove the fuel rail and injector.
- 1.7. Remove the injectors from the fuel rail.
2. Install the parts in the reverse order of removal. Refer to the service information.
 - 2.1. Install the fuel injectors to the fuel rail.
 - 2.2. Install the fuel rail and fuel injectors to the cylinder head.
 - 2.3. Lubricate the tips of the new fuel joint pipe with polyethylene glycol (included in the fuel joint pipe kit).
 - 2.4. Also, lubricate the threaded areas of the fuel rails and high pressure fuel pump with polyethylene glycol.



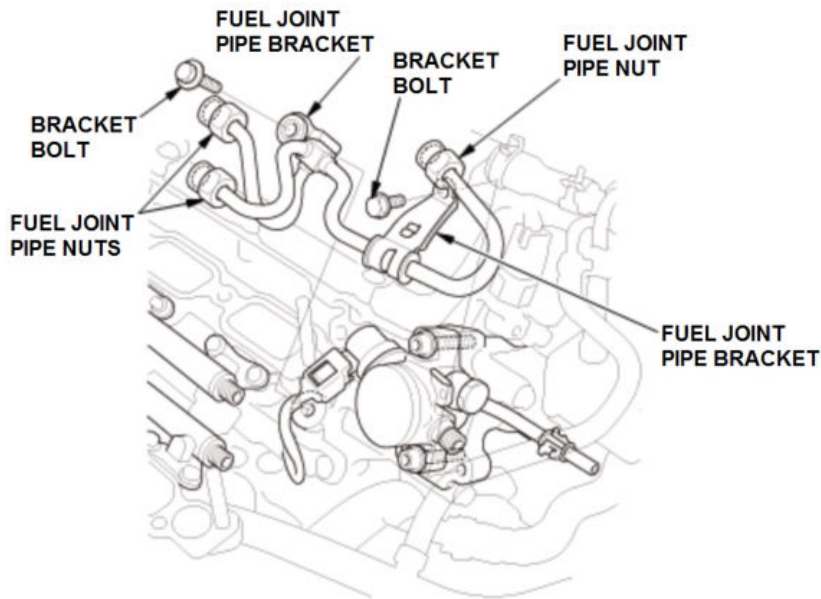
NOTICE

Do not reuse the fuel joint pipe. Failure to install a new fuel joint pipe will cause fuel leaks.

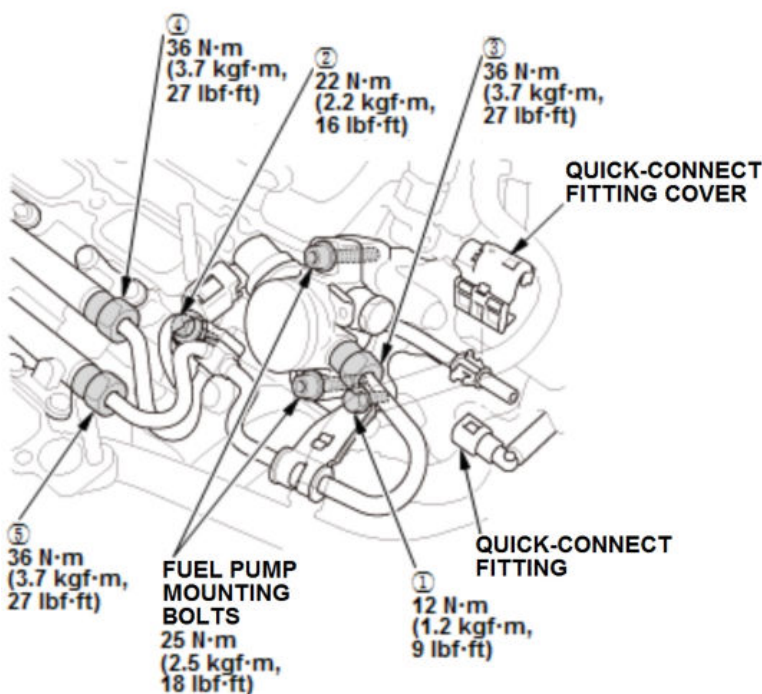
NOTE

Before you install the fuel joint pipe, loosen the fuel pump mounting bolts.

- 2.5. Tighten the fuel joint pipe nuts by hand until the tips of the fuel joint pipe are seated on the fuel rails and the high pressure fuel pump.



- 2.6. Loosely install the bracket bolts to secure the new fuel joint pipe to the cylinder head.
 2.7. Tighten the fuel pump mounting bolts to **25 N·m (18 lb-ft)**.



- 2.8. Tighten the fuel joint pipe bracket bolts to **12 N·m (9 lb-ft)** and **22 N·m (16 lb-ft)** as shown.
 2.9. Tighten the fuel joint pipe nuts to **36 N·m (27 lb-ft)** as shown.

NOTES

- A crowfoot-type tool increases the torque applied by the torque wrench. Refer to the procedure, Torque Specifications in the service information for details on how to recalculate the torque wrench setting.
- Failure to tighten the fuel joint pipe nuts to the proper torque will cause a fuel leak.

- 2.10. Connect the quick-connect fitting, and install the quick-connect fitting cover.
- 2.11. Check for fuel leaks.
- 2.12. Install the fuel rail cover.
- 2.13. Install the high pressure fuel pump cover.
- 2.14. Install the intake manifold base and intake manifold.
3. Do an all DTC check, and clear DTCs from all systems.

END