

1 06 07-19



## Service Information Bulletin

SUBJECT	DATE
Engine Electrical - Fuel Injector Harness	June 2019

### Additions, Revisions, or Updates

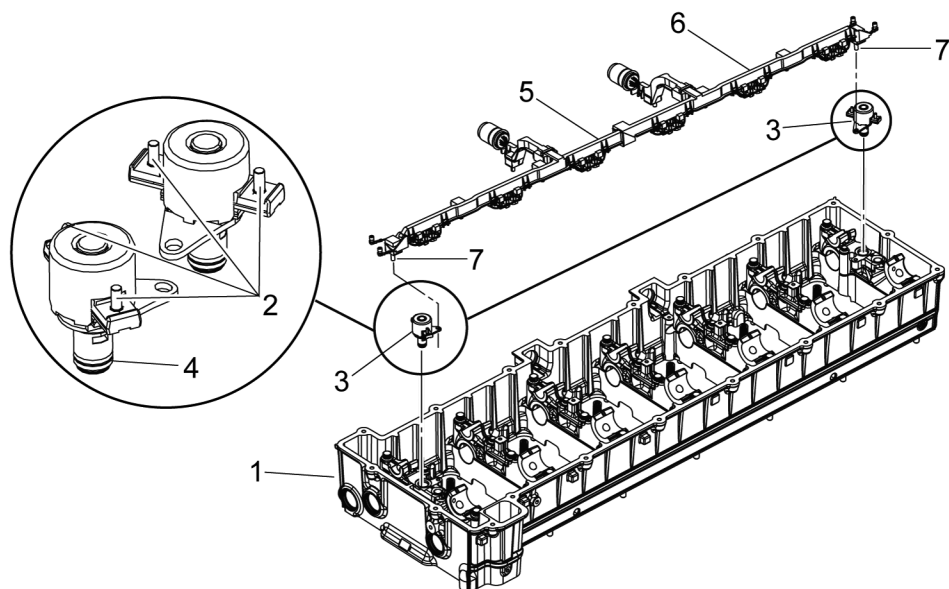
Publication Number / Title	Platform	Section Title	Change
DDC-SVC-MAN-0190	GHG17 DD Platform	Description and Operation of the Fuel Injector Harness	Updated the Fuel Injector Harness sections and relocated to Engine Electrical section.
		Removal of the Fuel Injector Harness	
		Inspection of the Fuel Injector Harness	
		Installation of the Fuel Injector Harness	



13400 Outer Drive, West, Detroit, Michigan 48239-4001  
 Telephone: 313-592-5000  
[www.demanddetroit.com](http://www.demanddetroit.com)

## 2 Description and Operation of the Fuel Injector Harness

The fuel injector harness acts as the interface between the six fuel injectors, two engine brake solenoids, and the Engine Sensor Harness. The rocker cover bolts maintain torque and sealing integrity on the rocker cover seal.



d540057

- |                                                    |                                            |
|----------------------------------------------------|--------------------------------------------|
| 1. Camshaft Housing                                | 5. 14-Pin Injector Harness                 |
| 2. Engine Brake Solenoid Wiring Terminals (4 qty.) | 6. Wiring Terminals to Injectors (24 qty.) |
| 3. Engine Brake Solenoid (2 qty.)                  | 7. Bolt                                    |
| 4. O-ring (2 qty.)                                 |                                            |

**Figure 1. Two-Piece Fuel Injector Wiring Harness**

### 3 Removal of the Fuel Injector Harness

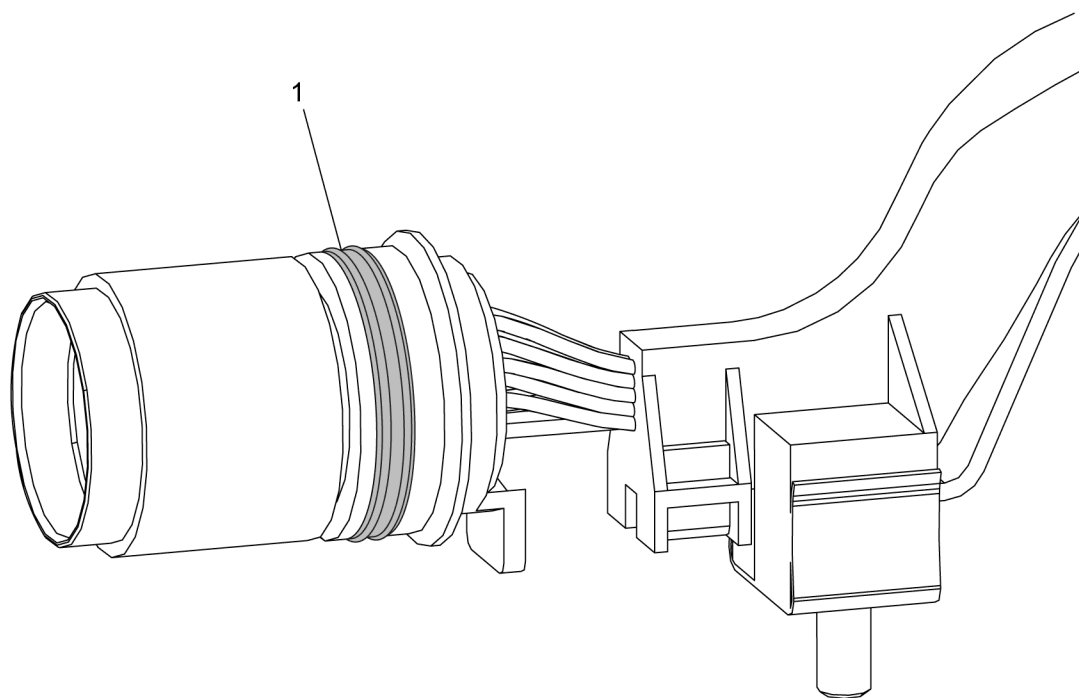
Remove as follows:



#### CAUTION: ELECTRICAL SHOCK

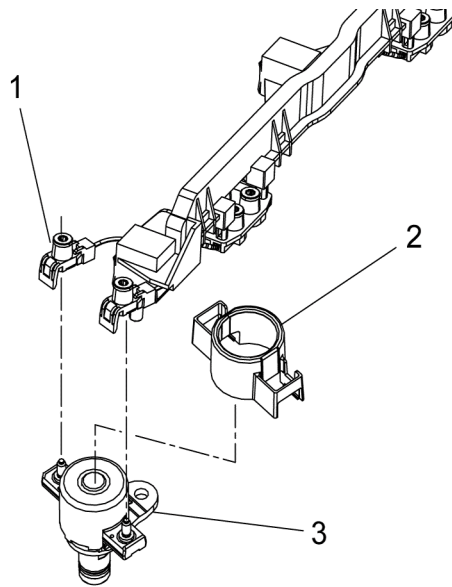
To avoid injury from electrical shock, use care when connecting battery cables. The magnetic switch studs are at battery voltage.

1. Disconnect batteries. Refer to proper OEM procedures.
2. Remove the rocker cover. Refer to section "Removal of the Rocker Cover".
3. Disconnect 14-pin injector harness connectors (1).



d070113

4. Disconnect electrical contacts at the injectors.
5. Disconnect two wiring terminals (1) going to the appropriate engine brake solenoid (3).



d050044

6. Remove the bolts attaching the fuel injector wiring harness to the camshaft housing.
7. Remove spring clips holding the appropriate injector harness connector to camshaft frame.
8. Remove injector wiring harness.

## 4 Inspection of the Fuel Injector Harness

Inspect and clean as follows:

1. Clean the injector harness in clean fuel oil.



**WARNING: EYE INJURY**

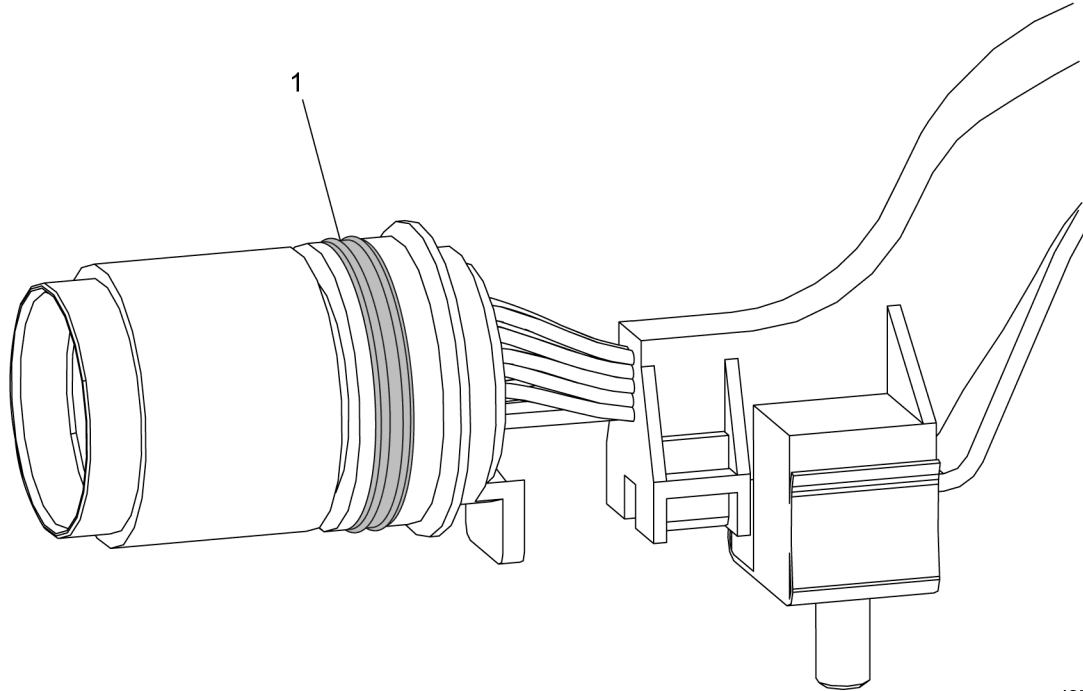
To avoid injury from flying debris when using compressed air, wear adequate eye protection (face shield or safety goggles) and do not exceed 276 kPa (40 psi) air pressure.

2. Blow dry with compressed air.
3. Check the injector harness for damage. Replace as necessary.

## 5 Installation of the Fuel Injector Harness

Install as follows:

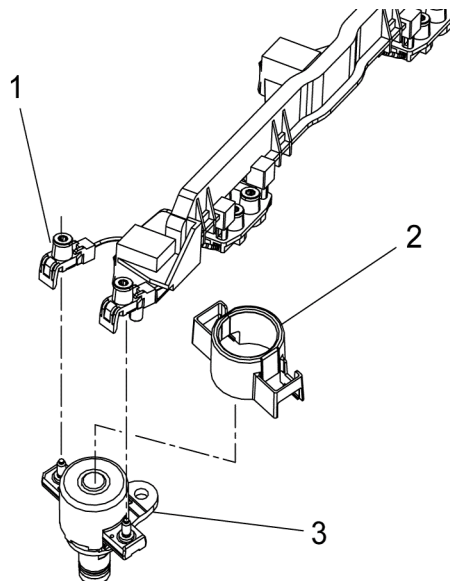
1. Lightly lubricate the outer seal (1) prior to installing the new injector harnesses with clean engine oil.



d070113

**NOTICE:** The protective cover on the injector harness is not removable. Attempting to remove the protective cover from the terminal nut will result in damage to the injector harness.

2. Install injector harness and tighten the allen head mounting screws to 10 N·m (7 lb·ft).
3. Install electrical contacts to injector and tighten to 1.9 N·m (17 lb·in.).



d050044

4. Connect engine brake solenoid terminals and torque to 1.5 N·m (1 lb·ft).
5. Install spring clips holding injector harness connector to camshaft frame.
6. Connect 14-pin injector harness connectors.
7. Install the rocker cover. Refer to section "Installation of the Rocker Cover".

**CAUTION: ELECTRICAL SHOCK**

To avoid injury from electrical shock, use care when connecting battery cables. The magnetic switch studs are at battery voltage.

8. Connect batteries. Refer to OEM procedures.