



01-19-02 - Update Programming, DTCs P0172, P0300 - P0304, P0441, P0456, P060C, P2440, P2450 Release date: 7/16/2019

Condition

Applicable Vehicles					
Model(s)	Year	Eng. Code	Trans. Code	VIN Range From	VIN Range To
Tiguan LWB	2018	2.0T (DGUA)	All	All	All

Revision Table			
Instance Number	Published Date	Version Number	Reason For Update
2054615/2	7/16/19	01-19-02	Update to claim comment Technical Bulletin number in the warranty table.
2054615/1	7/1/19	01-19-02	Original publication.

One or more of the following fault codes may be stored in the ECM Fault Memory:

DTC	Description
P0172	System Too Rich Bank 1
P0300	Random/Multiple Cylinder Misfire Detected
P0301	Cyl.1 Misfire Detected
P0302	Cyl.2 Misfire Detected
P0303	Cyl.3 Misfire Detected
P0304	Cyl.4 Misfire Detected
P0441	EVAP System Incorrect Purge Flow
P0456	EVAP System Leak Detected (Very Small Leak)
P060C	Internal Control Module Main Processor Performance
P2440	Secondary Air Injection System Switching Valve Stuck Open Bank 1



01-19-02 - Update Programming, DTCs P0172, P0300 - P0304, P0441, P0456, P060C, P2440, P2450

Release date: 7/16/2019

P2450	EVAP System Switching Valve Performance/Stuck Open
-------	--

 **Note:**

DO NOT diagnose or replace any components for the above faults **before** performing the hardware replacement and update function as explained in this bulletin.

Technical Background

Current ECM software causing erroneous faults.

Production Solution

Improved software implemented into production.

Service

Hardware Replacement:

1. Remove and replace the low pressure supply fuel hose running from the bulk head to the HPFP with part number 06K 133 986 FG.

 **Note:**

It is important that the replacement fuel hose follows the exact same routing as the removed hose.

2. Remove and replace the Activated Charcoal Filter pipe with part number 5Q0 133 366 L.

 **Note:**

It is important that the replacement pipe follows the exact same routing as the removed pipe.

3. Remove and replace the air duct lower section located directly behind the radiator fan shroud with part number 5QM 129 217 by performing the following steps:



01-19-02 - Update Programming, DTCs P0172, P0300 - P0304, P0441, P0456, P060C, P2440, P2450 Release date: 7/16/2019

3a. Remove screws -1-, release the catch – arrow- and remove the cover -2-. (See Fig. 1)

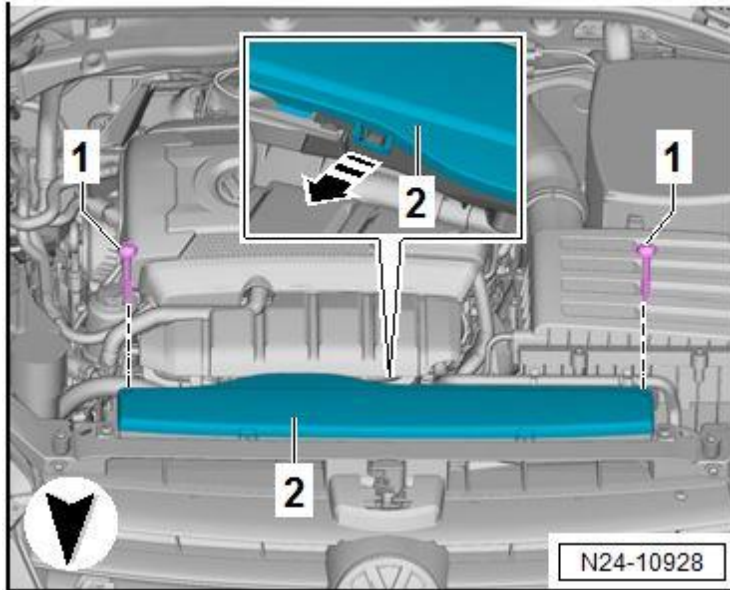


Fig. 1

3b. Free up the coolant hose -2-, release the retainers in direction of -arrows- and remove the air guide upper section -1-. (See Fig. 2)

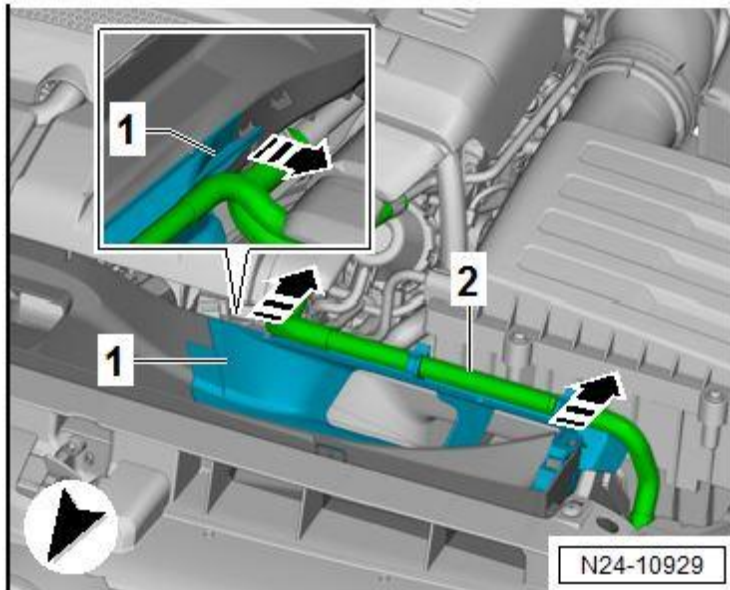


Fig. 2



01-19-02 - Update Programming, DTCs P0172, P0300 - P0304, P0441, P0456, P060C, P2440, P2450 Release date: 7/16/2019

3c. Disconnect the vacuum hose -1-, remove the connector -2- for the Mass Airflow Sensor -G70-, open the hose clamp -3- and remove the air duct hose, and remove the air filter housing -4- upward from the rubber bushing. (See Fig. 3)

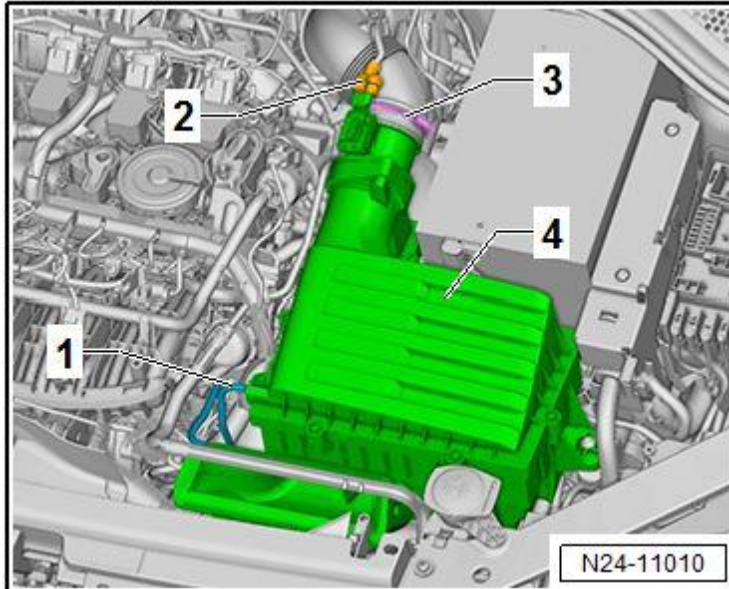


Fig. 3

3d. Remove the bolt -arrow- on the left and right and unclip and remove the lower section -1- of the air duct. (See Fig. 4)



Fig. 4



01-19-02 - Update Programming, DTCs P0172, P0300 - P0304, P0441, P0456, P060C, P2440, P2450 Release date: 7/16/2019

3e. Install the new air duct lower section, reassemble vehicle in reverse order of removal, and continue to **Update-Programming Procedure** below.

Update-Programming Procedure:

Critical Warning: : The Midtronics battery charger **must** be connected to the vehicle battery for the duration of the programming, to ensure the battery state of charge remains above 12.5 volts during the update process. If the battery drops below 12.5 volts, the programming could fail which may result in damage to the control module. Control modules damaged by inadequate voltage will not be covered under the warranty policy. The technician should verify the vehicle voltage prior to starting the update process, and should monitor the voltage for the duration of the update.



WARNING:

Radiator Fan(s) may cycle ON high speed during the Update Process! There is a risk that personal injury may result if contact is made with spinning fan blades.

Keep hands and all objects away from Radiator Fan(s) during Update Process!



Note:

Prior to launching the ODIS Service diagnostic applications and starting control module update process, confirm tester screen saver and power settings in accordance with Special Tools and Equipment - Service Information Circular # VVT-12-02. Failure to do so may result in the tester entering power save mode during data transfer, and subsequent control module failure. When using a VAS 6150/X or 6160/X tester in conjunction with a VAS 5054A wireless transmitter head for a flash procedure, connect a USB cable between the transmitter head and the tester. Failure to do so may lead to errors during the flash procedure.

VAS tools must only be used with their power adapters plugged in. Under no circumstances should they be used on battery power alone during the programming procedure.



Tip:

To Update-Programming using Software Version Management (SVM), **review and follow** instructions in **Technical Bulletin Instance 2014603** "Software Version Management".

The SVM process must be completed in its entirety so the database receives the update confirmation response. A warranty claim may not be reimbursed if there is no confirmation response to support the claim or action is carried out that is not explicitly stated in the Technical Bulletin.



01-19-02 - Update Programming, DTCs P0172, P0300 - P0304, P0441, P0456, P060C, P2440, P2450

Release date: 7/16/2019

- Update the -J623- Engine/Motor Control Module (ECM) and -J217- Transmission Control Module (TCM) using the SVM Unit code as listed in the table below:

ECM Part Number and Software Level							
Model	Engine	Old Software Part No.	Old Software Version	New Software Part No.	New Software Version (or higher)	SVM Unit Code	
Tiguan LWB	DGUA	5NA 907 115 A	0002 0004	5NA 907 115 K	0001	4335	
TCM Part Number and Software Level							
Tiguan LWB	DGUA	09G 927 158 Q	3111 3193 3234 3272 3379 3486	09G 927 158 DT	3549		
			09G 927 158 B				3112 3194 3235 3270 3380 3487

The procedure can be found in GFF under Functions/ Component Selection, Software Version Management, Adapting Software.



Tip: The procedure can be found in GFF under Functions/ Component Selection, Software Version Management, Adapting Software.

Ensure attached ECM/TCM Tuning Form has been completed and signed by customer as required in SVM Technical Bulletin Instance 2014603.



01-19-02 - Update Programming, DTCs P0172, P0300 - P0304, P0441, P0456, P060C, P2440, P2450 Release date: 7/16/2019

Warranty

To determine if this procedure is covered under Warranty, always refer to the Warranty Policies and Procedures Manual 1)					
Model(s)	Year	Eng. Code	Trans. Code	VIN Range From	VIN Range To
Tiguan LWB	2018	2.0T (DGUA)	All	All	All
SAGA Coding					
Claim Type:	Use applicable Claim Type 1)				
Service Number:	Damage Code	HST	Damage Location (Depends on Service No.)		
2470	0039	--	--		
Parts Manufacturer	Tiguan LWB		3ME 2)		
Labor Operation 3) :Cover Remove + Reinstall	10831900 = See Elsa for the latest time units				
Labor Operation 3) :Replace Supply Line	20381971 = See Elsa for the latest time units				
Labor Operation 3) :Replace Activated Charcoal Filter pipe	20221970 = See Elsa for the latest time units				
Labor Operation 3) :Remove and Reinstall Air Cleaner	24251970 = See Elsa for the latest time units				
Labor Operation 3) :Replace Air Duct	19241999 = 20 TU				
Labor Operation 3) :Charge Battery	27068950 = See Elsa for the latest time units				
Labor Operation 3) :Update Programming	See GFF Time expenditure				
Causal Part:Select Labor Operation	01500000				
Diagnostic Time 4)					
GFF Time expenditure	01500000 = 50 TU max.		YES		



01-19-02 - Update Programming, DTCs P0172, P0300 - P0304, P0441, P0456, P060C, P2440, P2450

Release date: 7/16/2019

Road Test	01210004 = 00 TU	NO
Technical Diagnosis	01320000 = 00 TU max.	NO
Claim Comment: Input "As per Technical Bulletin 2054615" in comment section of Warranty Claim.		
<p>1) Vehicle may be outside any Warranty in which case this Technical Bulletin is informational only.</p> <p>2) Code per warranty vendor code policy.</p> <p>3) Labor Time Units (TUs) are subject to change with ELSA updates.</p> <p>4) Documentation required per Warranty Policies and Procedures Manual.</p>		

Required Parts and Tools

Part No:	Part Description	Quantity
5QM 129 217	Air Duct (lower section)	1
06K 133 986 FG	Hose	1
5Q0 133 366 L	Pipe	1
<p>Part numbers are accurate at time of publication. Always refer to ETKA for the latest part information.</p>		

Tool Description	Tool No.
Midtronics Battery Tester/Charger	InCharge 940 (INC-940) or GRX3000VAS
VAS Diagnostic Tool	VAS6150/x & VAS 6160/X with: ODIS Service with current online updates

Additional Information

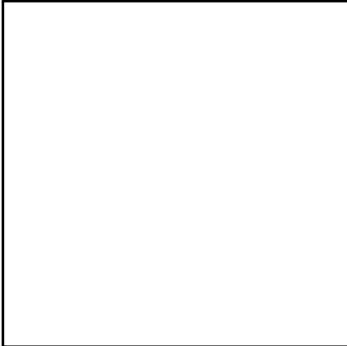
All part and service references provided in this Technical Bulletin are subject to change and/or removal. Always check with your Parts Dept. and Repair Manuals for the latest information.



**OWNER INFORMATION ABOUT CONTROL MODULE TUNING*
ACKNOWLEDGEMENT AND AUTHORIZATION FOR
REPROGRAMMING (REFLASHING) OF CONTROL MODULE(S)**

*) "TUNING" is described as the addition of or modification of any component which causes a Volkswagen vehicle to perform outside the normal parameters and specifications approved by Volkswagen Group of America / Volkswagen Group Canada.

Date: _____
Dealer Number: _____
Vehicle Identification Number: _____
Repair Order Number: _____



Dealer stamp

I _____, owner or driver of the above identified Volkswagen, confirm:

"Tuning" as described above (especially power increasing modifications) has NOT been performed on my vehicle.

"Tuning" as described above has been performed on my vehicle and the following components were modified or installed:

TUNING was performed by (Please provide Company name and telephone number, if you wish us to contact them):

I understand that if my Control Module is determined to have been tuned, any damage caused by the tuning of the Control Module (including adverse emissions consequences) will not be covered by VWGoA / VGC warranties.

I am permitting an authorized Volkswagen Dealer to reflash (update) my Control Module, and by doing so, I understand that this process will automatically overwrite (destroy) and permanently delete any tuning program that was previously installed on the Control Module of my Volkswagen vehicle.

By signing below, I fully acknowledge and understand that the tuning program will not be restored and VWGoA / VGC, will not be liable in any way for the loss of tuning data.

Signature of Customer