



Technical Journal

TITLE:

**High oil consumption.
Engine 61**

REF NO: TJ 34588.2.0	ISSUING DEPARTMENT: Technical Service	CAR MARKET: United States and Canada	
PARTNER: 3 US 7510 Volvo Car USA		ISSUE DATE: 2019-04-16	STATUS DATE: 2019-06-20
FUNC GROUP: 2100	FUNC DESC: Engine	Page 1 of 13	

“Right first time in Time”

Attachment

File Name	File Size
TJI-481117-2_1_1_en-US.pdf	2.2471 MB

Vehicle Type

Type	Eng	Eng Desc	Sales	Body	Gear	Steer	Model Year	Plant	Chassis range	Struc Week Range
124	61	B5254T12					2013-2014		-	201220-201345
134	61	B5254T12					2013-2016		-	201220-201616
136	61	B5254T12					2016-2016		-	201517-201619
137	61	B5254T12					2016-2016		-	201524-201616
138	61	B5254T12					2016-2016		-	201521-201616
155	61	B5254T12					2014-2016		-	201349-201616
156	61	B5254T12					2015-2016		-	201420-201616

CSC Customer Symptom Codes

Code	Description
AZ	Lubrication and oil system/Excessive oil consumption

VST Operation Number

VST Operation Number	Description
98575-2	Piston ring replacement



DTC Diagnostic Trouble Codes

Rows beginning with * are modified

Note! If using a printed copy of this Technical Journal, first check for the latest online version.

Text

DESCRIPTION:

* Vehicle type and TJI changed.

If customer experience “Low oil pressure light” coming on. No external leakage.

High engine oil consumption may occur. Follow the instructions under “Service”

SERVICE:

Replace piston ring kit according to attached instruction.

VEHICLE REPORT:

Yes, please submit a Vehicle Report if the service solution described in this TJ has no effect. Use concern area “Vehicle Report” and sub concern area “Support not needed”, use function group 2100.

To view TJ attachment continue to next page. This TJ has one attachment.



Volvo Car Customer Service

TJ Instruction VCC-481117-2

Title	Piston rings	Page	1 (11)
Action	Replacement	Operation number:	98575-2

Issue	Date	Reason
1	2019-03	First issue
2	2019-04	Change in Affected Vehicles

Affected vehicles

Model year	Model	Engine
2013, 2014, 2015, 2016	S60 (11-18)	B5254T12
2016	S60 Cross Country	B5254T12
2016	S60L	B5254T12
2013, 2014	S80 (07-)	B5254T12
2014, 2015, 2016	V60 (-18)	B5254T12
2015, 2016	V60 Cross Country (-18)	B5254T12
2015, 2016	XC60 (-17)	B5254T12
2016	XC70 (08-)	B5254T12

Materials

Materials	Qty.	Part No.	Notes
Engine oil	0.1		Consumable;
Abrasive cloth	1	9511024	
Isopropanol	0.2	31375638	Consumable;
Chemical gasket	0.5	1161059	
Piston ring kit	5.0	30750667	
Screw	10.0	9497858	

Special tools

Description	Part No.
Holder (remov.piston/connecting rod) B 200-B 6304	999 5746
Guide pin	999 7273
Roller (Applying liquid gasket) B234,5234,6304	951 2767

Equipment

Designation	Part No.
Piston ring pliers	

Equipment

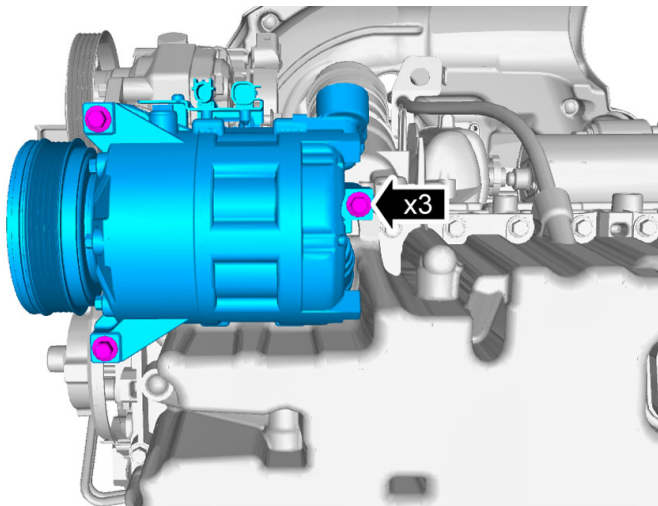
Designation	Part No.
Piston ring compressor	

Removal

Note! Removal steps in this procedure may contain installation details.

Remove the cylinder head , refer to:
Removal, replacement and installation
2 - Engine with mountings and equipment
21 - Engine
211 - cylinder head

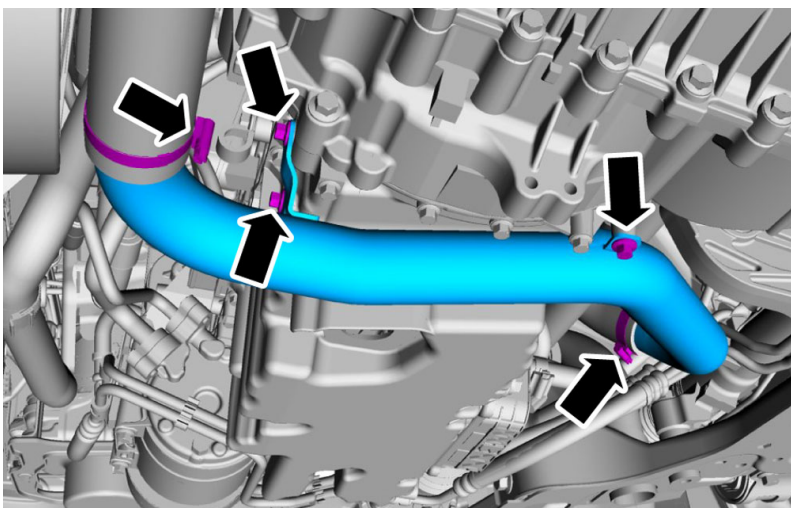
Drain engine oil , refer to:
Removal, replacement and installation
2 - Engine with mountings and equipment
22 - Lubricating and oil system
220 - general



Remove the screws.

Torque:

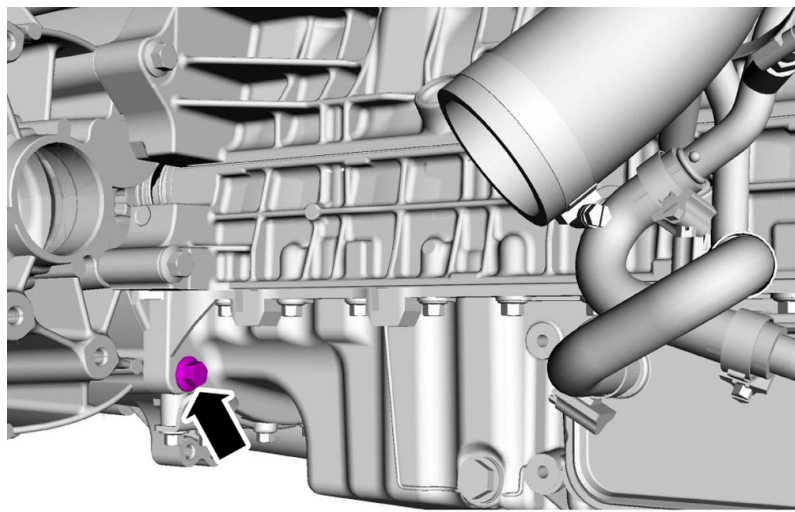
M8 , 24 Nm



Remove the screws.

Torque:

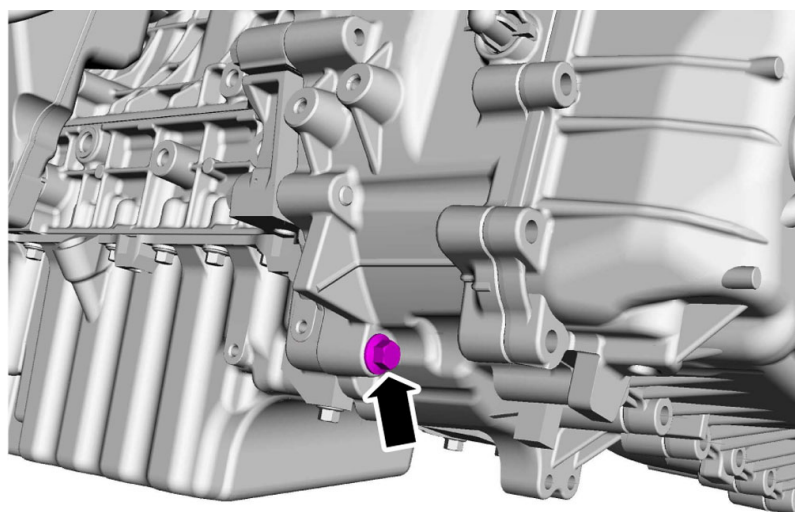
M7 , 17 Nm



Remove the screw.

Torque:

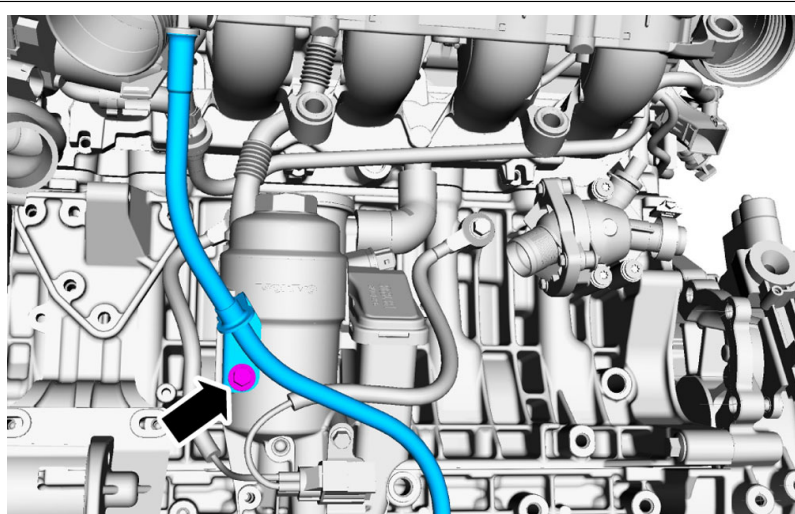
M10 , 50 Nm



Remove the screw.

Torque:

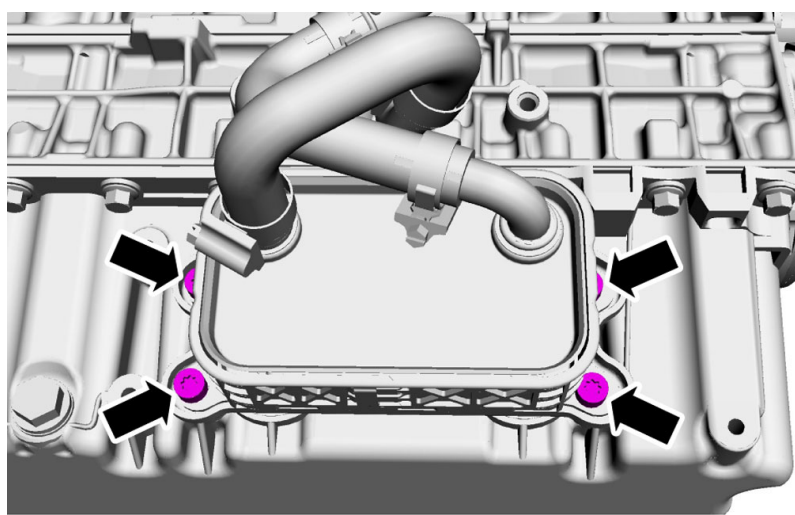
M10 , 50 Nm



Remove the screw.

Torque:

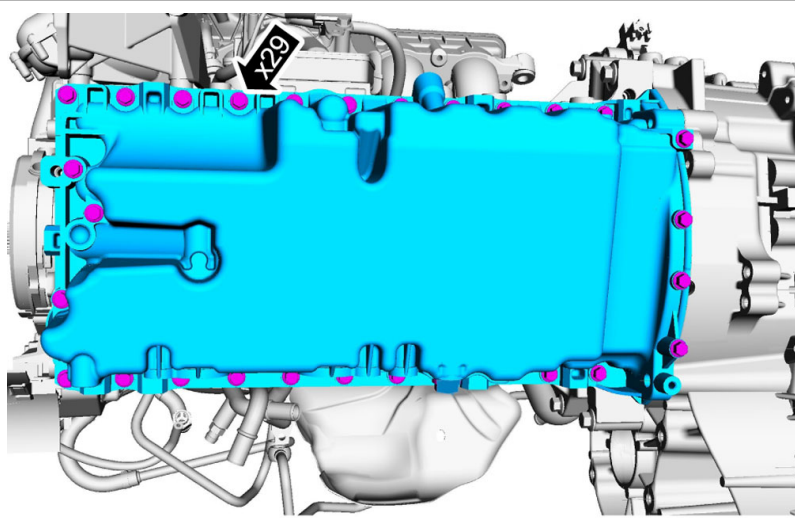
M6 , 10 Nm



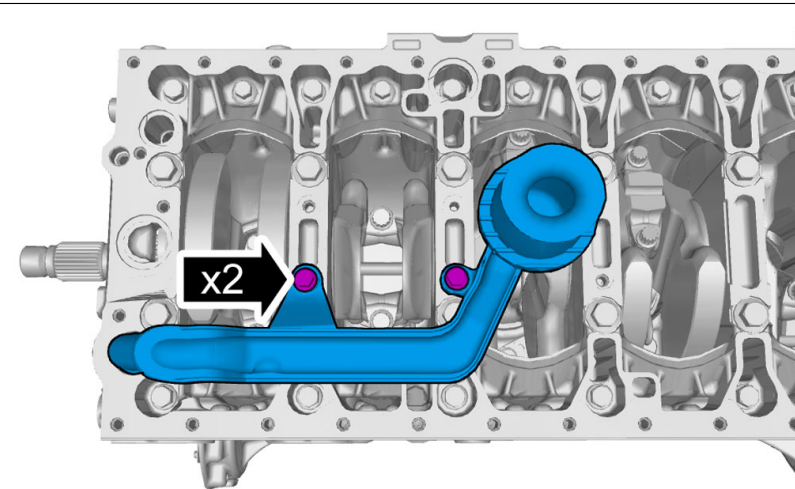
Remove the screws.

Torque:

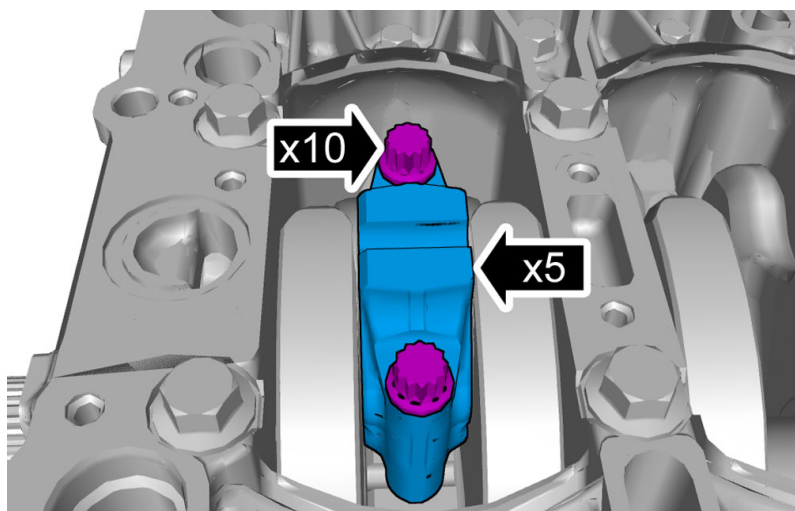
M7 , 17 Nm



Remove the screws.



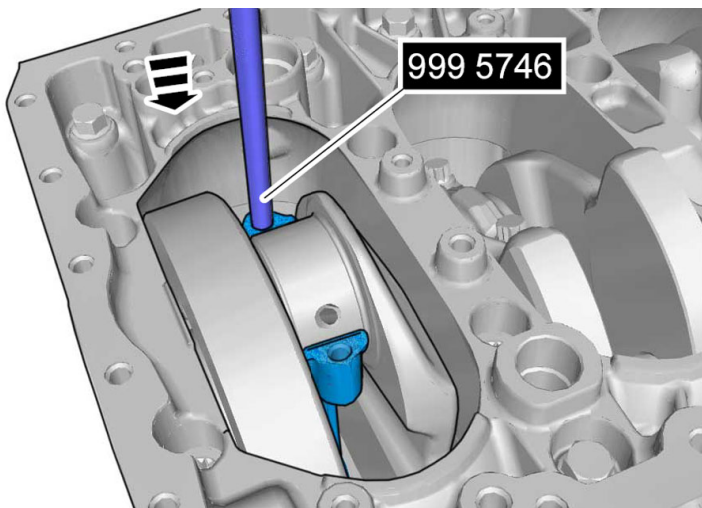
Remove the screws.



Caution! Note the position of the bearing caps in relation to the rotation of the crankshaft. The bearing caps are not interchangeable.

Caution! Note the position of the components before removal.

Remove the screws.

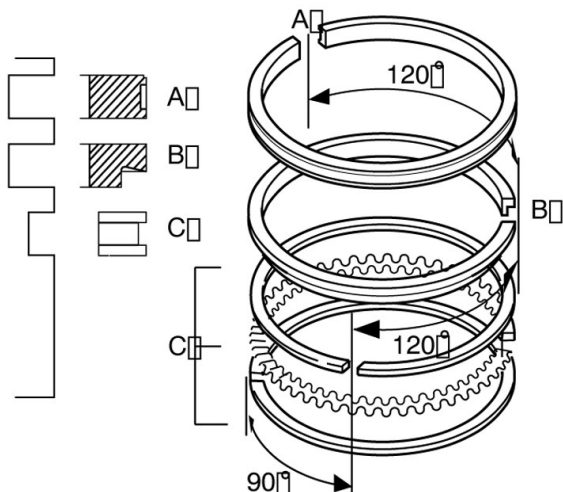


Caution! Take extra care when handling the components.

Caution! Take extra care not to damage the bearings.

Special Tool: T9995746, Holder (remov.piston/ connecting rod) B 200-B 6304

Installation



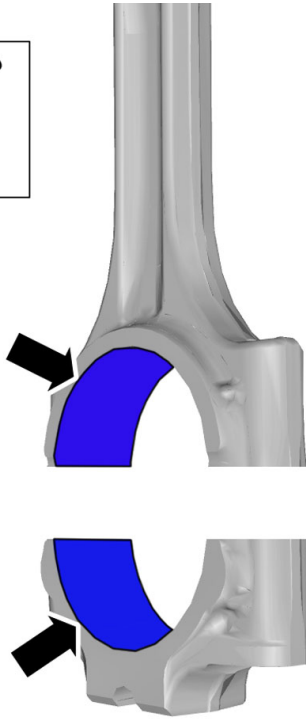
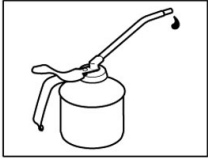
Note! Make sure that the component is clean and free of foreign material.

Note! Text or marking on piston ring A must be face up.

Note! Make sure that new components are installed.

Use: Piston ring pliers

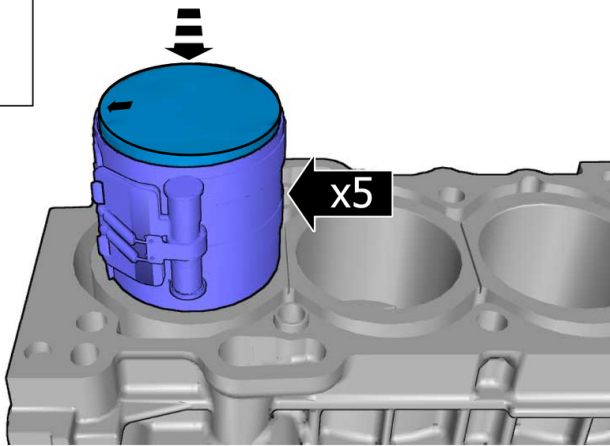
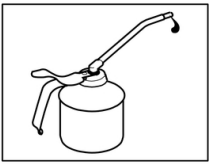
Use: Engine oil ,

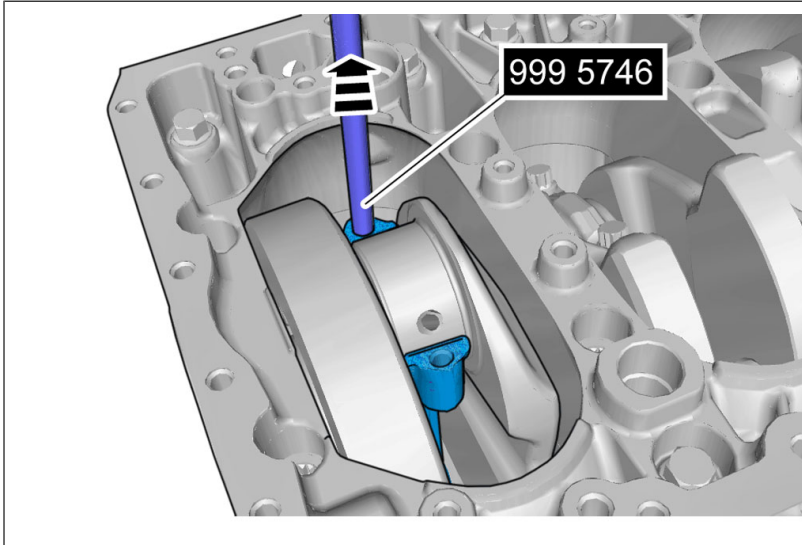


Note! Make sure that the direction arrow points towards the front of the engine.

Use: Piston ring compressor

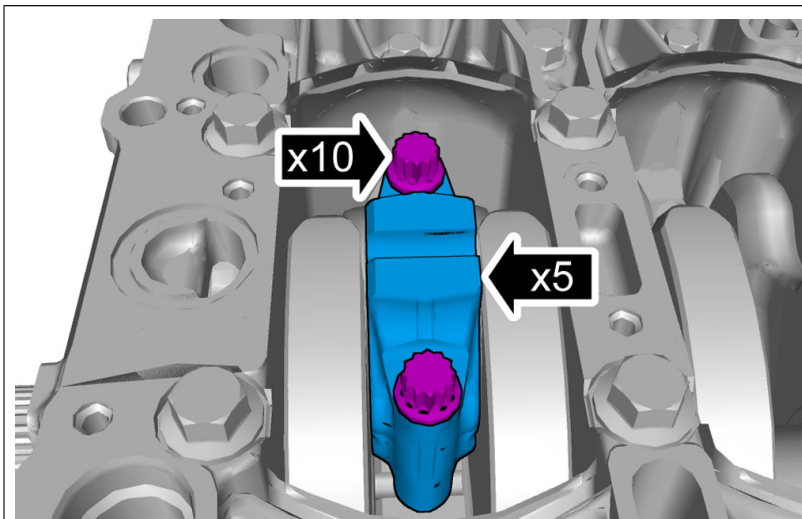
Use: Engine oil ,





Caution! Take extra care not to damage the bearings.

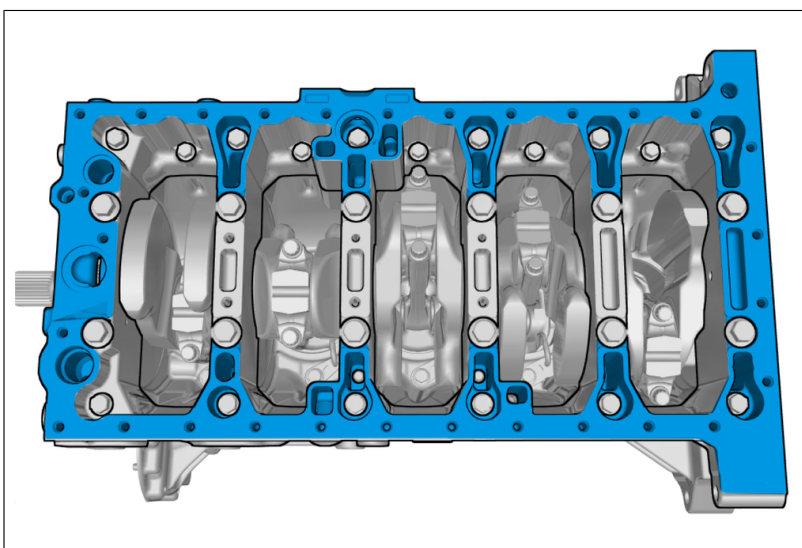
Special Tool: T9995746, Holder (remov.piston/ connecting rod) B 200-B 6304



Caution! Make sure that the components are positioned correctly.

Torque:

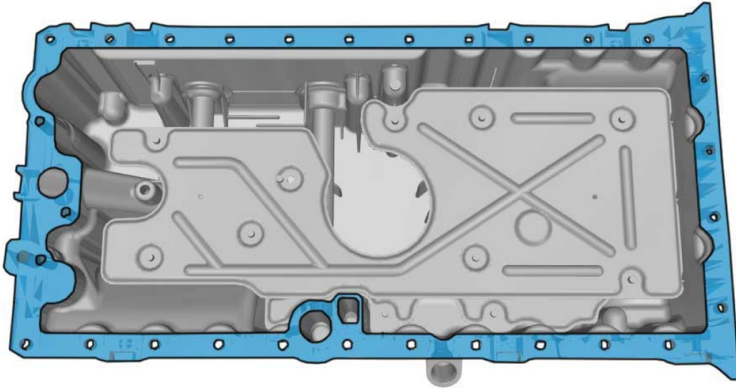
- Stage 1 : Cap connecting rod , 30 Nm
- Stage 2 : Cap connecting rod , 90°



Caution! Make sure that the mating faces are clean and free of foreign material.

Use: Abrasive cloth , 9511024

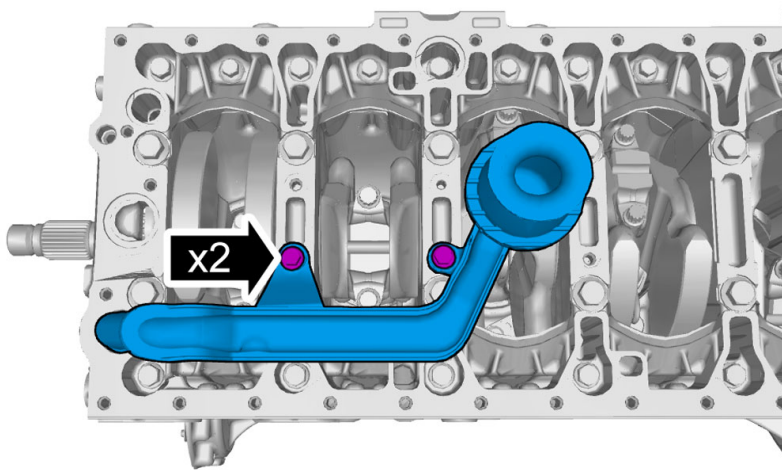
Use: Isopropanol , 31375638



Caution! Make sure that the mating faces are clean and free of foreign material.

Use: Abrasive cloth , 9511024

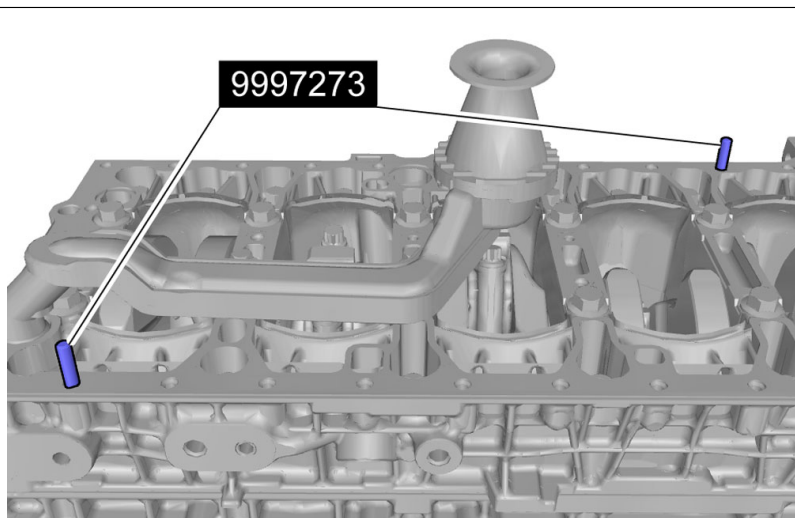
Use: Isopropanol , 31375638



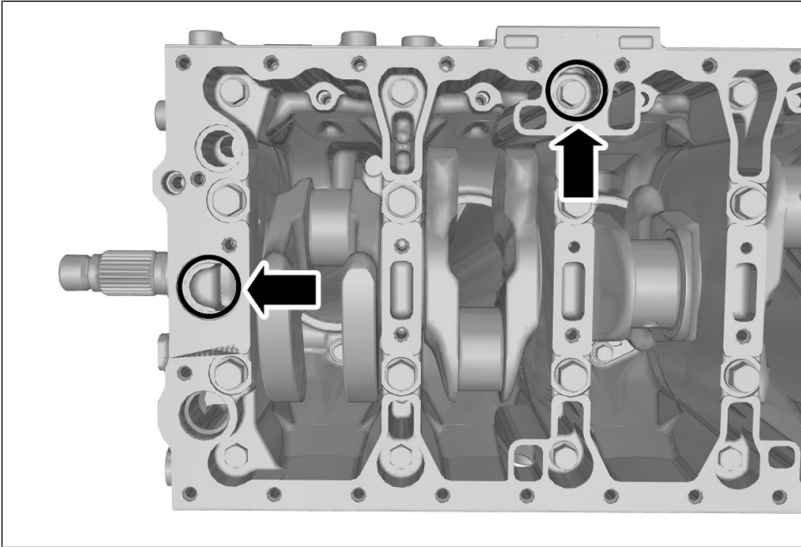
Install the screws.

Torque:

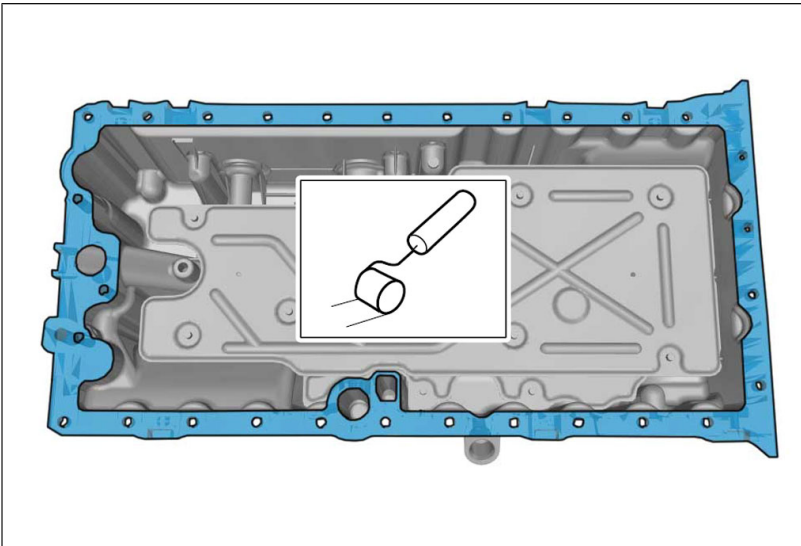
M7 , 17 Nm



Special Tool: T9997273, Guide pin



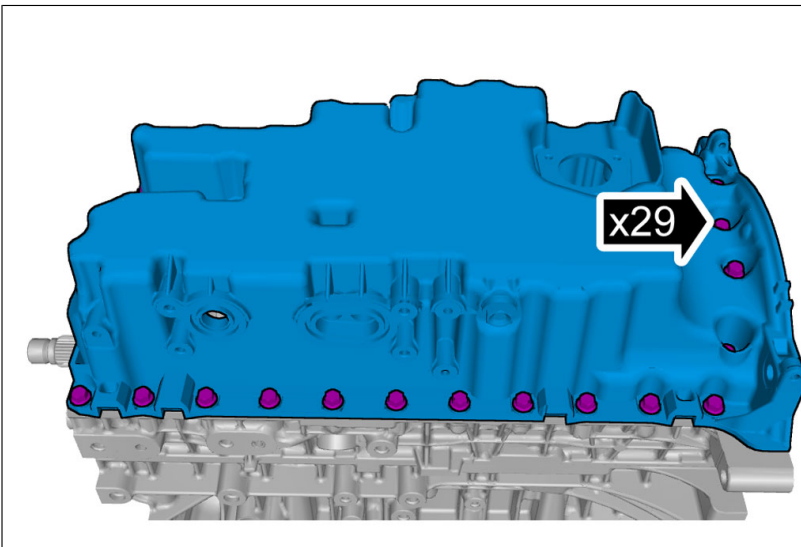
Caution! Make sure that the gaskets are correctly located.



Note! The component must be installed within 5 minutes of applying the sealant.

Special Tool: T9512767, Roller (Applying liquid gasket) B234,5234,6304

Use: Chemical gasket , 1161059



Torque:

M7 , 17 Nm

To install, reverse the removal procedure.

Top up the engine oil , refer to:
Removal, replacement and installation
2 - Engine with mountings and equipment
22 - Lubricating and oil system
220 - general

Install cylinder head , refer to:
Removal, replacement and installation
2 - Engine with mountings and equipment
21 - Engine
211 - cylinder head