



Service Bulletin

Bulletin No.: 18-NA-150

Date: June, 2019

INFORMATION

Subject: 6.6L Duramax Possible Oil Leak Path Information

Brand:	Model:	Model Year:		VIN:		Engine:	Transmission:
		from	to	from	to		
Chevrolet	Silverado	2017	2018			L5P, L5D	All
	Silverado 2500/3500	2019	2020				
GMC	Sierra	2017	2018				
	Sierra 2500/3500	2019	2020				

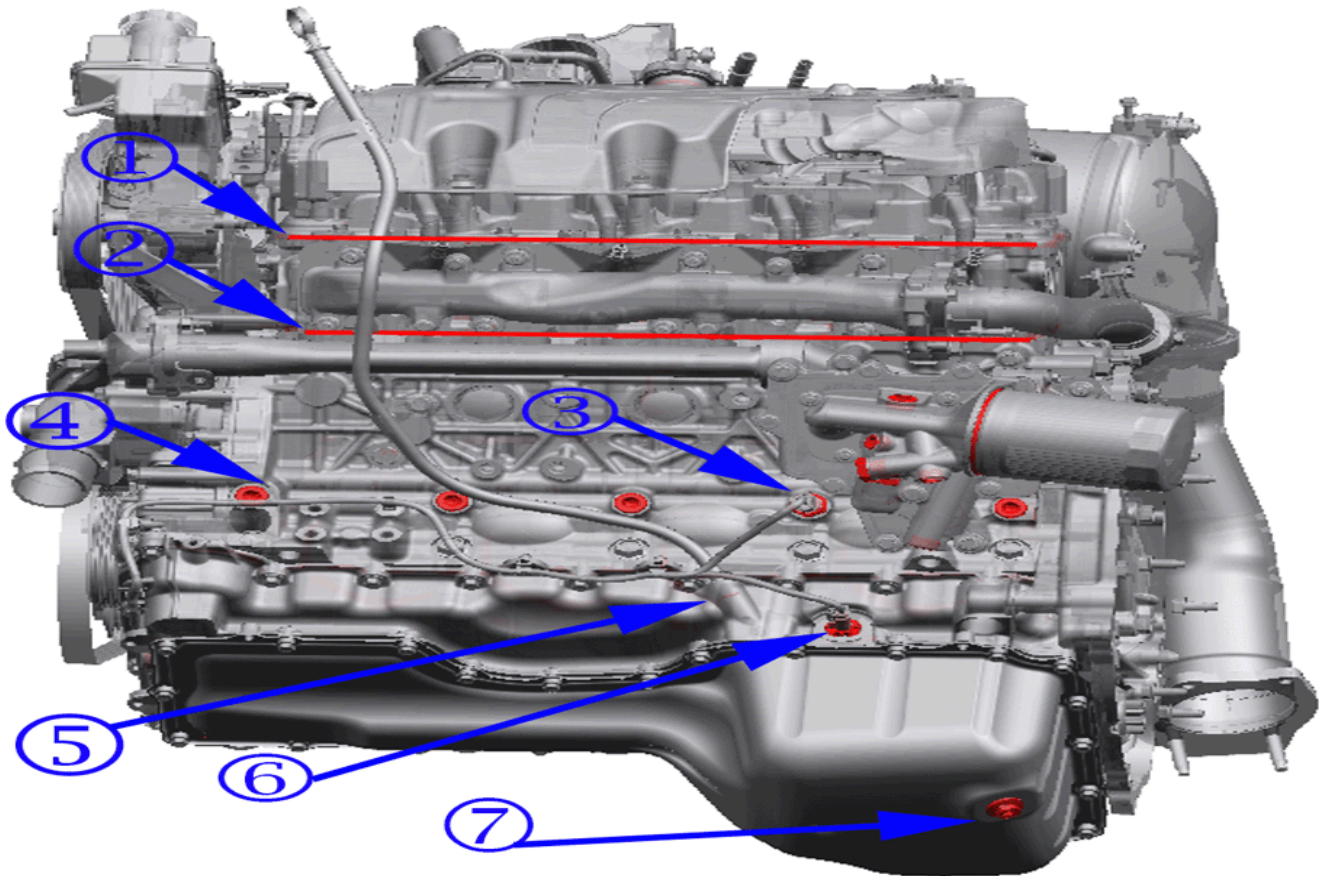
Involved Region or Country	North America, Middle East, Israel, South America and Thailand.
Additional Options (RPOs)	Equipped with 6.6L Diesel Engine (RPO L5P)

This document is to help identify where to look for an oil leak on the 6.6 Duramax engine.

Note: Please keep in mind that a leak on the top of the engine will trail down the back side of the engine and appear as a rear cover leak.

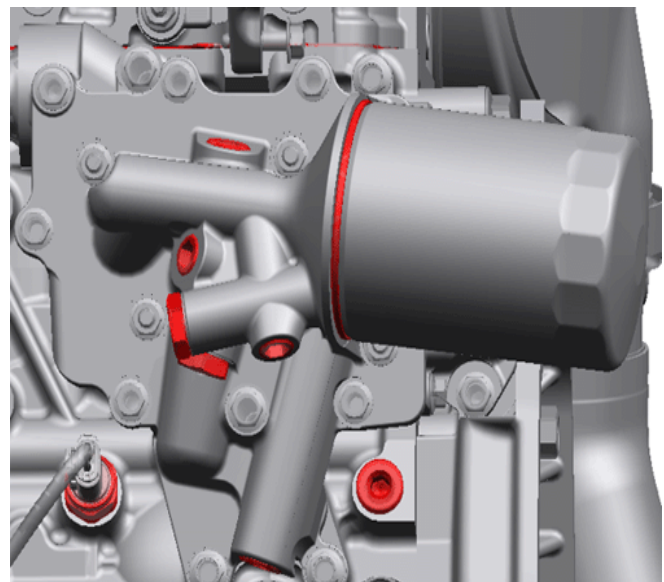
Please use the illustrations below as a guide of where to look for a potential oil leak.

Possible Oil Leak Paths



Legend

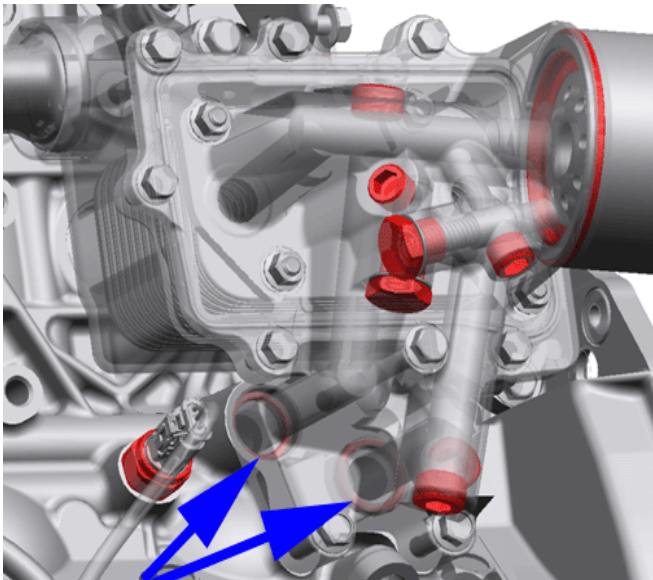
- (1) GASKET, VLV RKR ARM CVR (Rocker Cover Gasket)
- (2) GASKET, CYL HD (Head Gasket)
- (3) SENSOR, ENG OIL PRESS (Oil Pressure Sensor)
- (4) PLUG, ENG BLK OIL GAL (Plugs in Block Qty 4)
- (5) SEAL, OIL LVL IND TUBE (O-Ring on Oil Indicator Tube)
- (6) SEAL, ENG OIL LVL IND SW (Oil Level Sensor)
- (7) SEAL, OIL PAN DRN PLUG (Oil Drain Plug)



5053868

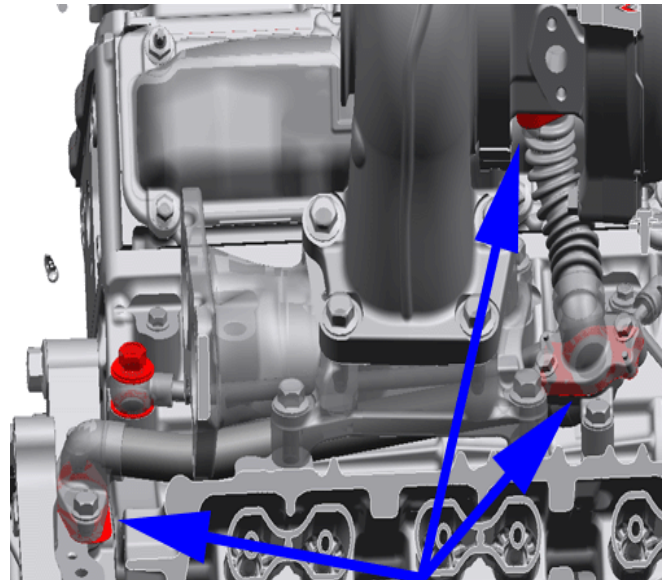
5053869

Plugs and Gaskets in Oil Cooler and Filter



5053871

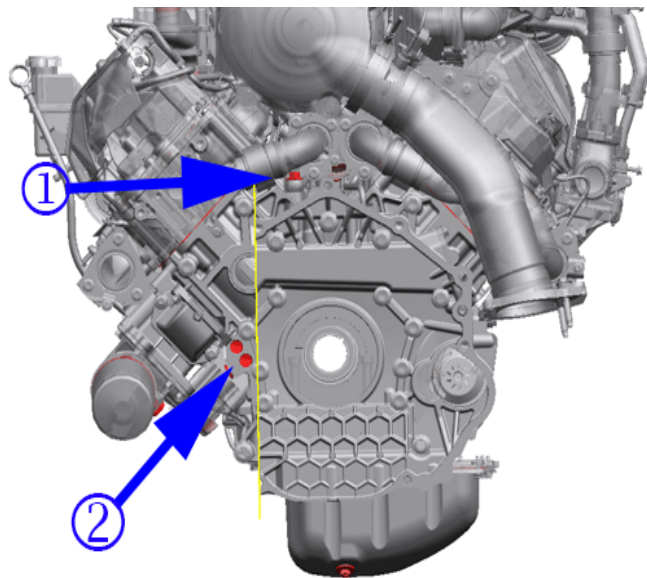
Ghost view of the Oil Cooler Cover to reveal 2 O-rings (SEAL, ENG OIL CLR).



5053874

Legend

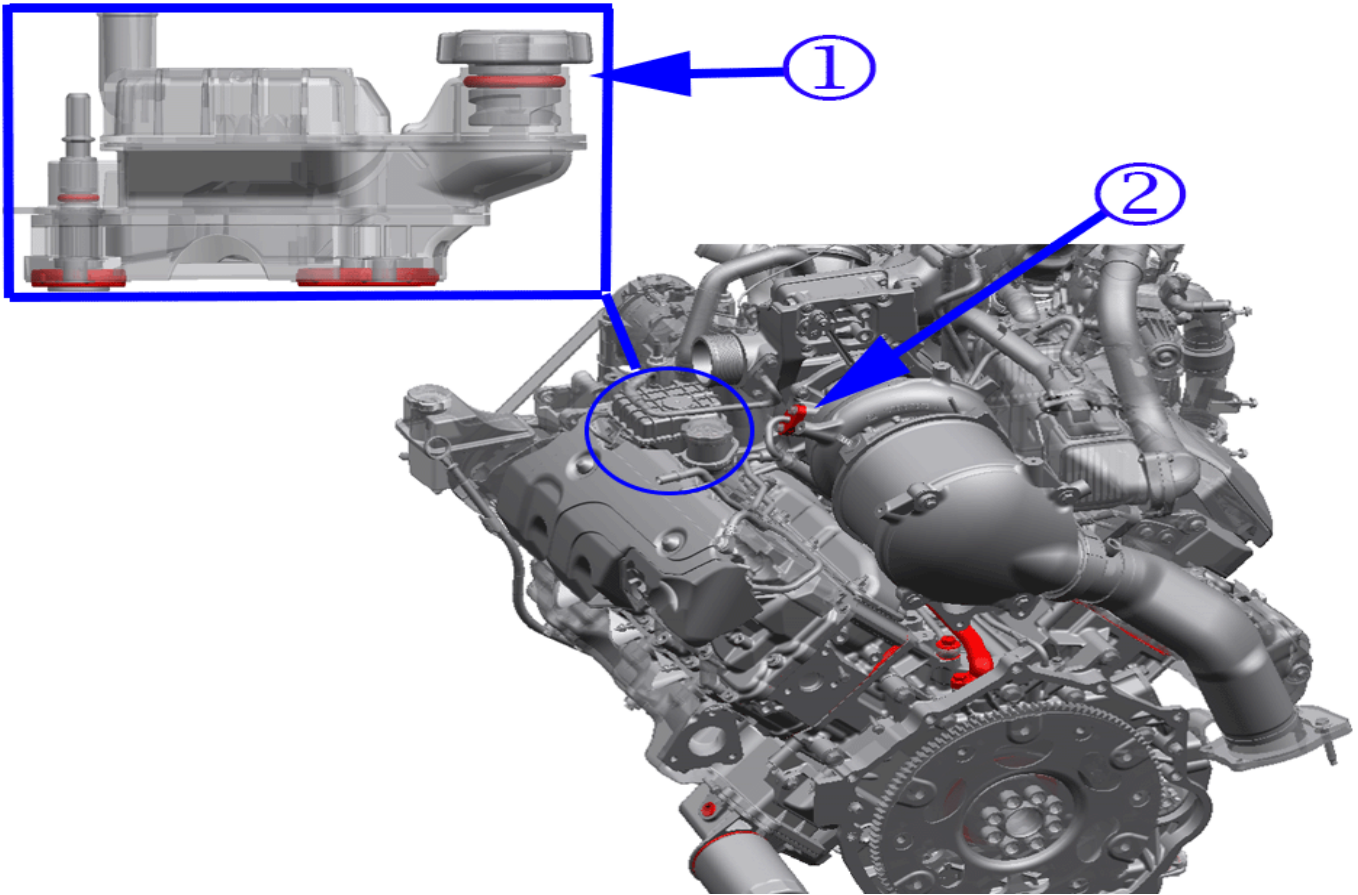
- (1) GASKET, TURBO OIL RTN PIPE (Turbo Oil Drain Pipe Gaskets (Quantity 3))
-



5053872

Legend

- (1) GASKET, TURBO OIL FEED PIPE (Turbo Oil Feed Pipe into Block, Turbo Pipe removed for picture only)
 - (2) PLUG, ENG BLK OIL GAL (Section cut through Flywheel housing to show 2 plugs on the back of the engine block)
-

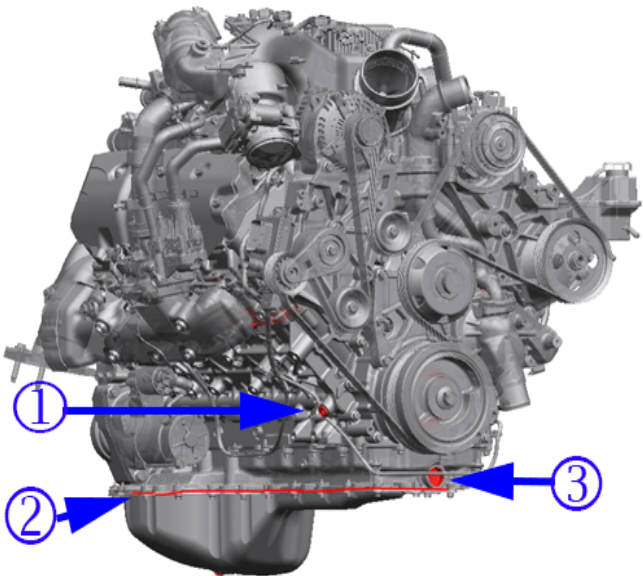


5053875

Legend

- (1) SEAL, OIL FIL CAP (Oil Separator Gaskets)
- (2) GASKET, TURBO OIL FEED PIPE (Turbocharger Oil Gasket (2))

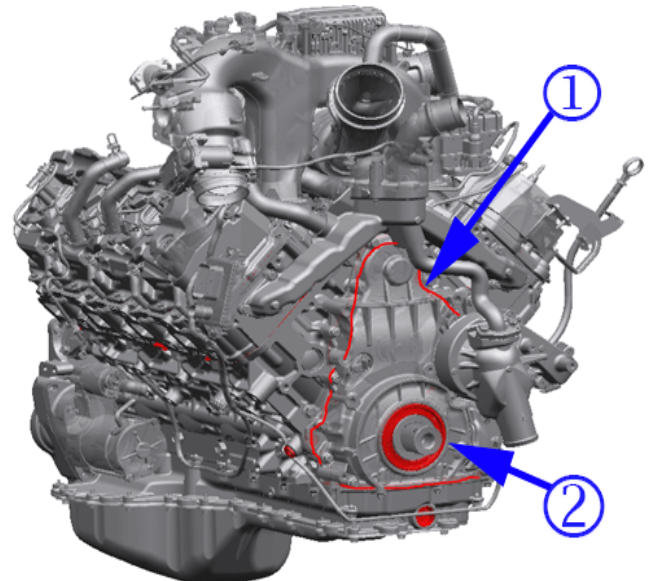
- (3) PLUG, CYL HD OIL GAL (Upper Oil Pan Plug)



5053878

Legend

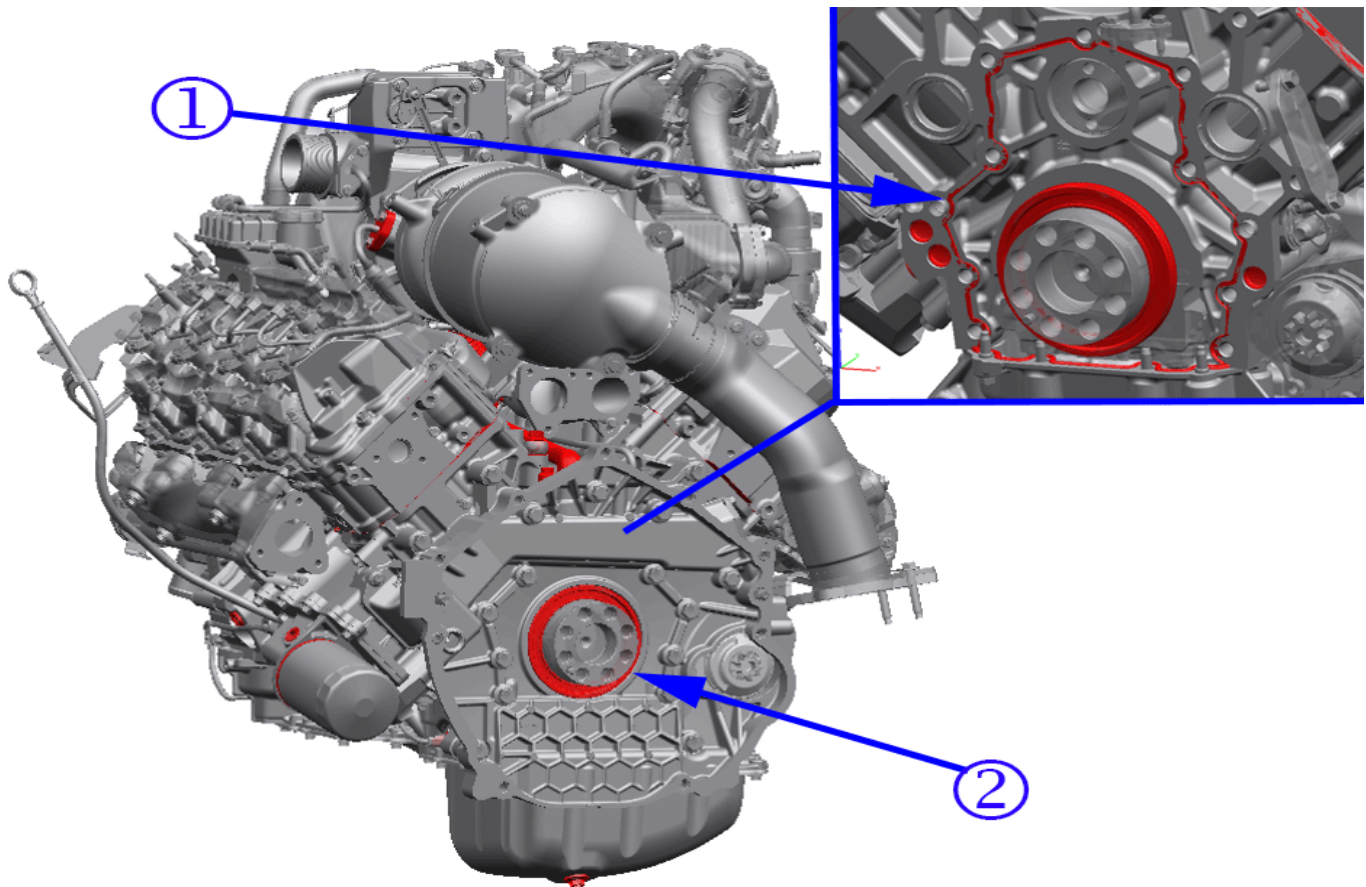
- (1) PLUG, ENG BLK OIL GAL (Oil Gallery Plug)
- (2) RTV (Oil Pan Seals)



5053879

Legend

- (1) RTV (Front Cover Seal)
- (2) SEAL, CR/SHF FRT OIL (Front Bearing Seal)



Note: (Flywheel Housing has been removed for clarity of picture)

5053880

Legend

- (1) RTV (Flywheel Housing Seal)
- (2) SEAL, CR/SHF RR OIL (Rear Bearing Seal)

Version	3
Modified	Released May 04, 2018 Revised July 25, 2018 - Added the 2019 Model Year. Revised June 24, 2019 - Added 2500/3500 to Models and 2020 to Model Year section.

