

NOISE FROM THE FRONT SEATS WHEN ADJUSTING THE SEAT LENGTH

MODEL

F06 (6 Series Gran Coupe)	F12 (6 Series Convertible)	F13 (6 Series Coupe)
---------------------------	----------------------------	----------------------

SITUATION

Due to the elimination of the NED test plan for seat noise from ISTA, we are releasing this bulletin.

Noise is heard coming from the front seat rails when moving the seat either forwards or backwards.

CAUSE

The seat rail is not smooth over its entire length.

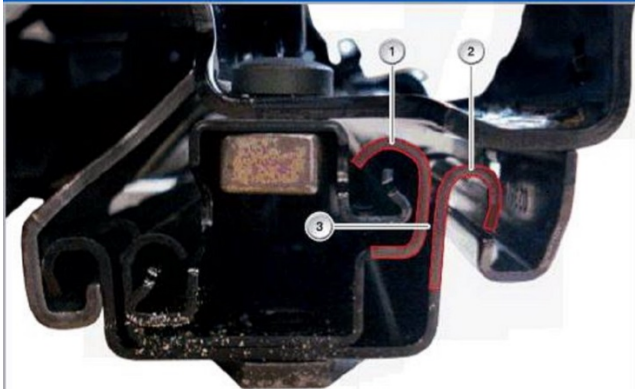
CORRECTION

Insert Hyperlink to Video V520719	If the noise matches this video, then the seat rail needs to be replaced and the new rail lubricated.
---	---

PROCEDURE

1. Review the video above.

- Does the seat noise match the video?
 - **NO** – Continue troubleshooting to discover the root cause of the noise.
 - **YES** – Replace seat rail assembly as per **REP 52 14 820 “Replace left or right seat rail”**.

	2. In addition to the lubrication points indicated in the Repair Instructions, apply lubricating grease (3) BETWEEN the reinforcement plate (1) and the outer shell (2).
---	---

PARTS INFORMATION

Obtain and confirm the part numbers for your specific vehicle by entering the chassis number in ETK/AIR which takes into account specific equipment and/or options.

Part Number	Description	Quantity
Refer to ETK/AIR	Seat Rail	1 or 2 as needed
AND		
83 23 2 208 093	BMW Lubricating Grease FB-1 (100g)	Up to 1 (as needed in sublet)

WARRANTY INFORMATION

This service information bulletin provides technical, diagnostic and/or repair-related information.

Eligible and Covered Work/Repairs

When used to repair a verified defect in materials or workmanship, the repair procedure information provided in this bulletin is covered under the terms of the BMW New Vehicle Limited Warranty for Passenger Cars and Light Trucks.

BMW Group - AIR: 2019-05-24 / 09:50
Retailer: 31044/01
Model: 650i
Vehicle identification number: WBA6D4C51GD977578
Development code: F06
Model code: 6D43
Lead type: 6D43

Repair instruction

Replace left or right seat rail (9 FRU)

52 14 820 | REP-REP-RAF3352-5214820 - V.1

52 14 820 Replace left or right seat rail

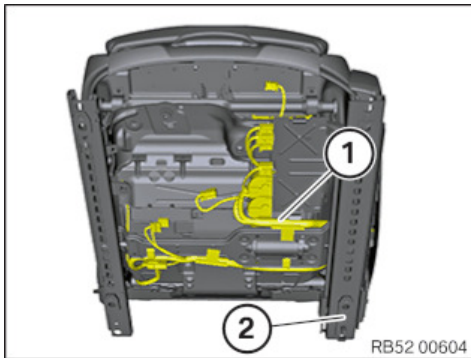


Necessary preliminary tasks:

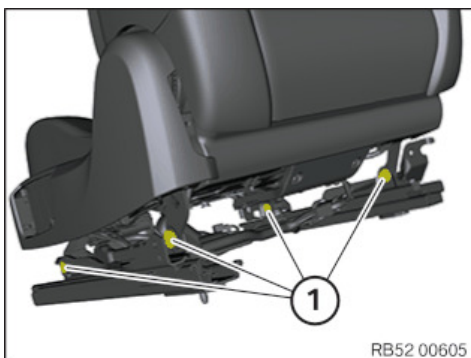
- Remove lower strap.
- Remove control unit for seat adjustment
- Remove inertia reel
- Remove end fitting from seat rail.



Removal:



Unclip wiring harness (1) from seat rail (2).

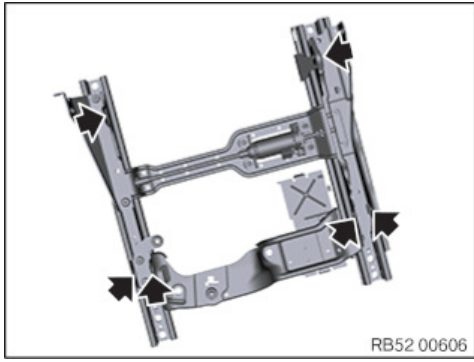


Counter support bolts (1) (**do not turn**) and remove nuts.

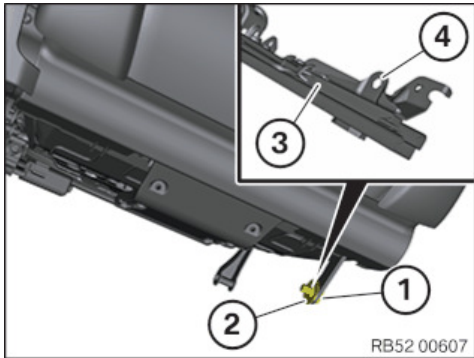
Remove seat rail.



Installation:



Coat marked contact surfaces with lubricating grease, Klübersynth LF 44-22 (part number 83 23 0 396 713).

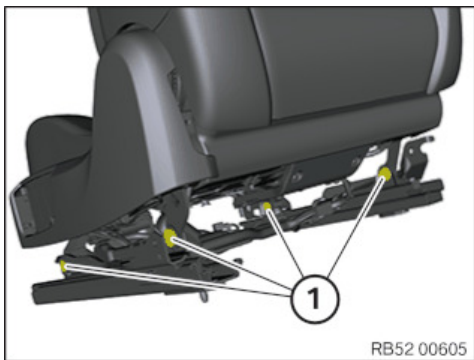


Insert bolt (1) with greased plastic washer (2).

Mount seat rail (3).

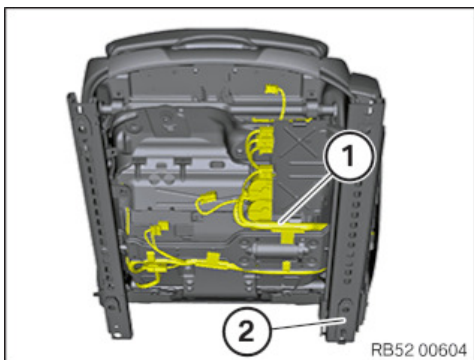
Note:

The hexagon head of the bolt (1) must be correctly seated in hexagon head (4) of seat rail (3).



Counter support bolts (1) (**do not turn**) and tighten nuts.

Tightening torque 52 14 3AZ.



Clip wiring harness (1) into seat rail (2).

Required follow-up work:

- Install lower strap.
- Mount inertia reel
- Install control unit for seat adjustment
- Mount end fitting onto seat rail.

