

Subject <b>Glove Compartment Door Stopper Clarification</b>		Market <b>USA</b>
Service Category <b>Vehicle Interior</b>	Section <b>Interior Panels/Trim</b>	
Applicability <b>2020 MY Corolla and Corolla HV</b>		

**APPLICABLE VEHICLES**

2020	Corolla HV	2020	Corolla
------	------------	------	---------

**CONDITION**

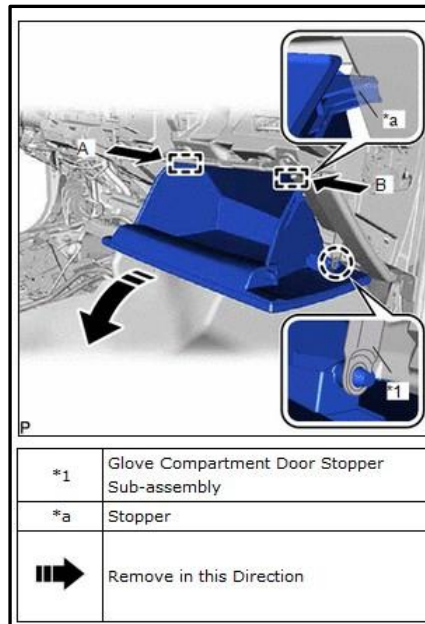
1. Reports of missing glove compartment door stopper [PN - 55054-47010]
2. Reports related to glove compartment door opening too fast

**RECOMMENDATIONS**

The glove compartment door stopper assembly is only included on certain Corolla / Corolla HV trim levels.

Please refer to the matrix below to determine the part applicability for each trim level.

<b>20MY Corolla / Corolla HV Glove Compartment Door Stopper</b>	
TRIM LEVEL	STOPPER
D Grade / L	No
LE	No
XLE	Yes
SE	Yes
XSE	Yes



**LINK REFERENCES**

This Tech Tip does not contain any link references

<b>Subject</b> <b>Glove Compartment Door Stopper Clarification</b>	<b>Market</b> USA
<b>Applicability</b>	