

NUMBER: 23-016-19

GROUP: 23 - Body

DATE: May 14, 2019

This bulletin is supplied as technical information only and is not an authorization for repair. No part of this publication may be reproduced, stored in a retrieval system, or transmitted, in any form or by any means, electronic, mechanical, photocopying, or otherwise, without written permission of FCA US LLC.

SUBJECT:

Battery Acid Leaking on Transmission Pan

OVERVIEW:

This bulletin involves replacing the battery tray drain pipe, adding a battery vent pipe, battery vent cap and clamps.

MODELS:

2015 - 2019

(VM)

RAM ProMaster City

NOTE: This bulletin applies to vehicles within the following markets/countries: NAFTA.

NOTE: This bulletin applies to vehicles built on or before February 01, 2019 (MDH 0201XX).

SYMPTOM/CONDITION:

A customer or technician may notice one or more of the following:

- Battery acid dripping on the transmission pan from the battery tray drain pipe being too short.
- Battery acid residue present on and around the sides of the battery (**technician to verify with litmus paper test**).
- Leak at the valve body cover pan caused by battery acid leaking on it.

DIAGNOSIS:

If the customer describes the symptom/condition listed, perform one of the Repair Procedures.

PARTS REQUIRED:

NOTE:

- There are two kits and two Repair Procedures for this Service Bulletin.
- Kit P/N 68470617AA is for vehicles with a build date BEFORE August 31, 2016 (MDH 0831XX).
- Kit P/N 68470653AA is for vehicles with a build date on or AFTER August 31, 2016 (MDH 0831XX).

Qty.	Part No.	Description
1 (AR)	68470617AA kit for vehicles built before August 31, 2016	Battery Vent Cap, Tray Drain Pipe, Battery Vent Pipe and Clamps Kit
1 (AR)	68470653AA kit for vehicles built on or after August 31, 2016	Battery Vent Cap, Battery Vent Pipe and Clamps Kit
1 (AR)	05078556AA	Transmission Pan (Valve Body Cover)

Qty.	Part No.	Description
1 (AR)	0VU01348AB	MOPAR Instant Battery Cleaner

REPAIR PROCEDURES:**PROCEDURE FOR VEHICLES WITH A BUILD DATE BEFORE AUGUST 31, 2016 USING KIT P/N 68470617AA:**

NOTE: Use MOPAR Instant Battery Cleaner to clean battery acid leaked onto any components.

1. Open the hood.
2. Remove the positive battery fuse and junction box cover (Fig. 1) by pressing both tabs and then lifting up on the cover.



Fig. 1

Battery Fuse and Junction Box Cover

3. Install new battery vent cap (plug) **P/N 68476390AA** on the positive side of the battery.
4. Install the positive battery fuse and junction box cover on the battery.
5. Remove and discard the battery tray drain pipe from the battery tray.

6. Install new battery vent pipe **P/N 68476284AA** on the negative side of the battery (Fig. 2) .



Fig. 2
Negative Side Vent Pipe

7. Install new battery tray drain pipe **P/N 68417800AA** on the battery tray (Fig. 3) .

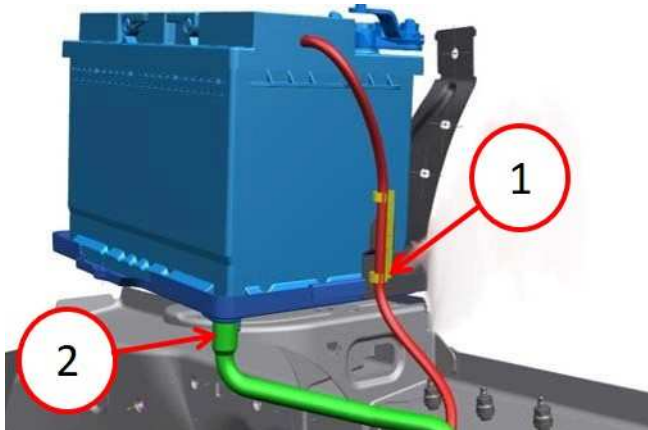


Fig. 3
Clip and New Battery Tray Vent Pipe

- 1 - P/N 68476190AA Clip
 - 2 - P/N 68417800AA Battery Tray Drain Pipe
-

8. Install clip **P/N 68476190AA** (Fig. 4) on the battery tray bracket (Fig. 3) .



Fig. 4
P/N 68476190AA Clip

9. Fasten the battery vent pipe **P/N 68476284AA** on clip **P/N 68476190AA** (Fig. 3) .
10. Install the battery strap and fuse junction box. Refer to the detailed service procedures available in DealerCONNECT/Service Library under: Service Info>08 - Electrical/8F - Engine Systems/Battery System/Battery/Installation.
11. Raise and support the vehicle. Refer to the detailed service procedures available in DealerCONNECT/Service Library under: Service Info>04 Vehicle Quick Reference/Hoisting/Standard Procedure.
12. Inspect the transmission valve body cover pan. Is it leaking transmission fluid?
- YES>>> Replace the valve body cover pan. Refer to the detailed service procedures available in DealerCONNECT/Service Library under: Service Info>21 - Transmission and Transfer Case/Automatic - 948TE/9HP48/Valve Body/Removal and Installation. Continue with the Repair Procedure. Proceed to [Step 13](#).
 - NO>>> Continue with the Repair Procedure. Proceed to [Step 13](#).

13. Install clamp **P/N 68163243AA** into the body hole (Fig. 5) near the transmission.

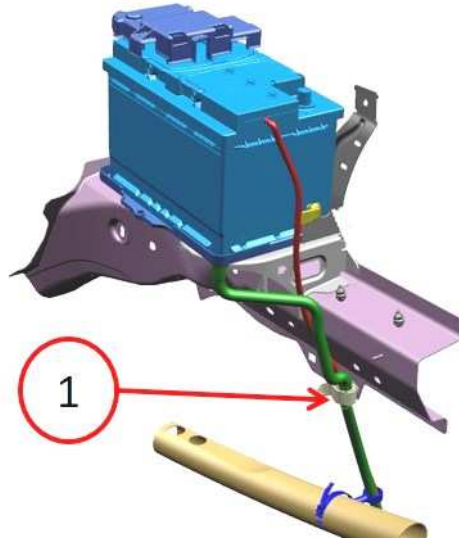


Fig. 5
Clamp on Body Hole

1 - P/N 68163243AA Clamp Installed on Body Hole

14. Install both the battery tray drain and battery vent pipes on clamp **P/N 68163243AA** (Fig. 6) .



Fig. 6
P/N 68163243AA Clamp

15. Install banded clamp **P/N 68461928AA** on the battery tray drain pipe (Fig. 7) .



Fig. 7
P/N 68461928AA Clamp

16. Secure the band from clamp **P/N 68461928AA** to the round cradle and radiator support beam (Fig. 8) .

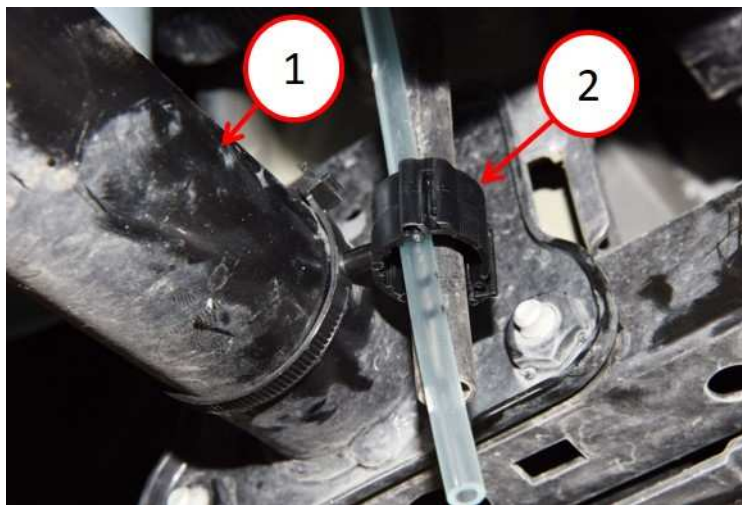


Fig. 8
Clamp on Radiator Support Beam

- 1 - P/N 68461928AA Banded Clamp On Pipe
2 - Support Beam
-

17. Lower the vehicle.
18. Close the hood.

PROCEDURE FOR VEHICLES WITH A BUILD DATE ON OR AFTER AUGUST 31, 2016 USING KIT P/N 68470653AA:

NOTE: Use MOPAR Instant Battery Cleaner to clean battery acid leaked onto any components.

1. Open the hood.
2. Remove the positive battery fuse and junction box cover (Fig. 9) by pressing both tabs and then lifting up on the cover.



Fig. 9
Battery Fuse and Junction Box Cover

3. Install new battery vent cap (plug) P/N 68476390AA on the positive side of the battery.
4. Install positive battery fuse and junction box cover on the battery.
5. Install new battery vent pipe P/N 68476284AA on the negative side of the battery (Fig. 10) .



Fig. 10
Negative Side Vent Pipe

CAUTION! Do not overtighten zip tie clamp to the vent pipes. Failure to do so may result in the pipes not venting properly.

6. Install zip tie clamp (Fig. 11) on the battery vent pipe and attach to battery tray bracket (Fig. 12) .



Fig. 11
Zip Tie Clamp



Fig. 12
Clamp Installed On Bracket

7. Remove and discard the existing pipe clamp and install clamp **P/N 68470618AA** (Fig. 13) on both of the pipes and attach to the sub frame support (Fig. 14) .



Fig. 13
P/N 68470618AA Clamp



Fig. 14
Clamp Installed On Support

8. Position both pipes downward pointing to the ground (Fig. 15) .

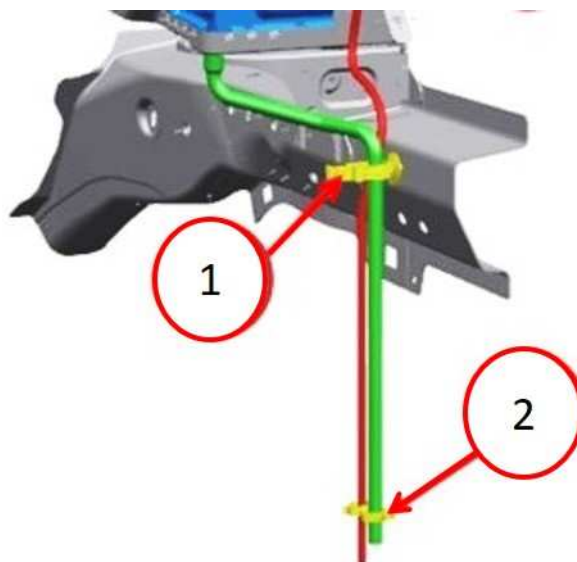


Fig. 15
New Battery Vent Pipe Routing and Clamps

- 1 - P/N 68470618AA Clamp
- 2 - P/N 68112893AA Clamp

-
9. Raise and support the vehicle. Refer to the detailed service procedures available in DealerCONNECT/Service Library under: Service Info>04 Vehicle Quick Reference/Hoisting/Standard Procedure.
10. Inspect the transmission valve body cover pan. Is it leaking transmission fluid?
- YES>>> Replace the valve body cover pan. Refer to the detailed service procedures available in DealerCONNECT/Service Library under: Service Info>21 - Transmission and Transfer Case/Automatic - 948TE/9HP48/Valve Body/Removal and Installation. Continue with the Repair Procedure. Proceed to [Step 11](#).
 - NO>>> Continue with the Repair Procedure. Proceed to [Step 11](#).

11. Install **P/N 68112893AA** clamp (Fig. 16) on both pipes between 20 - 30 mm (.78 - 1.18 in.) on the tray drain pipe and between 45 - 55 mm (1.77 - 2.16 in.) from the end of the battery drain pipe (Fig. 17) and (Fig. 18) .



Fig. 16
P/N 68112893AA Clamp

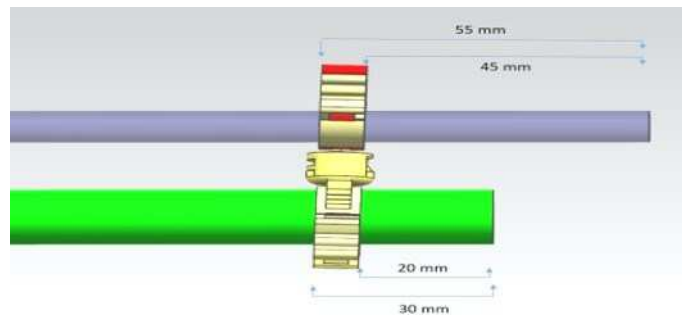


Fig. 17
P/N 68112893AA Clamp Measurement Locations



Fig. 18
Clamp Installed On Hoses

12. Lower the vehicle.
13. Close the hood.

POLICY:

Reimbursable within the provisions of the warranty.

TIME ALLOWANCE:

Labor Operation No:	Description	Skill Category	Amount
08-08-09-90	Hose - Battery Drain/Vent Kit Install (0 - Introduction)	6 - Electrical and Body Systems	0.2 Hrs.

RELATED LOP:

Labor Operation No:	Description	Skill Category	Amount
21-55-02-52	Pan, Oil Transmission - Replace (2 - Semi-Skilled)	6 - Electrical and Body Systems	1.6 Hrs.

FAILURE CODE:

ZZ	Service Action
----	----------------