

July 5, 2019

Version 1

MIL Comes On with DTC P0430 or DTC P0430 with P030X, P219A, P219B (With Software Update)

This bulletin replaces A17-036, *MIL Comes On with DTC P0430 (Front Bank Catalyst System Efficiency Below Threshold [Bank 2])*.

AFFECTED VEHICLES

Year	Model	Trim	VIN Range
2016	Pilot	ALL	ALL
2017	Pilot	2WD	5FNYP5...HB000001 thru 5FNYP5...HB028097
		AWD	5FNYP6...HB000001 thru 5FNYP6...HB058228
2017	Ridgeline	ALL	ALL
2018	Odyssey	ALL	5FNRL6...JB000001 thru 5FNRL6...JB014844

SYMPTOM

The MIL comes on with DTC P0430 (front bank catalyst system efficiency below threshold [bank 2]). Additionally, one or more of the following DTCs may be stored:

- P030X (misfire)
- P219A (air-fuel ratio variation of cylinder [bank 1, rear bank])
- P219B (air-fuel ratio variation of cylinder [bank 2, front bank])

PROBABLE CAUSE

The PCM software may misinterpret sensor inputs as a deteriorated catalytic converter. Additionally, debris from the fuel injector machining process or high pressure fuel pump can cause internal wear or clogging in the injector.

CUSTOMER INFORMATION: The information in this bulletin is intended for use only by skilled technicians who have the proper tools, equipment, and training to correctly and safely maintain your vehicle. These procedures should not be attempted by "do-it-yourselfers," and you should not assume this bulletin applies to your vehicle, or that your vehicle has the condition described. To determine whether this information applies, contact an authorized Honda automobile dealer.

CORRECTIVE ACTION

- **P0430 only:** Update software, and do the cylinder A/F test. If the test fails, replace the fuel injectors.

NOTE

The software could have been updated in a previous bulletin (17-036). If so, do the cylinder A/F test and replace the fuel injectors only if the test fails.

- **P0430 and any combination of P030X, P219A, or P219B:** Update the software, and replace the fuel injectors.

NOTE

The software could have been updated in a previous bulletin (17-036). If so, just replace the fuel injectors.

WARRANTY CLAIM INFORMATION

The normal warranty applies.

All Models: P0430 Only, A/F Test (Passed)

Operation Number	Description	Flat Rate Time	Defect Code	Symptom Code	Template ID	Failed Part Number
1105D3	Do the cylinder A/F test.	0.2 hr	03214	03203	A19072A	37805-RLV-315

Pilot: P0430 Only, A/F Test (Failed), Replace Injectors

Operation Number	Description	Flat Rate Time	Defect Code	Symptom Code	Template ID	Failed Part Number
1105D3	Do the cylinder A/F test.	0.2 hr	03214	03203	A19072B	37805-RLV-315
A	Replace the fuel injectors (Pilot).	2.5 hr				

Pilot: P0430 & P030X/P219A/P219B, Replace Injectors

Operation Number	Description	Flat Rate Time	Defect Code	Symptom Code	Template ID	Failed Part Number
121110	Replace the fuel injectors (Pilot).	2.5 hr	03214	03203	A19072C	37805-RLV-315

Pilot: P0430 Only, PGM-FI Software Update, A/F Test (Passed), 9-speed A/T (Good)

Operation Number	Description	Flat Rate Time	Defect Code	Symptom Code	Template ID	Failed Part Number
1255F8	Update the PGM-FI software.	0.2 hr	03214	03203	A19072D	37805-RLV-315
A	Do the cylinder A/F test.	0.1 hr				
C	Confirm 9-speed A/T software.	0.1 hr				

Pilot: P0430 Only, PGM-FI Software Update, A/F Test (Passed), 9-speed A/T (No Good)

Operation Number	Description	Flat Rate Time	Defect Code	Symptom Code	Template ID	Failed Part Number
1255F8	Update the PGM-FI software.	0.2 hr	03214	03203	A19072E	37805-RLV-315
A	Do the cylinder A/F test.	0.1 hr				
C	Confirm 9-speed A/T software.	0.1 hr				
D	Update the 9-speed A/T software.	0.1 hr				

Pilot: P0430 Only, PGM-FI Software Update, A/F Test (Failed), Replace Injectors, 9-speed A/T (Good)

Operation Number	Description	Flat Rate Time	Defect Code	Symptom Code	Template ID	Failed Part Number
1255F8	Update the PGM-FI software.	0.2 hr	03214	03203	A19072F	37805-RLV-315
A	Do the cylinder A/F test.	0.1 hr				
B	Replace the fuel injectors (Pilot).	2.5 hr				
C	Confirm 9-speed A/T software.	0.1 hr				

Pilot: P0430 Only, PGM-FI Software Update, A/F Test (Failed), Replace Injectors, 9-speed A/T (No Good)

Operation Number	Description	Flat Rate Time	Defect Code	Symptom Code	Template ID	Failed Part Number
1255F8	Update the PGM-FI software.	0.2 hr	03214	03203	19072G	37805-RLV-315
A	Do the cylinder A/F test.	0.1 hr				
B	Replace the fuel injectors (Pilot).	2.5 hr				
C	Confirm 9-speed A/T software.	0.1 hr				
D	Update the 9-speed A/T software.	0.1 hr				

Pilot: P0430 & P030X/P219A/P219B, PGM-FI Software Update, Replace Injectors, 9-speed A/T (Passed)

Operation Number	Description	Flat Rate Time	Defect Code	Symptom Code	Template ID	Failed Part Number
1255F8	Update the PGM-FI software.	0.2 hr	03214	03203	A19072H	37805-RLV-315
B	Replace the fuel injectors (Pilot).	2.5 hr				
C	Confirm 9-speed A/T software.	0.1 hr				

Pilot: P0430 & P030X/P219A/P219B, PGM-FI Software Update Replace Injectors, 9-speed A/T (No Good)

Operation Number	Description	Flat Rate Time	Defect Code	Symptom Code	Template ID	Failed Part Number
1255F8	Update the PGM-FI software.	0.2 hr	03214	03203	A19072J	37805-RLV-315
B	Replace the fuel injectors (Pilot).	2.5 hr				
C	Confirm 9-speed A/T software.	0.1 hr				
D	Update the 9-speed A/T software.	0.1 hr				

Ridgeline: P0430 Only, A/F Test (Failed), Replace Injectors

Operation Number	Description	Flat Rate Time	Defect Code	Symptom Code	Template ID	Failed Part Number
1105D3	Do the cylinder A/F test.	0.2 hr	03214	03203	A19072K	37805-RLV-315
A	Replace the fuel injectors (Ridgeline).	2.2 hr				

Ridgeline: P0430 & P030X/P219A/P219B, Replace Injectors

Operation Number	Description	Flat Rate Time	Defect Code	Symptom Code	Template ID	Failed Part Number
121110	Replace the fuel injectors (Ridgeline).	2.2 hr	03214	03203	A19072L	37805-RLV-315

Ridgeline: P0430 Only, PGM-FI Software Update, A/F Test (Passed)

Operation Number	Description	Flat Rate Time	Defect Code	Symptom Code	Template ID	Failed Part Number
1255F8	Update the PGM-FI software.	0.2 hr	03214	03203	A19072M	37805-RLV-315
A	Do the cylinder A/F test.	0.1 hr				

Ridgeline: P0430 Only, PGM-FI Software Update, A/F Test (Failed), Replace Injectors

Operation Number	Description	Flat Rate Time	Defect Code	Symptom Code	Template ID	Failed Part Number
1255F8	Update the PGM-FI software.	0.2 hr	03214	03203	A19072N	37805-RLV-315
A	Do the cylinder A/F test.	0.1 hr				
B	Replace the fuel injectors (Ridgeline).	2.2 hr				

Ridgeline: P0430 & P030X/P219A/P219B, PGM-FI Software Update, Replace Injectors

Operation Number	Description	Flat Rate Time	Defect Code	Symptom Code	Template ID	Failed Part Number
1255F8	Update the PGM-FI software.	0.2 hr	03214	03203	A19072P	37805-RLV-315
B	Replace the fuel injectors (Ridgeline).	2.2 hr				

Odyssey: P0430 Only, A/F Test (Failed), Replace Injectors

Operation Number	Description	Flat Rate Time	Defect Code	Symptom Code	Template ID	Failed Part Number
1105D3	Do the cylinder A/F test.	0.2 hr	03214	03203	A19072Q	37805-RLV-315
A	Replace the fuel injectors (Odyssey).	2.6 hr				

Odyssey: P0430 & P030X/P219A/P219B, Replace Injectors

Operation Number	Description	Flat Rate Time	Defect Code	Symptom Code	Template ID	Failed Part Number
121110	Replace the fuel injectors (Odyssey).	2.6 hr	03214	03203	A19072R	37805-RLV-315

Odyssey: P0430 Only, PGM-FI Software Update, A/F Test (Passed), 9-speed A/T (Good)

Operation Number	Description	Flat Rate Time	Defect Code	Symptom Code	Template ID	Failed Part Number
1255F8	Update the PGM-FI software.	0.2 hr	03214	03203	A19072S	37805-RLV-315
A	Do the cylinder A/F test.	0.1 hr				
C	Confirm 9-speed A/T software.	0.1 hr				

Odyssey: P0430 Only, PGM-FI Software Update, A/F Test (Passed), 9-speed A/T (No Good)

Operation Number	Description	Flat Rate Time	Defect Code	Symptom Code	Template ID	Failed Part Number
1255F8	Update the PGM-FI software.	0.2 hr	03214	03203	A19072T	37805-RLV-315
A	Do the cylinder A/F test.	0.1 hr				
C	Confirm 9-speed A/T software.	0.1 hr				
D	Update the 9-speed A/T software.	0.1 hr				

Odyssey: P0430 Only, PGM-FI Software Update, A/F Test (Failed), Replace Injectors, 9-speed A/T (Good)

Operation Number	Description	Flat Rate Time	Defect Code	Symptom Code	Template ID	Failed Part Number
1255F8	Update the PGM-FI software.	0.2 hr	03214	03203	A19072U	37805-RLV-315
A	Do the cylinder A/F test.	0.1 hr				
B	Replace the fuel injectors (Odyssey).	2.6 hr				
C	Confirm 9-speed A/T software.	0.1 hr				

Odyssey: P0430 Only, PGM-FI Software Update, A/F Test (Failed), Replace Injectors, 9-speed A/T (No Good)

Operation Number	Description	Flat Rate Time	Defect Code	Symptom Code	Template ID	Failed Part Number
1255F8	Update the PGM-FI software.	0.2 hr	03214	03203	A19072V	37805-RLV-315
A	Do the cylinder A/F test.	0.1 hr				
B	Replace the fuel injectors (Odyssey).	2.6 hr				
C	Confirm 9-speed A/T software.	0.1 hr				
D	Update the 9-speed A/T software.	0.1 hr				

Odyssey: P0430 & P030X/P219A/P219B, PGM-FI Software Update, Replace Injectors, 9-speed A/T (Good)

Operation Number	Description	Flat Rate Time	Defect Code	Symptom Code	Template ID	Failed Part Number
1255F8	Update the PGM-FI software.	0.2 hr	03214	03203	A19072W	37805-RLV-315
B	Replace the fuel injectors (Odyssey).	2.6 hr				
C	Confirm 9-speed A/T software.	0.1 hr				

Odyssey: P0430 & P030X/P219A/P219B, PGM-FI Software Update, Replace Injectors, 9-speed A/T (No Good)

Operation Number	Description	Flat Rate Time	Defect Code	Symptom Code	Template ID	Failed Part Number
1255F8	Update the PGM-FI software.	0.2 hr	03214	03203	A19072X	37805-RLV-315
B	Replace the fuel injectors (Odyssey).	2.6 hr				
C	Confirm 9-speed A/T software.	0.1 hr				
D	Update the 9-speed A/T software.	0.1 hr				

Skill Level: Repair Technician

PARTS INFORMATION

Part Name	Part Number	Quantity
Fuel Injector Set	16010-RLV-315	1
Fuel Joint Pipe Set	16012-R9P-315	1
Front Gasket	17055-R9P-A01	1
Rear Gasket	17065-R9P-A01	1
Intake Manifold Gasket	17101-RLV-A01	6
Throttle Body Gasket	17102-RLV-A01	1
EGR Seal	17103-RLV-A01	2
EGR Pipe Gasket A	18716-RB0-G01	1

SOFTWARE INFORMATION

NOTE

Unnecessary or incorrect repairs resulting from a failure to update the i-HDS are not covered under warranty.

i-HDS Software Version: **1.004.005 or later**

J2534 Rewrite Software Information:

- PC Application Version **1.1.0.2 or later**
- Database update **09-NOV-2017 or later**

Before beginning the repair, make sure that both the i-HDS and J2534 Rewrite software are updated as listed above.

Do only the update listed in this service bulletin.

You cannot apply the updates with the MVCI as a standalone tool. To update the software you must use the MVCI or the DST-i interface in conjunction with the J2534 Rewrite PC application on the i-HDS.

For more information about updating the i-HDS, the MVCI, and vehicle systems, refer to service bulletin 01-023, *Updating Control Units/Modules*.

Year/Model	Software System	Program ID (or later)	Program P/N (or later)
2016 Pilot LX 2WD	PGM-FI	LV3150	37805-RLV-315
2016 Pilot EX 2WD	PGM-FI		
2016 Pilot EX-L 2WD	PGM-FI		
2016 Pilot EX-L (NAVI) 2WD	PGM-FI		
2016 Pilot EX-L (RES) 2WD	PGM-FI		
2016 Pilot LX 4WD	PGM-FI	LV3160	37805-RLV-316
2016 Pilot EX 4WD	PGM-FI		
2016 Pilot EX-L 4WD	PGM-FI		
2016 Pilot EX-L (NAVI) 4WD	PGM-FI		
2016 Pilot EX-L (RES) 4WD	PGM-FI		
2016 Pilot EX (Sensing) 2WD	PGM-FI	LV3170	37805-RLV-317
2016 Pilot EX-L (Sensing) 2WD	PGM-FI		
2016 Pilot EX (Sensing) 4WD	PGM-FI	LV3180	37805-RLV-318
2016 Pilot EX-L (Sensing) 4WD	PGM-FI		
2016 Pilot *Touring (9A/T) 2WD	PGM-FI	LV4060	37805-RLV-406
2016 Pilot *Touring (9A/T) 4WD	PGM-FI	LV4070	37805-RLV-407
2016 Pilot *Elite (9A/T) 4WD	PGM-FI		

Year/Model	Software System	Program ID (or later)	Program P/N (or later)
2017 Pilot LX 2WD	PGM-FI	LVC030	37805-RLV-C03
2017 Pilot EX 2WD	PGM-FI		
2017 Pilot EX-L 2WD	PGM-FI		
2017 Pilot EX-L (NAVI) 2WD	PGM-FI		
2017 Pilot EX-L (RES) 2WD	PGM-FI		
2017 Pilot LX 4WD	PGM-FI	LVC130	37805-RLV-C13
2017 Pilot EX 4WD	PGM-FI		
2017 Pilot EX-L 4WD	PGM-FI		
2017 Pilot EX-L (NAVI) 4WD	PGM-FI		
2017 Pilot EX-L (RES) 4WD	PGM-FI		
2017 Pilot EX (Sensing) 2WD	PGM-FI	LVC230	37805-RLV-C23
2017 Pilot EX-L (Sensing) 2WD	PGM-FI		
2017 Pilot EX (Sensing) 4WD	PGM-FI	LVC330	37805-RLV-C33
2017 Pilot EX-L (Sensing) 4WD	PGM-FI		
2017 Pilot *Touring (9A/T) 2WD	PGM-FI	LVC430	37805-RLV-C43
2017 Pilot *Touring (9A/T) 4WD	PGM-FI	LVC530	37805-RLV-C53
2017 Pilot *Elite (9A/T) 4WD	PGM-FI		
2018 Odyssey *LX	PGM-FI	MRA040	37805-MRA-A04
2018 Odyssey *EX	PGM-FI	MRA250	37805-MRA-A25
2018 Odyssey *EX-L	PGM-FI		
2018 Odyssey *EX-L (NAVI, RES)	PGM-FI		
2018 Odyssey Touring	PGM-FI	MRA750	37805-MRA-A75
2018 Odyssey Elite	PGM-FI		
2017 Ridgeline RTL 4WD	PGM-FI	MJA560	37805-5MJ-A56
2017 Ridgeline RTL-T 4WD	PGM-FI		
2017 Ridgeline Sport 4WD	PGM-FI		
2017 Ridgeline Black 4WD	PGM-FI	MJA760	37805-5MJ-A76
2017 Ridgeline RTL-E 4WD	PGM-FI		

Year/Model	Software System	Program ID (or later)	Program P/N (or later)
2017 Ridgeline RT 2WD	PGM-FI	MJA060	37805-5MJ-A06
2017 Ridgeline RTL 2WD	PGM-FI		
2017 Ridgeline RTL-T 2WD	PGM-FI		
2017 Ridgeline Sport 2WD	PGM-FI		

*Confirm the 9-speed A/T software is up to date.

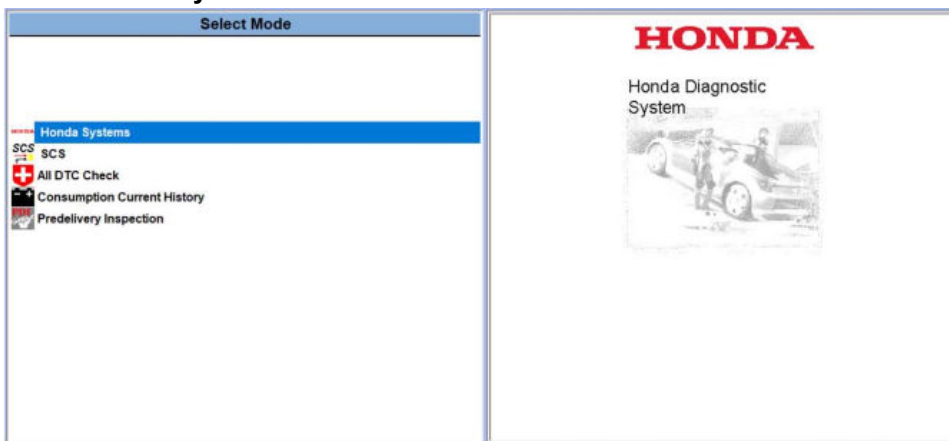
REPAIR PROCEDURE

Software Update

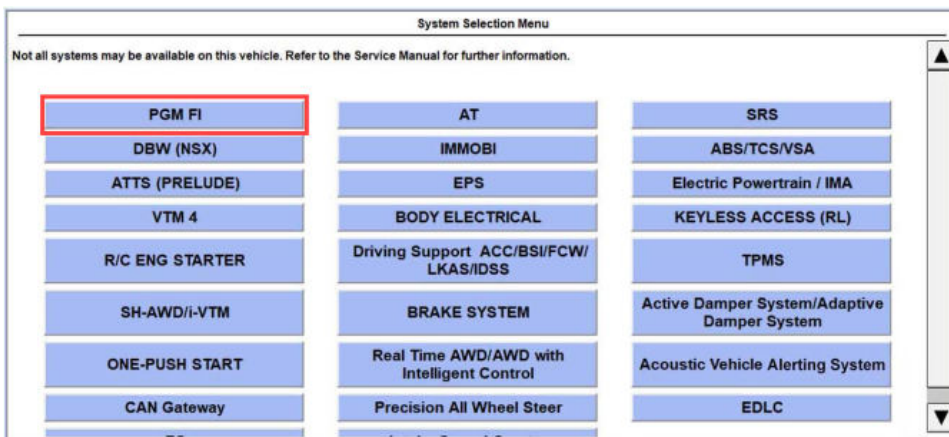
1. Update the PGM-FI software using the i-HDS J2534 rewrite software with the MVCI or DST-i. Refer to Service Bulletin 01-023, *Updating Control Units/Modules*.
2. If the model you are working on has a 9-speed A/T, make sure the TCU software is up to date. If it is not up to date, update it.

Cylinder A/F Test Procedure

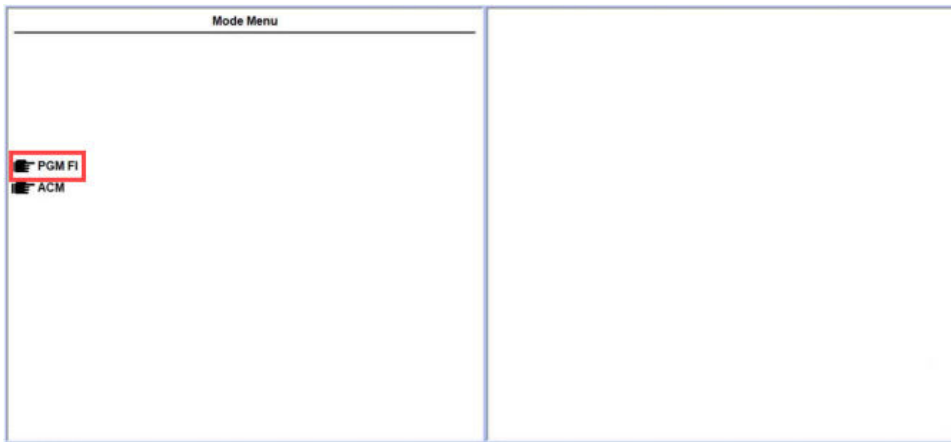
1. Select **Honda Systems**.



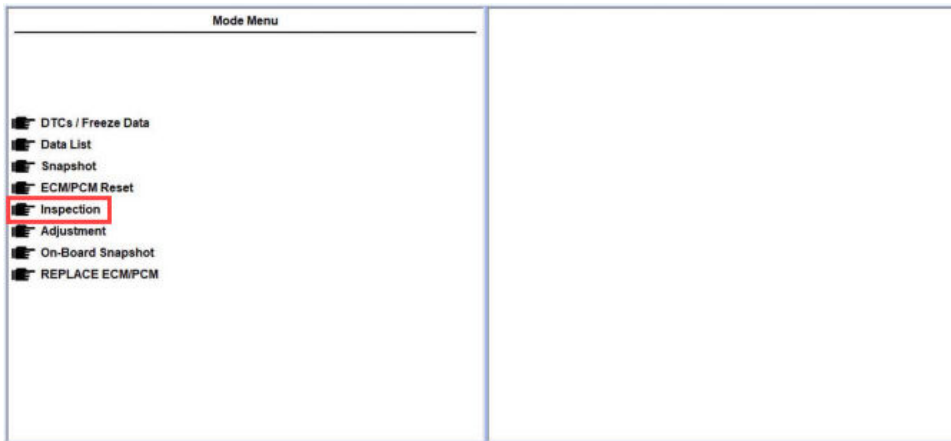
2. Select **PGM FI**.



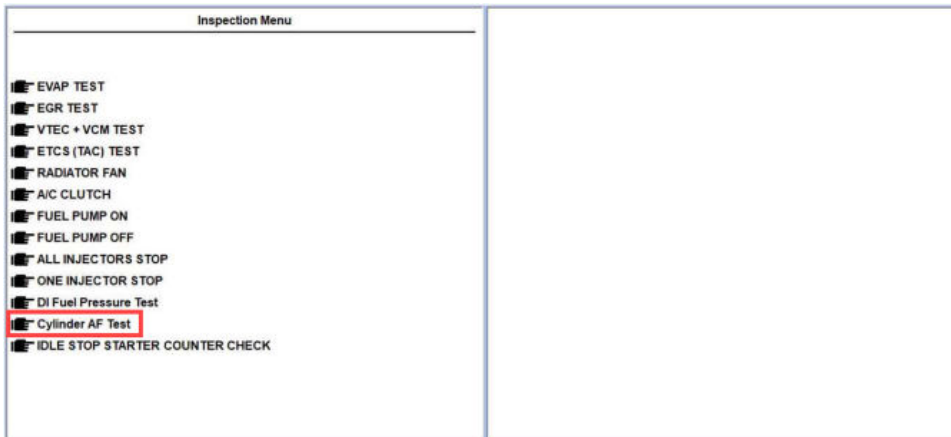
3. Select **PGM FI**.



4. Select **Inspection**.



5. Select **Cylinder AF Test**.



6. Make sure all cylinders pass.

Cylinder AF Test
Cylinder 1 - Pass
Cylinder 2 - Pass
Cylinder 3 - Pass
Cylinder 4 - Pass
Cylinder 5 - Pass
Cylinder 6 - Pass

Did all cylinders pass?

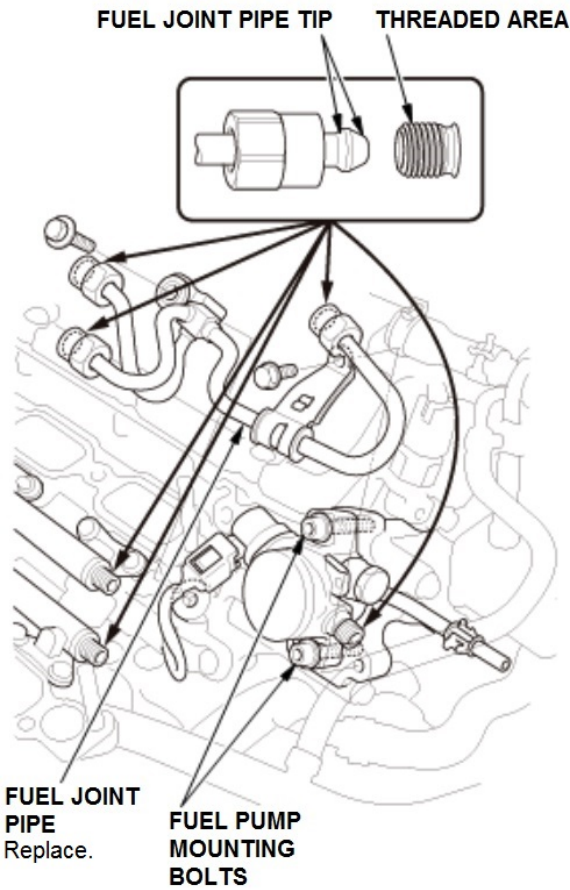
Yes - The repair is complete.

No - Go to Fuel Injector Replacement.

Fuel Injector Replacement

1. Remove the fuel injectors. Refer to the service information.
 - 1.1. Relieve the fuel pressure.
 - 1.2. Remove the intake manifold and intake manifold base.
 - 1.3. Remove the high pressure fuel pump cover.
 - 1.4. Remove the fuel rail cover.
 - 1.5. Remove the fuel joint pipe.
 - 1.6. Remove the fuel rail and injector.
 - 1.7. Remove the injectors from the fuel rail.

2. Install the parts in the reverse order of removal. Refer to the service information.
 - 2.1. Install the fuel injectors to the fuel rail.
 - 2.2. Install the fuel rail and fuel injectors to the cylinder head.
 - 2.3. Lubricate the tips of the new fuel joint pipe with polyethylene glycol (included in the fuel joint pipe kit).
 - 2.4. Also, lubricate the threaded areas of the fuel rails and high pressure fuel pump with polyethylene glycol.



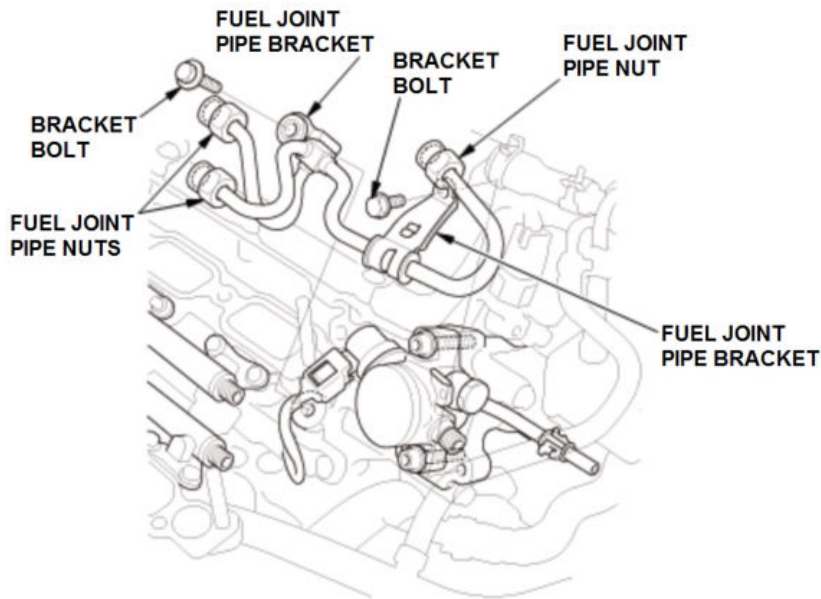
NOTICE

Do not reuse the fuel joint pipe. Failure to install a new fuel joint pipe will cause fuel leaks.

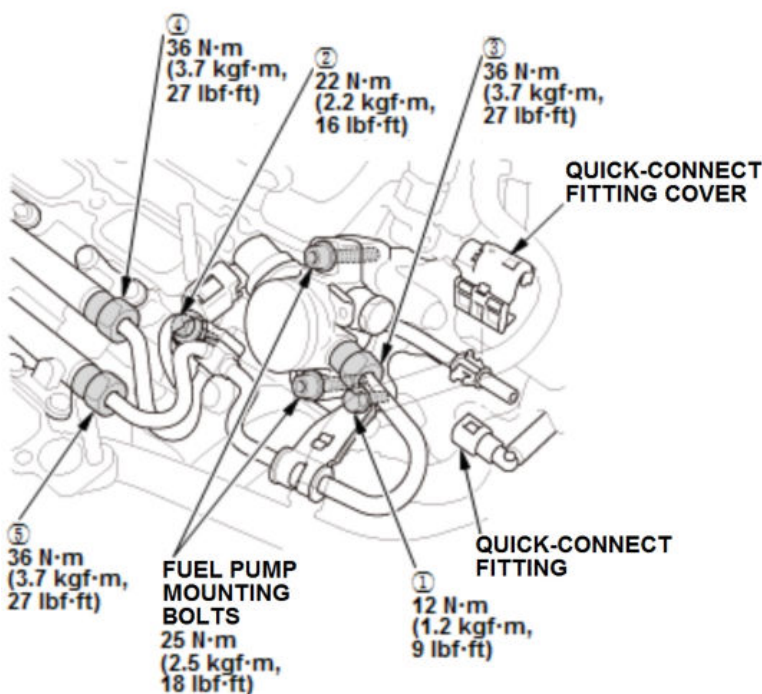
NOTE

Before you install the fuel joint pipe, loosen the fuel pump mounting bolts.

- 2.5. Tighten the fuel joint pipe nuts by hand until the tips of the fuel joint pipe are seated on the fuel rails and the high pressure fuel pump.



- 2.6. Loosely install the bracket bolts to secure the new fuel joint pipe to the cylinder head.
 2.7. Tighten the fuel pump mounting bolts to **25 N·m (18 lb-ft)**.



- 2.8. Tighten the fuel joint pipe bracket bolts to **12 N·m (9 lb-ft)** and **22 N·m (16 lb-ft)** as shown.
 2.9. Tighten the fuel joint pipe nuts to **36 N·m (27 lb-ft)** as shown.

NOTES

- A crowfoot-type tool increases the torque applied by the torque wrench. Refer to the procedure, Torque Specifications in the service information for details on how to recalculate the torque wrench setting.
- Failure to tighten the fuel joint pipe nuts to the proper torque will cause a fuel leak.

- 2.10. Connect the quick-connect fitting, and install the quick-connect fitting cover
- 2.11. Check for fuel leaks.
- 2.12. Install the fuel rail cover.
- 2.13. Install the high pressure fuel pump cover.
- 2.14. Install the intake manifold base and intake manifold.
3. Do an all DTC check, and clear DTCs from all systems.

END