

# 2020 GS F, GS300, GS350 Pre-Delivery Service (PDS)

**Service Category** General

**Section** Pre-Delivery Service

**Market** USA



YEAR(S)	MODEL(S)	ADDITIONAL INFORMATION
2020	GS F, GS300, GS350	

## Introduction

This bulletin contains the vehicle specific pre-delivery services for 2020 model year GS F, GS300, and GS350 vehicles. Additionally, refer to the applicable Pre-Delivery Service (PDS) Check Sheet for services to be performed.

## Warranty Information

OP CODE	DESCRIPTION	TIME	OFF	T1	T2
N/A	Not Applicable to Warranty	-	-	-	-

## Procedures

- Front License Plate and Mounting Bracket Installation ..... 2
- Front Wheel Opening Extension Pad Installation ..... 6
- D/C Cut Fuse Installation ..... 7

## 2020 GS F, GS300, GS350 Pre-Delivery Service (PDS)

### Front License Plate and Mounting Bracket Installation

The front license plate mounting bracket and self-tapping screws for the 2020 model year GS F, GS300, and GS350 are stored in the luggage compartment of the vehicle. During PDS, install the license plate and the mounting bracket.

**NOTE**

This bulletin has three different instructions based on the vehicle type and equipment. Please see specific instructions below for GS F, GS300, and GS350 vehicles (F Sport and Non-F Sport).

#### Installation Procedure for GS F

1. Locate the front license plate mounting bracket over the radiator grille.
2. Align holes "A" of the mounting bracket with the dimples on the front bumper cover.

**NOTICE**

Do NOT drill into the dimples on the front bumper cover.

**NOTE**

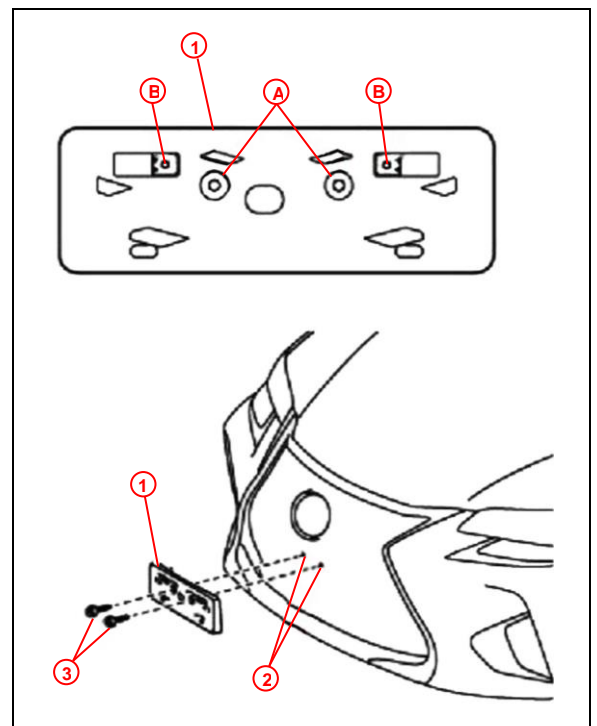
- Holes "A" are used to install the mounting bracket onto the bumper cover.
- Holes "B" are used to install the front license plate onto the mounting bracket.

3. Install the mounting bracket onto the front bumper cover using two self-tapping screws.

**NOTICE**

Do NOT overtighten the self-tapping screws.

Figure 1.



1	Mounting Bracket
2	Dimple
3	Self-tapping Screw

## 2020 GS F, GS300, GS350 Pre-Delivery Service (PDS)

### Front License Plate and Mounting Bracket Installation (continued)

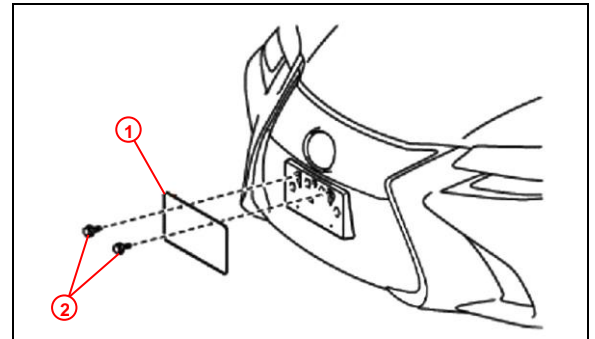
#### Installation Procedure for GS F (continued)

- Install the front license plate onto the mounting bracket using two bolts of noncorroding type with the following dimensions.

**Nominal Length: 15.0 mm (0.59 in.)**

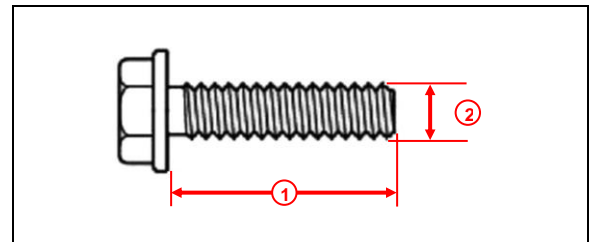
**Diameter: 6.0 mm (0.24 in.)**

**Figure 2.**



<b>1</b>	<b>Front License Plate</b>
<b>2</b>	<b>Bolt</b>

**Figure 3.**



<b>1</b>	<b>Nominal Length</b>
<b>2</b>	<b>Diameter</b>

## 2020 GS F, GS300, GS350 Pre-Delivery Service (PDS)

### Front License Plate and Mounting Bracket Installation (continued)

#### Installation Procedure for GS300 and GS350 (F Sport Package)

1. Locate the front license plate mounting bracket over the radiator grille.
2. Align holes "A" of the mounting bracket with the dimples on the front bumper cover.

**NOTICE**

Do NOT drill into the dimples on the front bumper cover.

**NOTE**

- Holes "A" are used to install the mounting bracket to the bumper cover.
- Holes "B" are used to install the front license plate to the mounting bracket.

3. Install the mounting bracket onto the front bumper cover using two self-tapping screws.

**NOTICE**

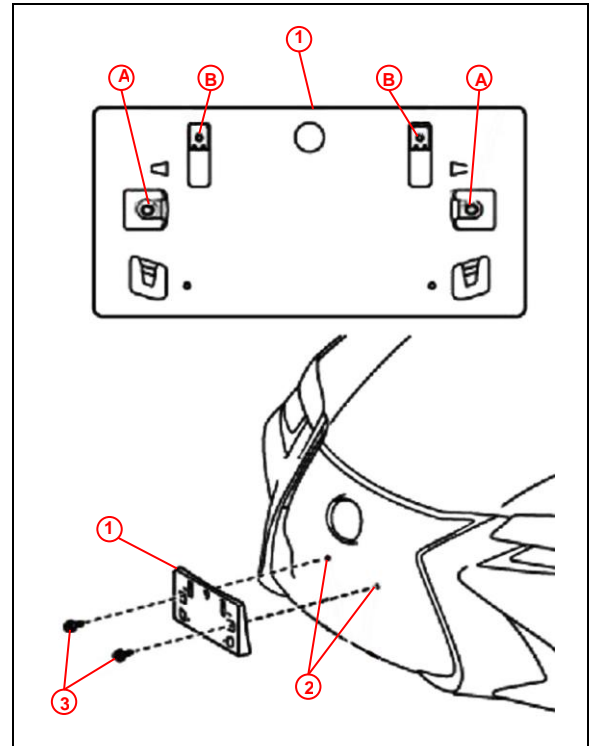
Do NOT overtighten the self-tapping screws.

4. Install the front license plate onto the mounting bracket using two bolts of noncorroding type with the following dimensions (as shown in Figure 3).

Nominal Length: 15.0 mm (0.59 in.)

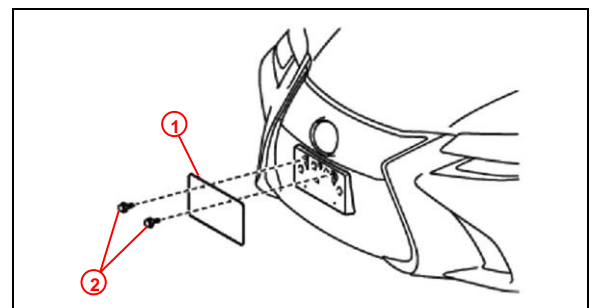
Diameter: 6.0 mm (0.24 in.)

Figure 4.



1	Mounting Bracket
2	Dimple
3	Self-tapping Screw

Figure 5.



1	Front License Plate
2	Bolt

## 2020 GS F, GS300, GS350 Pre-Delivery Service (PDS)

### Front License Plate and Mounting Bracket Installation (continued)

#### Installation Procedure for GS300 and GS350 (Non-F Sport Package)

1. Locate the front license plate mounting bracket over the radiator grille.
2. Align holes "A" of the mounting bracket with the dimples on the front bumper cover.

**NOTICE**

Do NOT drill into the dimples on the front bumper cover.

**NOTE**

- Holes "A" are used to install the mounting bracket to the bumper cover.
- Holes "B" are used to install the front license plate to the mounting bracket.

3. Install the mounting bracket onto the front bumper cover using four self-tapping screws.

**NOTICE**

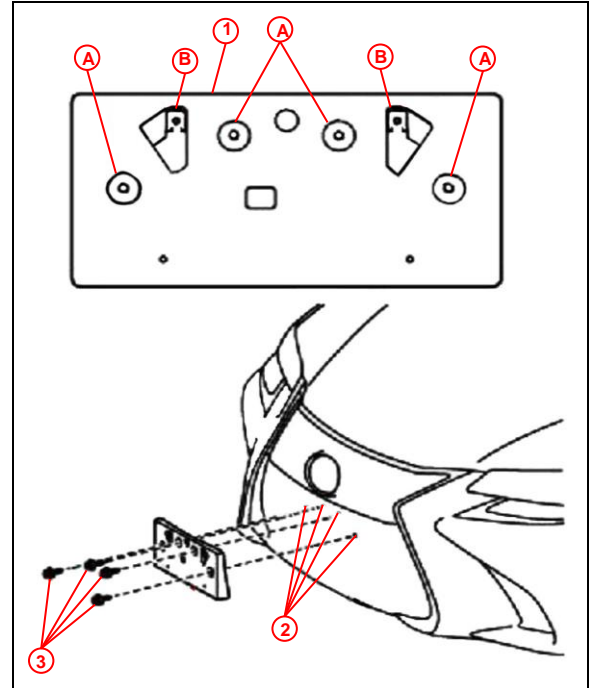
Do NOT overtighten the self-tapping screws.

4. Install the front license plate onto the mounting bracket using two bolts of noncorroding type with the following dimensions (as shown in Figure 3).

Nominal Length: 15.0 mm (0.59 in.)

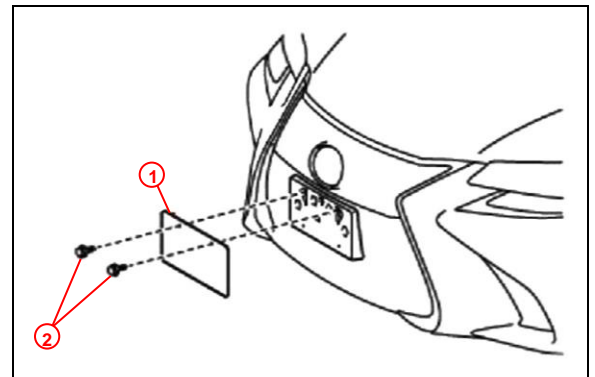
Diameter: 6.0 mm (0.24 in.)

Figure 6.



1	Mounting Bracket
2	Dimple
3	Self-tapping Screw

Figure 7.



1	Front License Plate
2	Bolt

## 2020 GS F, GS300, GS350 Pre-Delivery Service (PDS)

### Front Wheel Opening Extension Pad Installation

The front wheel opening extension pad set (right and left front wheel opening extension pads and self-tapping screws) is placed in the luggage compartment at the assembly plant to avoid damage in transit.

Install the front wheel opening extension pads to the vehicle before delivery to the customer.

#### Installation Procedure for GS300 and GS350

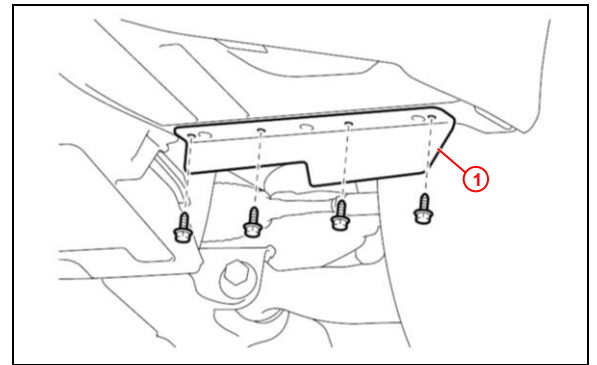
1. Install the left front wheel opening extension pad in position with four self-tapping screws.

**HINT**

There is a distinguishable mark on each pad indicating the left and right pad.

2. Install the right front wheel opening extension pad in the same manner as the left.

**Figure 8.**



**1** Front Wheel Opening Extension Pad

#### Installation Procedure for GS F

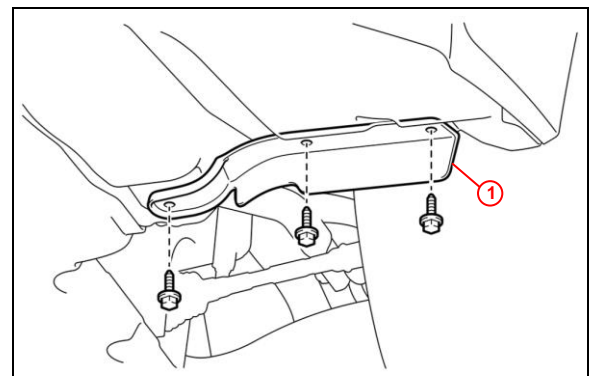
1. Install the left front wheel opening extension pad in position with three self-tapping screws.

**HINT**

There is a distinguishable mark on each pad indicating the left and right pad.

2. Install the right front wheel opening extension pad in the same manner as the left.

**Figure 9.**



**1** Front Wheel Opening Extension Pad

## 2020 GS F, GS300, GS350 Pre-Delivery Service (PDS)

### D/C Cut Fuse Installation

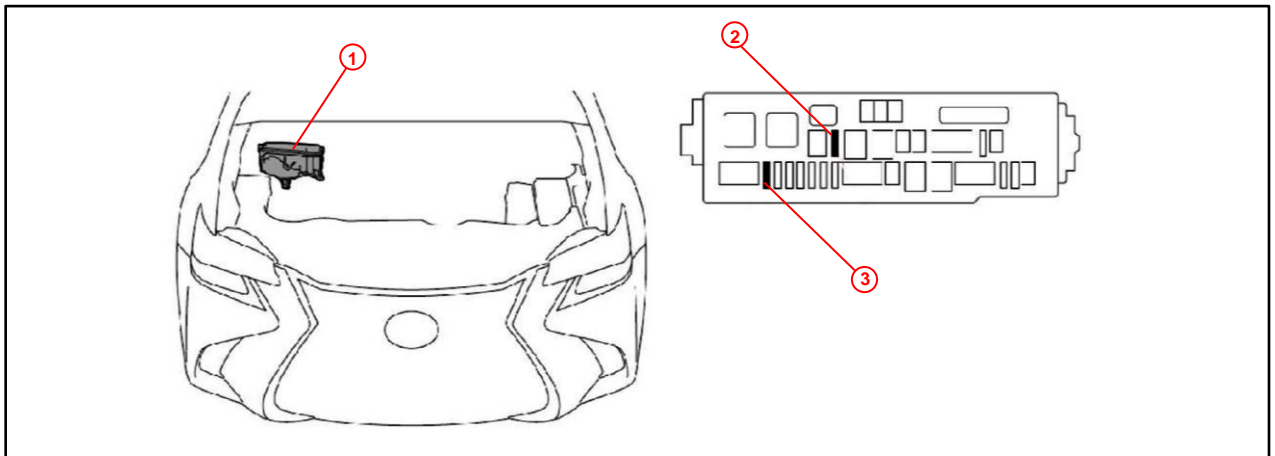
To minimize battery discharge during transportation and storage, the D/C cut fuse (30A) has been removed at the assembly plant and temporarily stored in the engine compartment relay block.

During PDS, reinstall the D/C cut fuse (30A) into its original location and clear ALL related Diagnostic Trouble Codes (DTCs).

### Installation Procedure

Remove the D/C cut fuse (30A) from the blank space of the relay block in the engine compartment and install it in the original location.

Figure 10.



1	Relay Block
2	Remove This D/C Cut Fuse (30A)

3	Install D/C Cut Fuse (30A) Here (Original Location)
---	---

### NOTE

While the vehicle is stored at the dealership, disconnect the negative (-) battery terminal to prevent battery discharge. Refer to Service Bulletin No. [L-SB-0010-19](#), *Battery Maintenance During PDS*, for battery maintenance information.