



Bulletin No.: PIT5689
Published date: 06/4/2019

Preliminary Information

PIT5689 No Restart after an Auto Stop Event

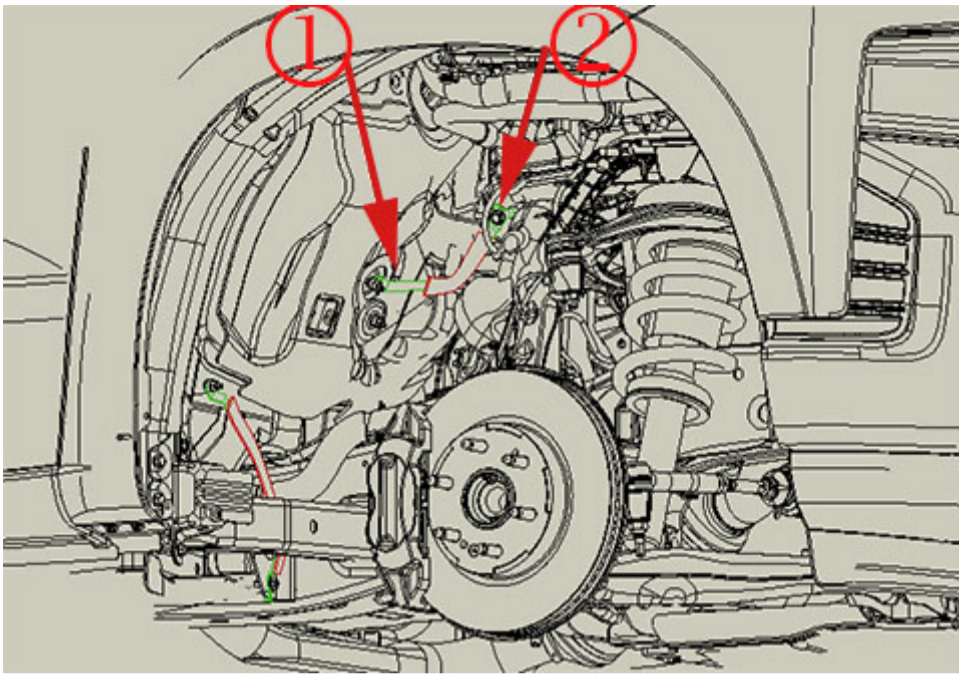
Product Investigation Review Required

Models

Brand:	Model:	Model Years:	VIN:		Engine:	Transmissions:
			from	to		
Chevrolet	Silverado 1500 (New Model)	2019	All	All	L84 L87	All
GMC	Sierra 1500 (New Model)	2019	All	All	L84 L87	All

Involved Region or Country	North America
Additional Options (RPO)	L84 or L87
Condition	Some customers may comment that after an auto-stop event the engine does not restart.
Cause	This concern could be caused by a broken engine ground strap, which grounds the engine (2) to the body (1), as shown below.





- 1 - G132
- 2 - G134

Correction:

Replace the engine ground strap and confirm that the strap is properly orientated to prevent damage to the strap caused by powertrain movement.

Warranty Information

For vehicles repaired under the Bumper-to-Bumper coverage (Canada Base Warranty coverage), use the following labor operation. Reference the Applicable Warranties section of Investigate Vehicle History (IVH) for coverage information.

Labor Operation	Description	Labor Time
4041080	Engine Ground Cable Replacement	Use Published Time

Version History

Version	1
Modified	06/04/2019 - Created on

