



Technical Journal

TITLE:

Water intrusion from sealing to climate unit in plenum area

REF NO: TJ 32040.2.1	ISSUING DEPARTMENT: Technical Service	CAR MARKET: United States and Canada	
PARTNER: 3 US 7510 Volvo Car USA		ISSUE DATE: 2019-05-14	STATUS DATE: 2019-05-20
FUNC GROUP: 8700	FUNC DESC: Air conditioning unit	Page 1 of 22	

“Right first time in Time”

Attachment

File Name	File Size
TJI-497457-2_1_2_en-US.pdf	4.2124 MB
TJI-497457-3_1_2_en-US.pdf	4.5598 MB

Vehicle Type

Type	Eng	Eng Desc	Sales	Body	Gear	Steer	Model Year	Plant	Chassis range	Struc Week Range
234							2017-2017		0000350-0009837	201617-201642
256							2016-2017		0000561-0144278	201505-201642

CSC Customer Symptom Codes

Code	Description
R7	Body frame/Other water leaks (sealing issues only)
A2	Climate control system/Unusual odor

VST Operation Number

VST Operation Number	Description
99400-2	General reimbursement acc. to TJ/QB
36050-2	Calibrating/Identifying with VIDA
97174-2	Air intake housing, adjust acc. to TJ32040



DTC Diagnostic Trouble Codes

Rows beginning with * are modified

Note! If using a printed copy of this Technical Journal, first check for the latest online version.

Text

DESCRIPTION:

*Title edited to improve search function

Water seepage from sealing to Climate unit in plenum area.

SERVICE:

Add new sealing on the HWAS box (Humidity Water Air Separator) and secure assembly of the box according to attached instruction.

VEHICLE REPORT:

Yes, please submit a Vehicle Report if the service solution described in this TJ has no effect. Use concern area "Vehicle Report" and sub concern area "Support not needed", use function group 8700.

To view TJ attachment continue to next page. This TJ has two attachments.



Volvo Car Customer Service

TJ Instruction VCC-497457-2

Title	Air inlet housing	Page	1 (10)
Action	Adjustment	Operation number:	99400-2 97174-2 36050-2

Issue	Date	Reason
1	2016-10	First issue

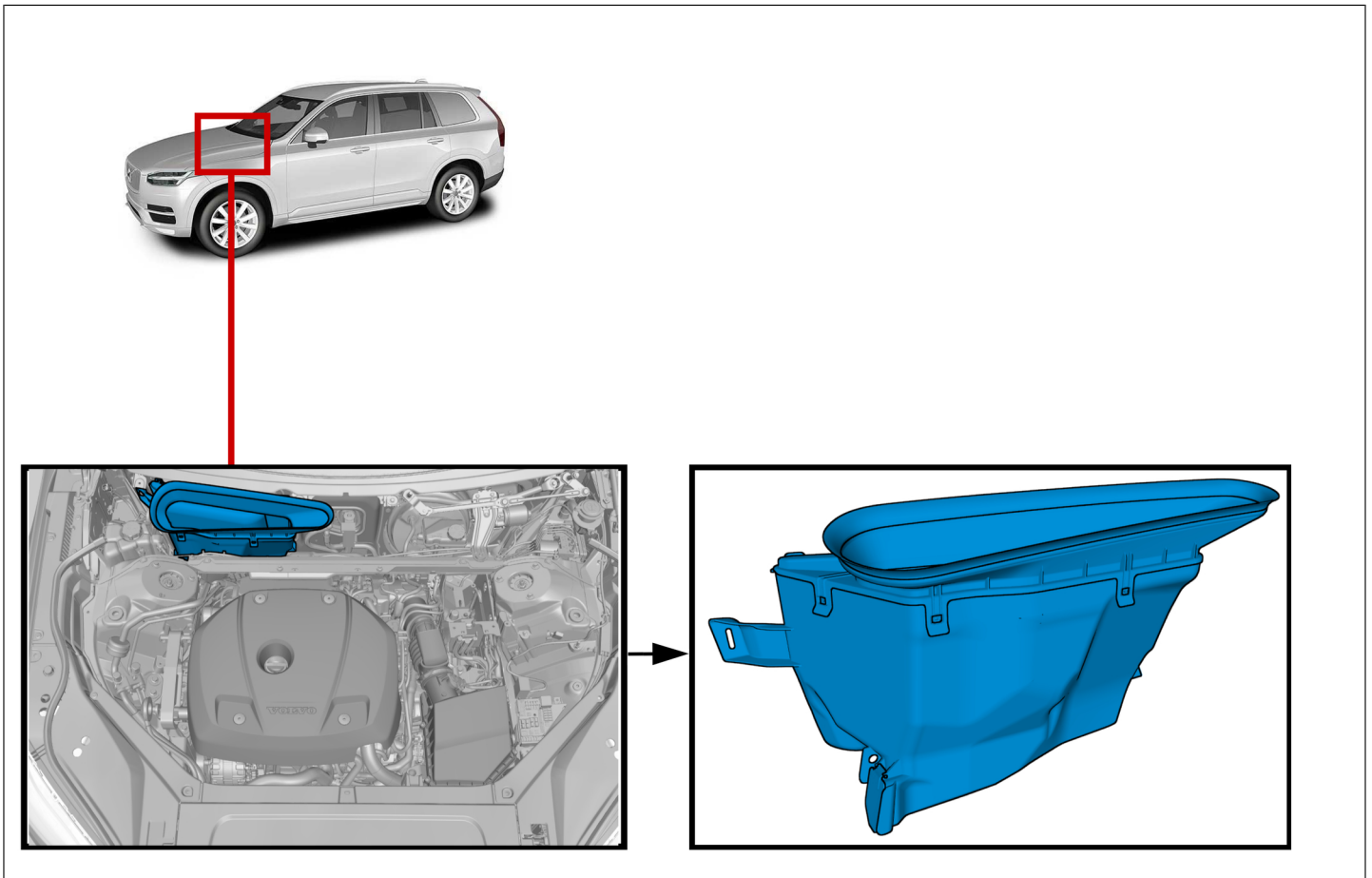
Affected vehicles

Model year	Model
2016, 2017	XC90 (16-)

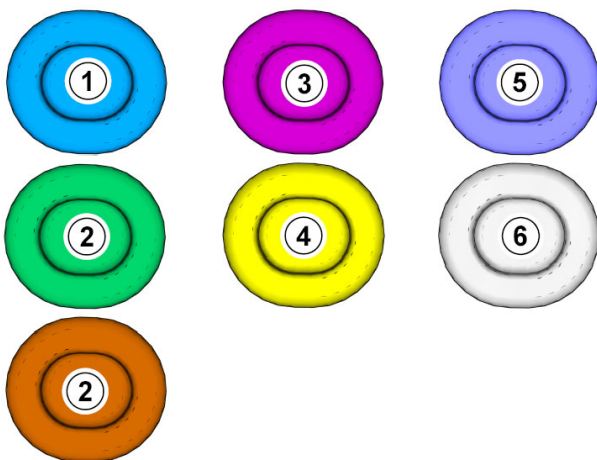
Materials

Materials	Qty.	Part No.	Notes
Isopropanol	0.02	1161721	CLEANING;
Sealing	1.0	31694105	SEAL - LHD / RHD;

Orientation view



Color symbols

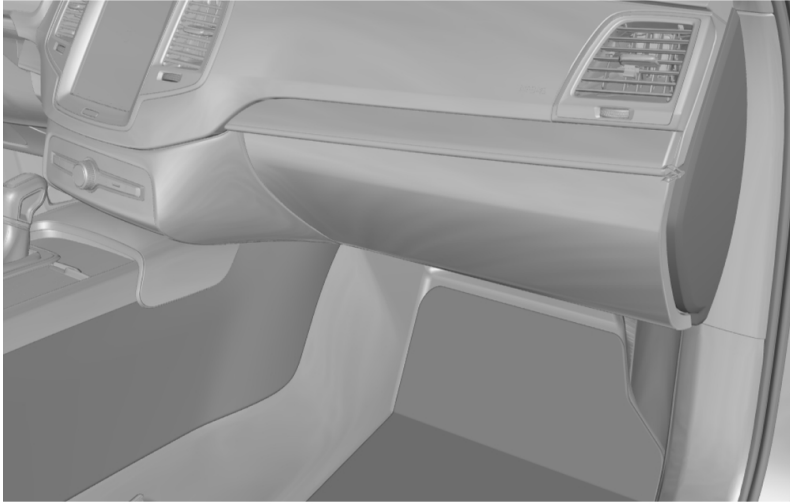


Note! This colour chart displays (in colour print and electronic version) the importance of the different colours used in the images of the method steps.

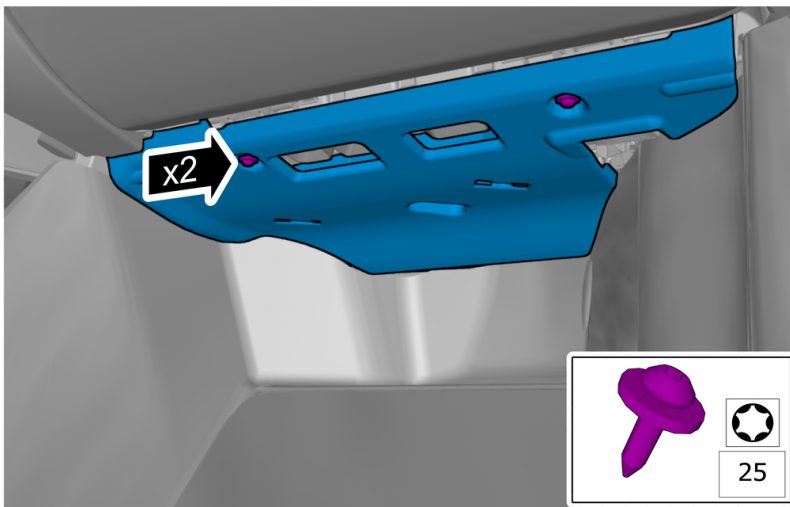
- 1 . Used for focused component, the component with which you will do something.
- 2 . Used as extra colors when you need to show or differentiate additional parts.
- 3 . Used for attachments that are to be removed/installed. May be screws, clips, connectors, etc.
- 4 . Used when the component is not fully removed from the vehicle but only hung to the side.
- 5 . Used for standard tools and special tools.
- 6 . Used as background color for vehicle components.

Check

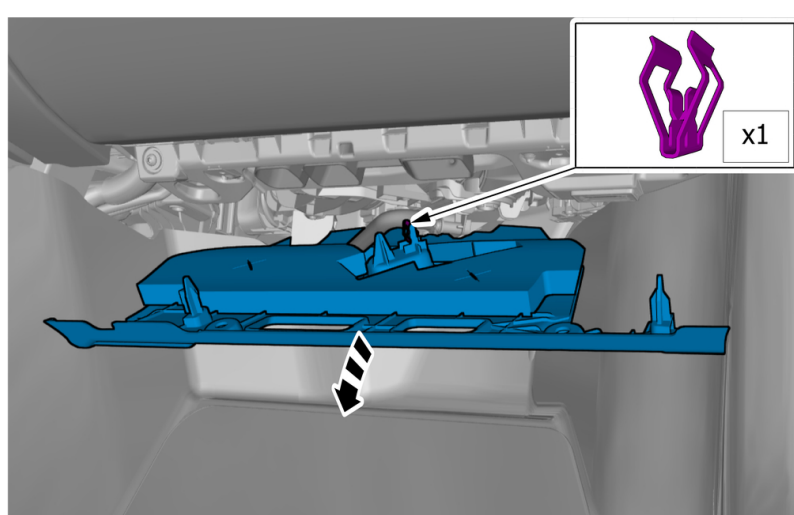
Applies to the passenger side



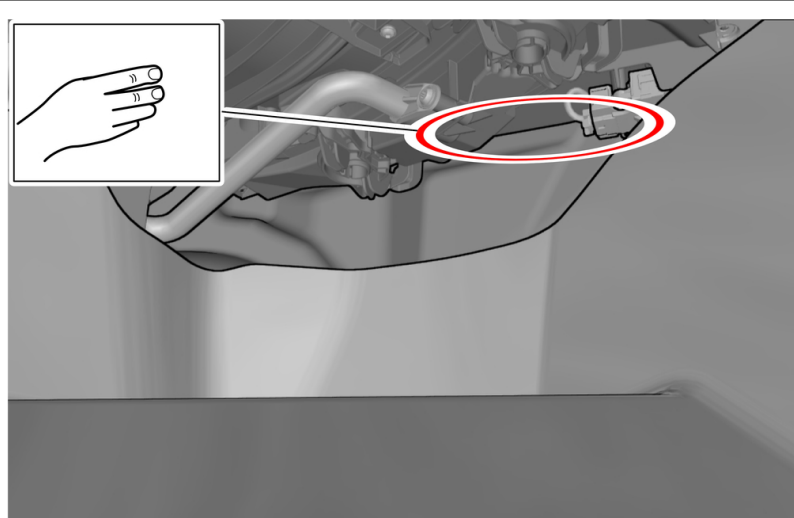
Note! Orientation view



Remove the screws.



Remove the part carefully
Remove the panel.



Note! Check for moisture in the area indicated.

Reach with your hand behind the fan housing and check for moisture between the insulating mat foam and the body wall.

If no faults are detected, to install, reverse the removal procedure.

All vehicles

Removal

Remove the cowl panel cover , refer to:
Removal, replacement and installation
8 - Body and interior
82 - Bonnet (Hood), front end, wings, door sill
823 - radiator grille

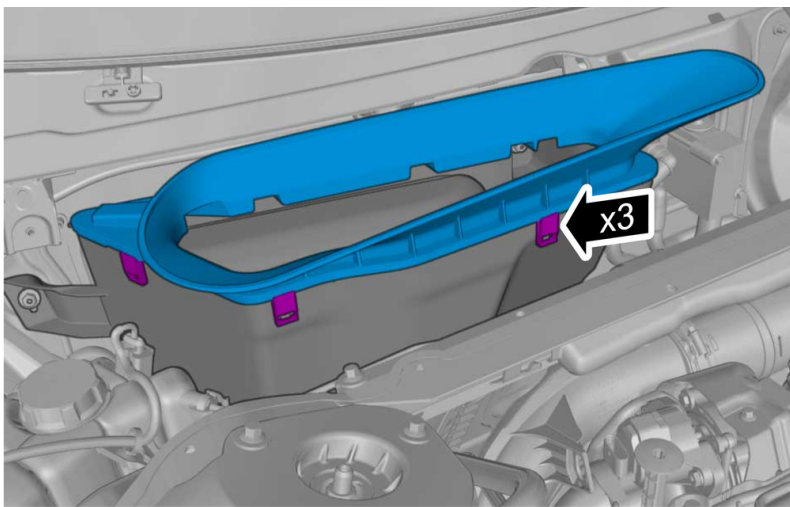
Set the vehicle to Active mode, described in user mode , refer to:

- General Information
- 3 - Electrical system
- 30 - General
- 300 - general

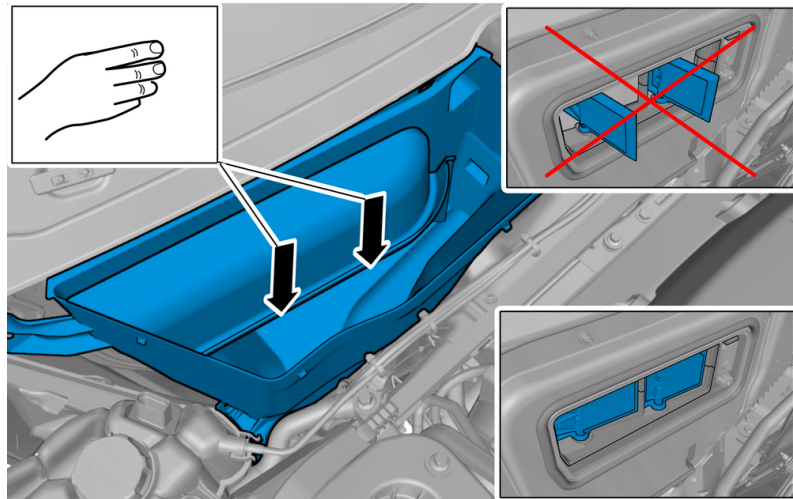
Activate service position according to:
Diagnostics / Components / Control modules/
Climate Control Module (CCM) / Diagnostic
sequences / Service position of damper motors

Set the vehicle to Inactive mode, described in user mode , refer to:

- General Information
- 3 - Electrical system
- 30 - General
- 300 - general

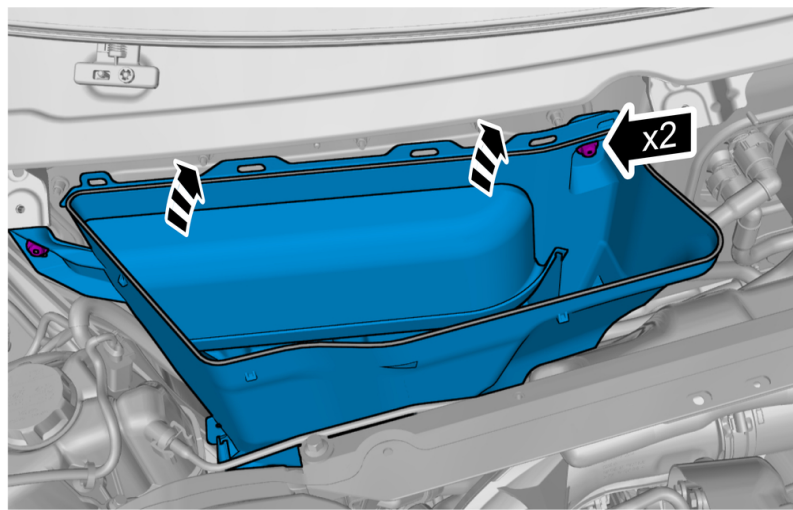


Release the catches.
Remove the part carefully
Remove the marked part.



Caution! Make sure that the flaps have reached service position (closed).

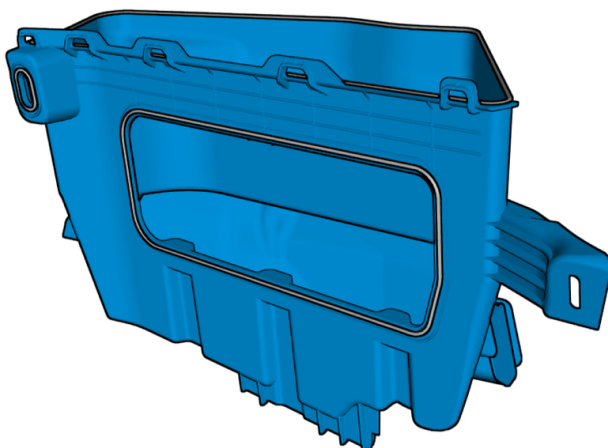
Check with your hand that the flaps have closed. If not, run the script for Service position. Do not force the flaps closed by hand!



Remove the nuts.

Remove the part carefully

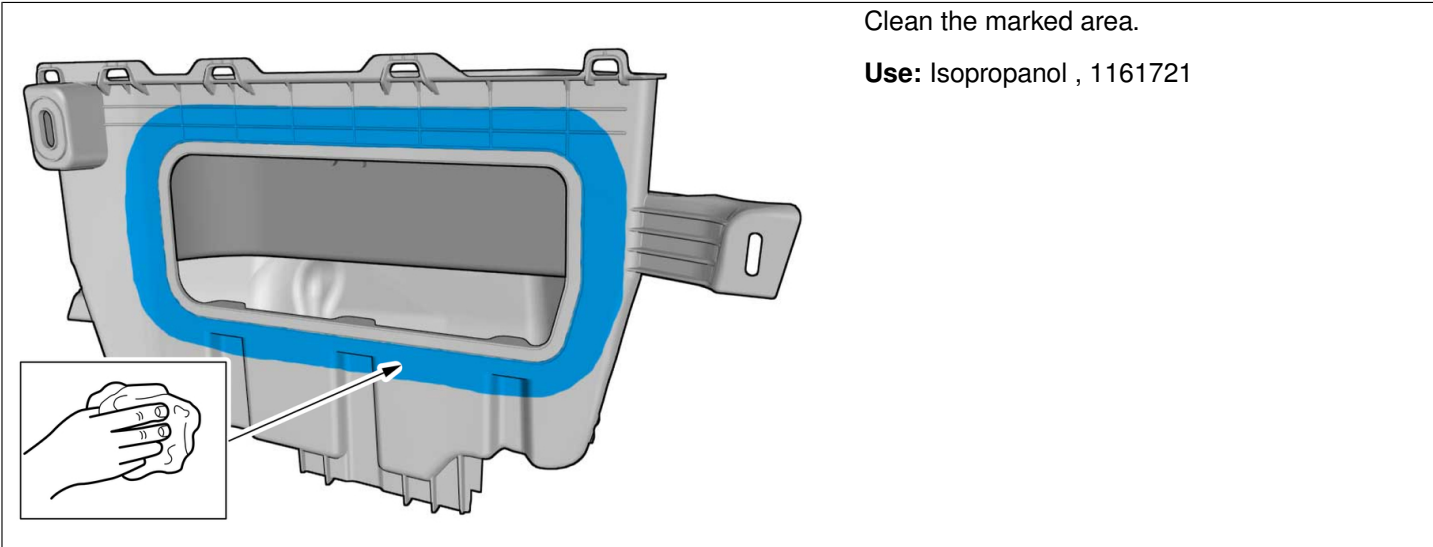
Remove the marked part.



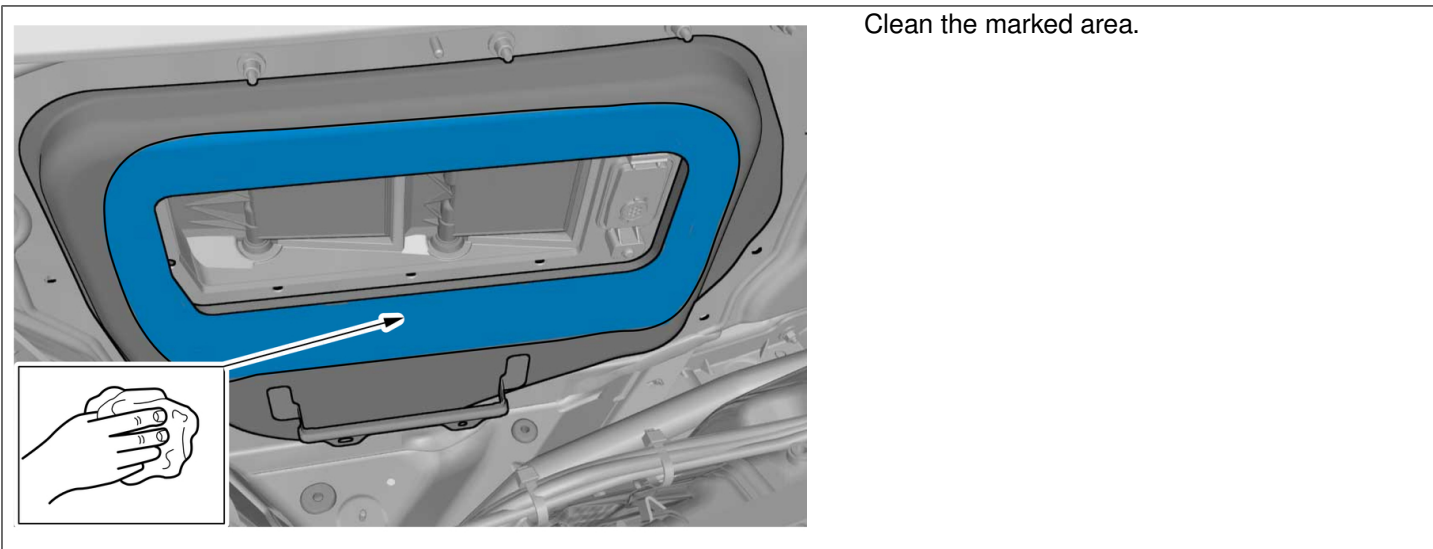
Cleaning

Clean the marked area.

Use: Isopropanol , 1161721

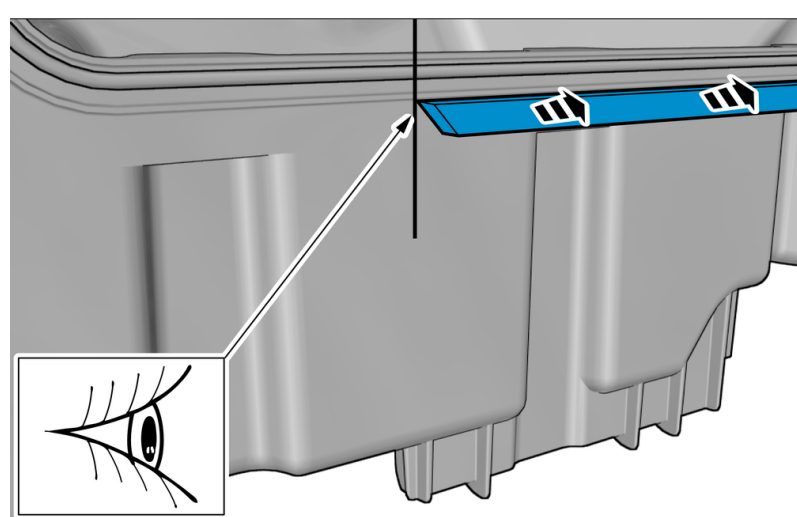


Clean the marked area.

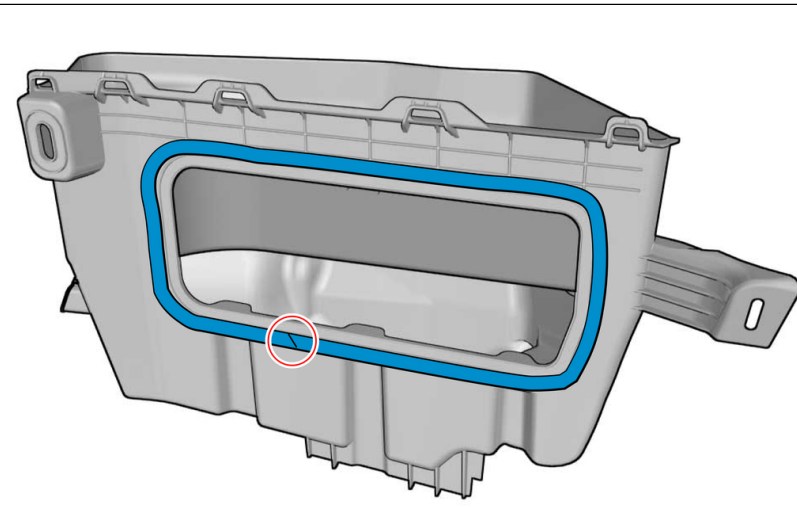


Adjustment

Left hand drive vehicles



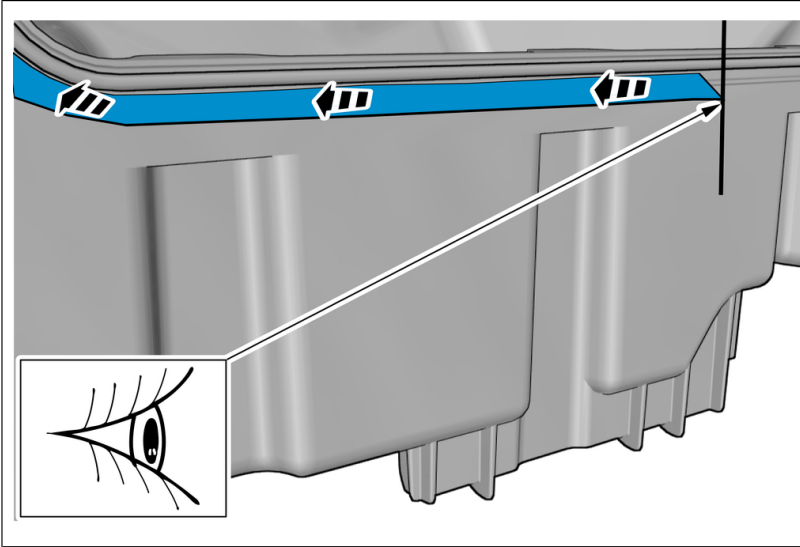
Install the marked component.



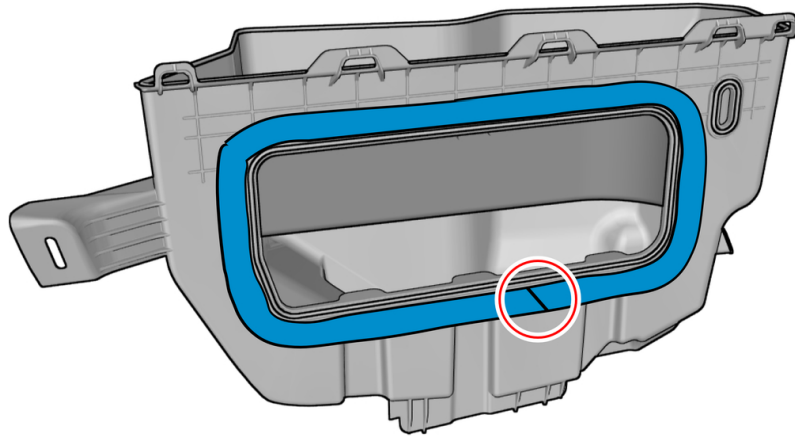
Note! Make sure that the seal is correctly located.

Make sure to place the joint where indicated in the graphic.

Right-hand drive vehicles



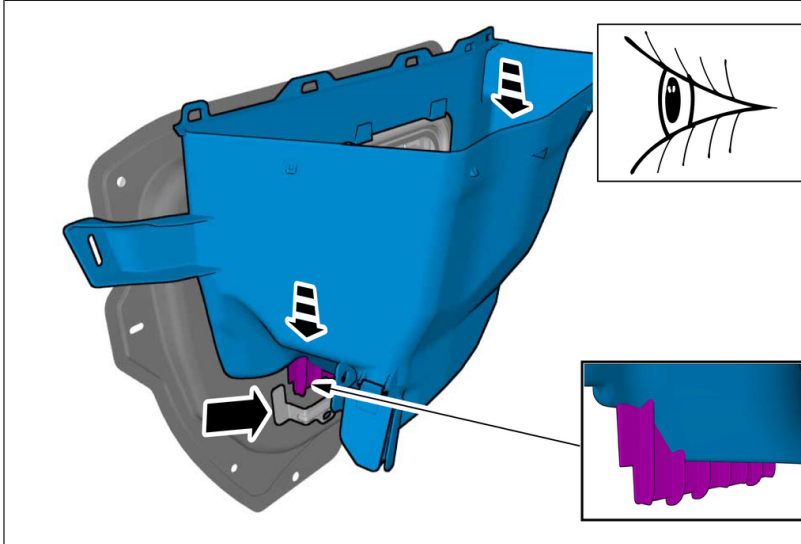
Install the marked component.



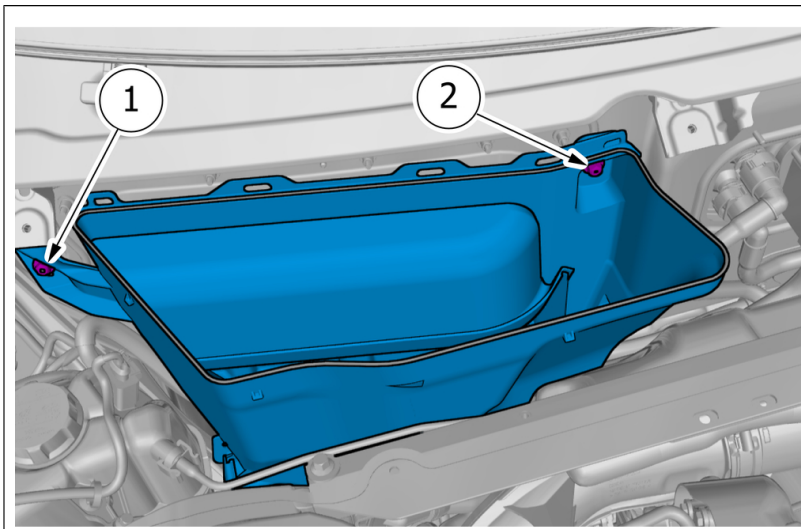
Note! Make sure that the seal is correctly located.

Make sure to place the joint where indicated in the graphic.

All vehicles

Installation

Caution! Make sure that the component is positioned correctly.



Note! Make sure to follow the sequence indicated.

Install the nuts

Torque:

Air inlet housing, to Body , 3 Nm

To install, reverse the removal procedure.



Volvo Car Customer Service

TJ Instruction VCC-497457-3

Title	Air inlet housing	Page	1 (10)
Action	Adjustment	Operation number:	36050-2 97174-2 99400-2

Issue	Date	Reason
1	2016-10	First issue

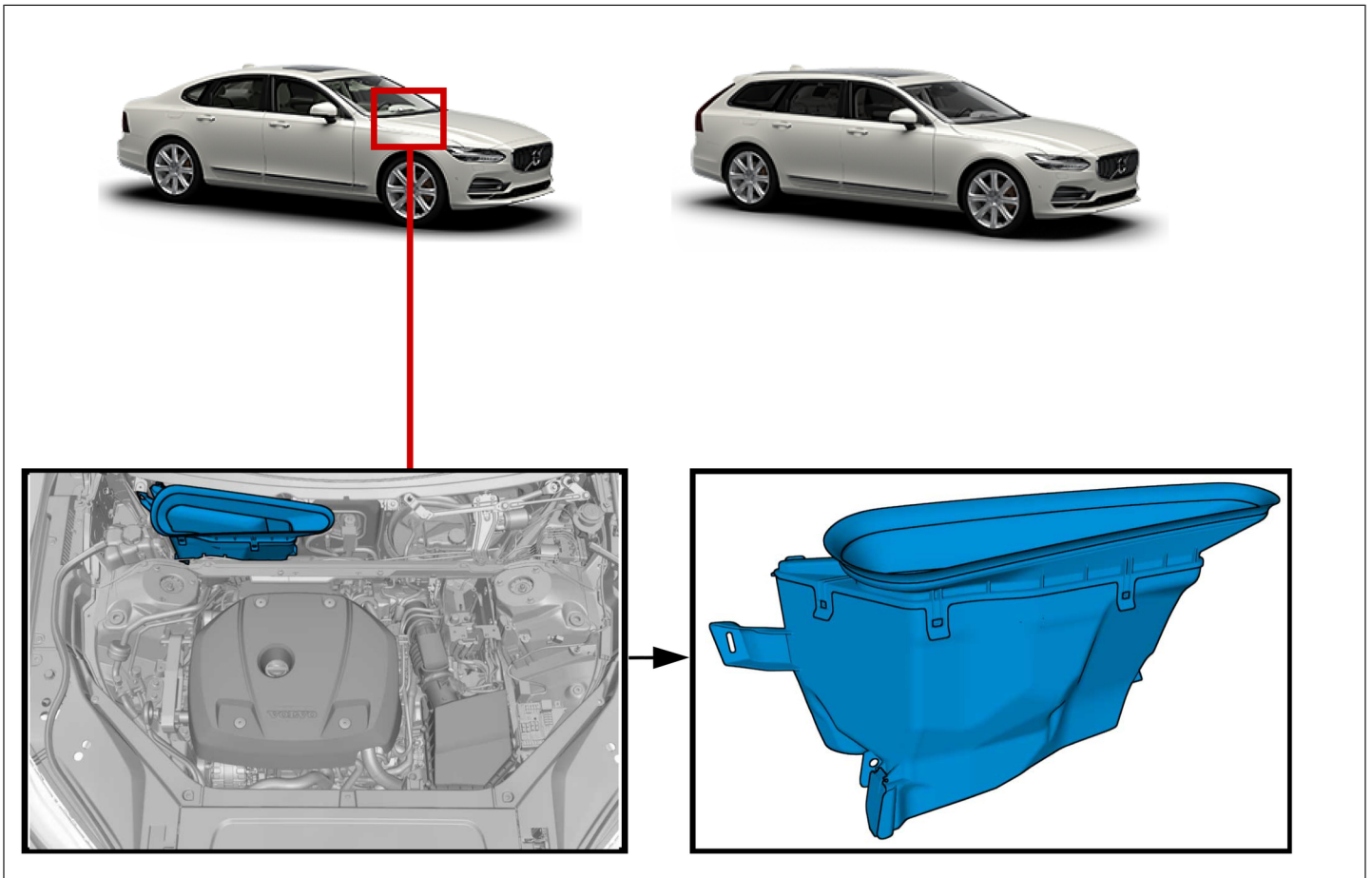
Affected vehicles

Model year	Model
2017	S90 (17-)

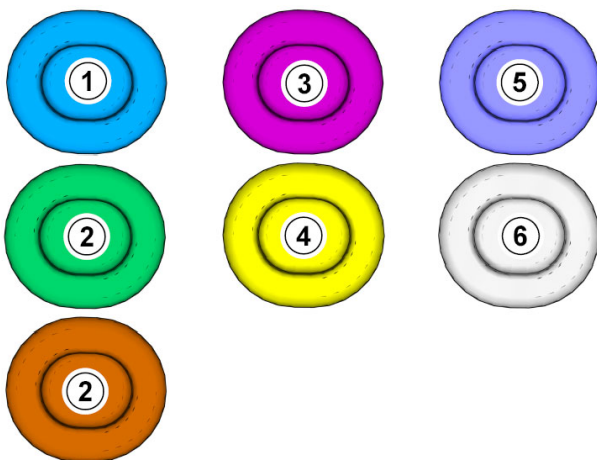
Materials

Materials	Qty.	Part No.	Notes
Isopropanol	0.02	1161721	CLEANING;
Sealing	1.0	31694118	SEAL - LHD / RHD;

Orientation view



Color symbols

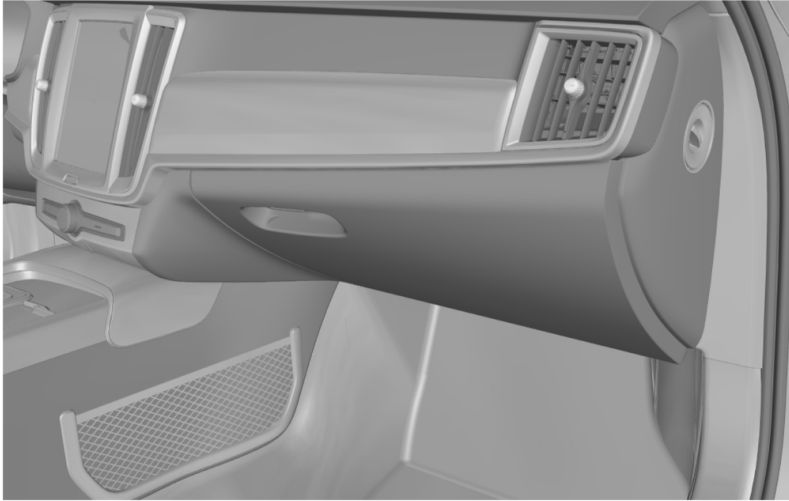


Note! This colour chart displays (in colour print and electronic version) the importance of the different colours used in the images of the method steps.

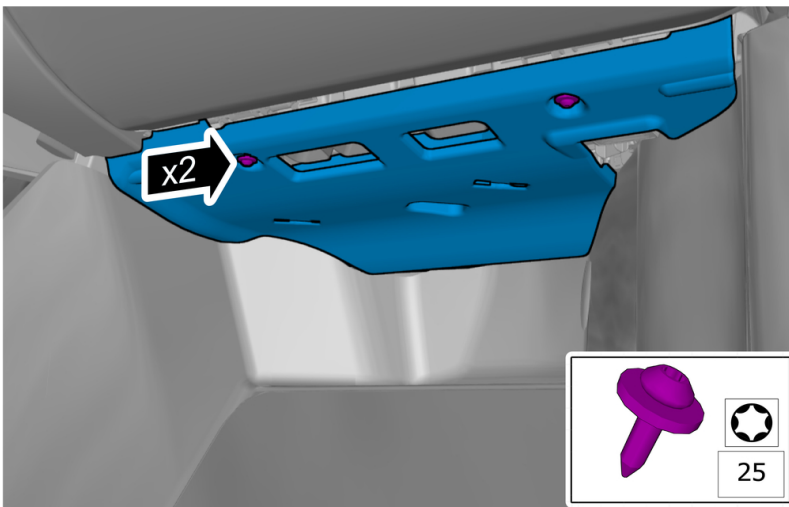
- 1 . Used for focused component, the component with which you will do something.
- 2 . Used as extra colors when you need to show or differentiate additional parts.
- 3 . Used for attachments that are to be removed/installed. May be screws, clips, connectors, etc.
- 4 . Used when the component is not fully removed from the vehicle but only hung to the side.
- 5 . Used for standard tools and special tools.
- 6 . Used as background color for vehicle components.

Check

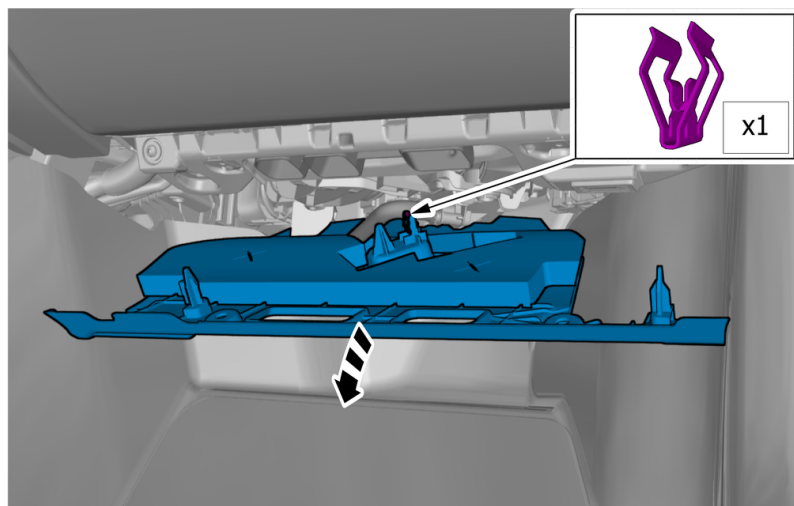
Applies to the passenger side



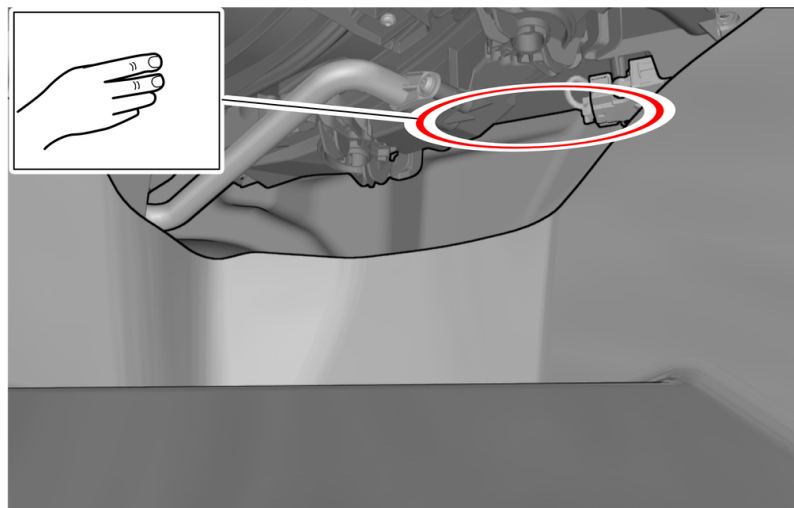
Note! Orientation view



Remove the screws.



Remove the part carefully
Remove the panel.



Note! Check for moisture in the area indicated.

Reach with your hand behind the fan housing and check for moisture between the insulating mat foam and the body wall.

If no faults are detected, to install, reverse the removal procedure.

All vehicles

Removal

Remove the cowl panel cover , refer to:
Removal, replacement and installation
8 - Body and interior
82 - Bonnet (Hood), front end, wings, door sill
823 - radiator grille

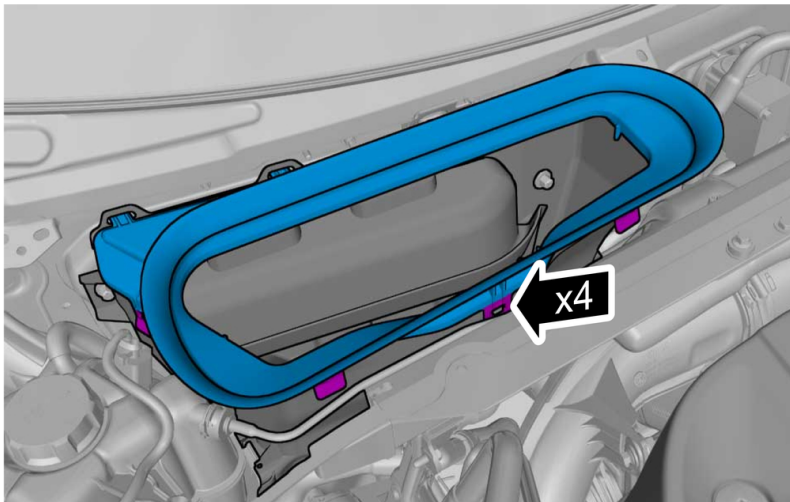
Set the vehicle to Active mode, described in user mode , refer to:

General Information
3 - Electrical system
30 - General
300 - general

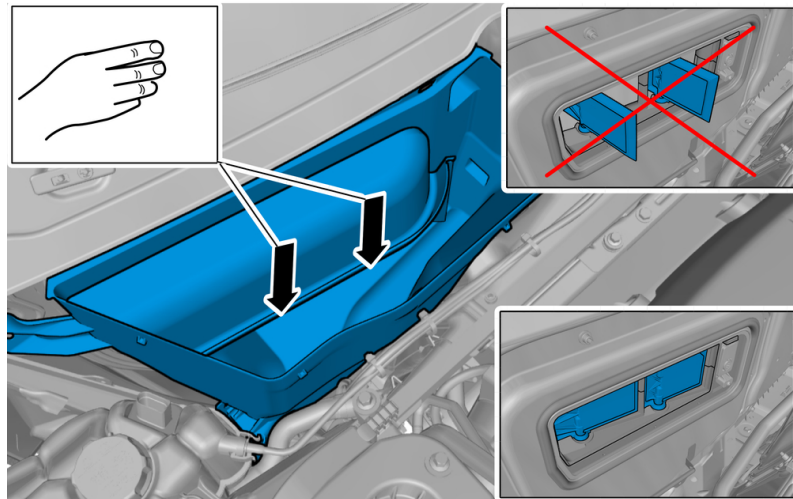
Activate service position according to:
Diagnostics / Components / Control modules/
Climate Control Module (CCM) / Diagnostic
sequences / Service position of damper motors

Set the vehicle to Inactive mode, described in user mode , refer to:

General Information
3 - Electrical system
30 - General
300 - general

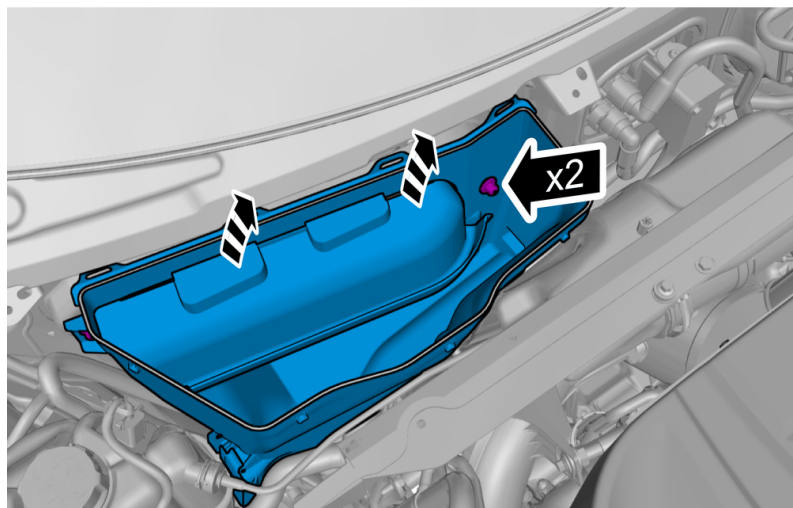


Release the catches.
Remove the part carefully
Remove the marked part.



Caution! Make sure that the flaps have reached service position (closed).

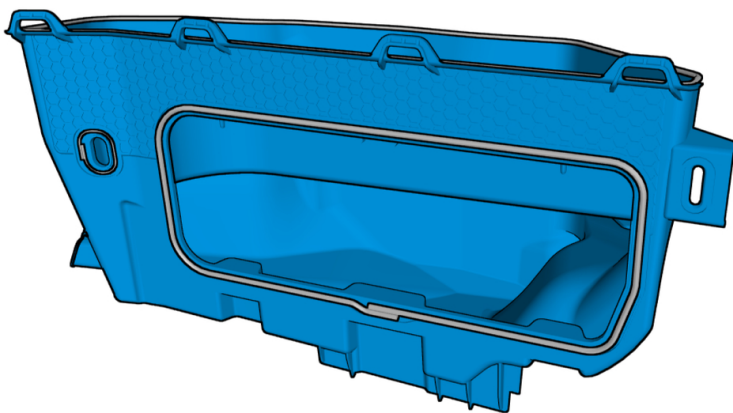
Check with your hand that the flaps have closed. If not, run the script for Service position. Do not force the flaps closed by hand!



Remove the nuts.

Remove the part carefully

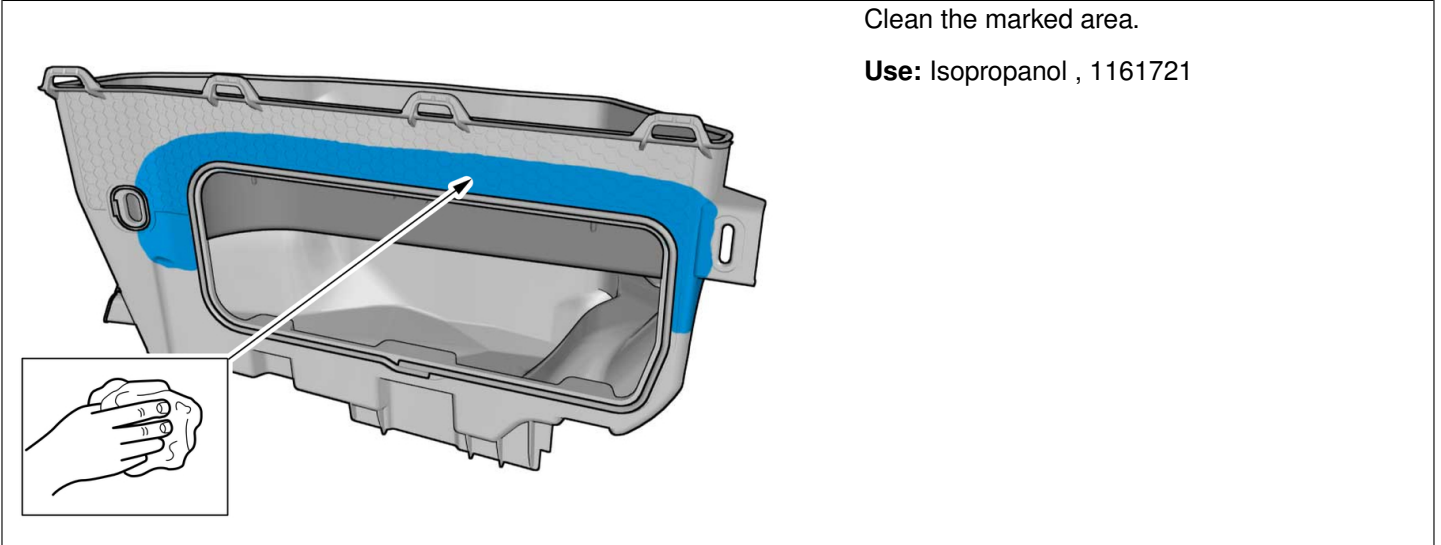
Remove the marked part.



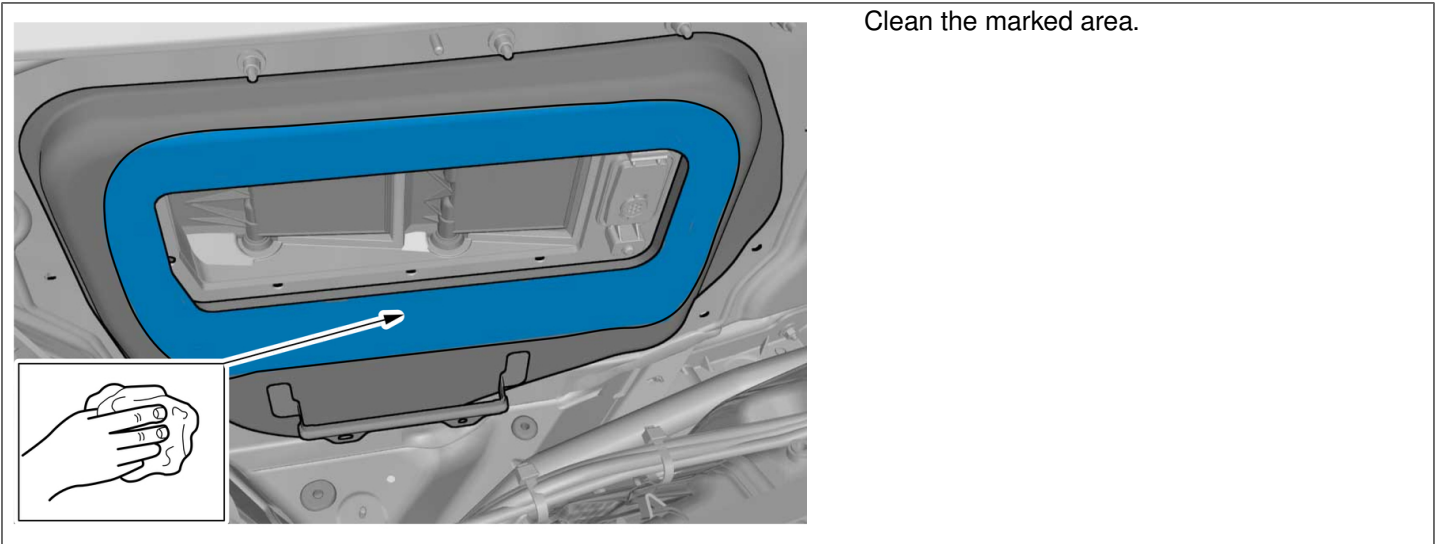
Cleaning

Clean the marked area.

Use: Isopropanol , 1161721

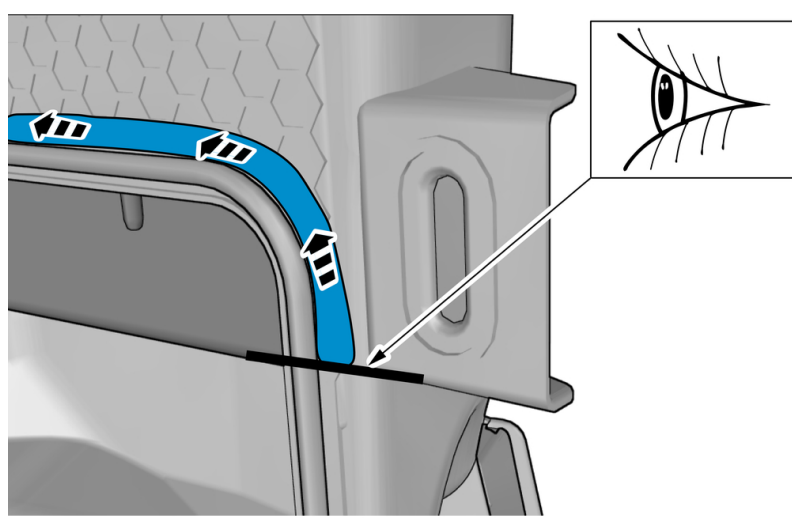


Clean the marked area.

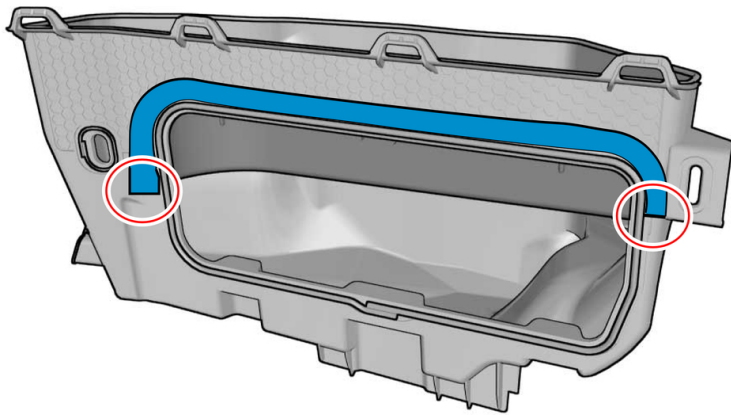


Adjustment

Left hand drive vehicles

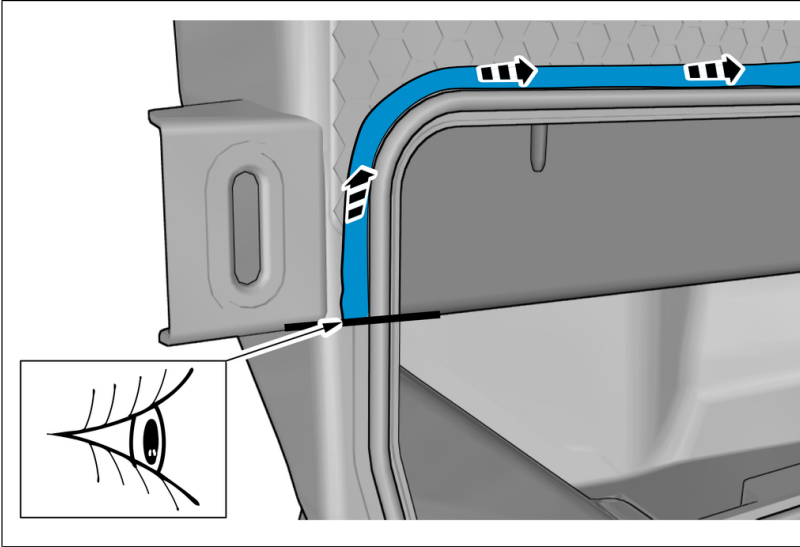


Install the marked component.

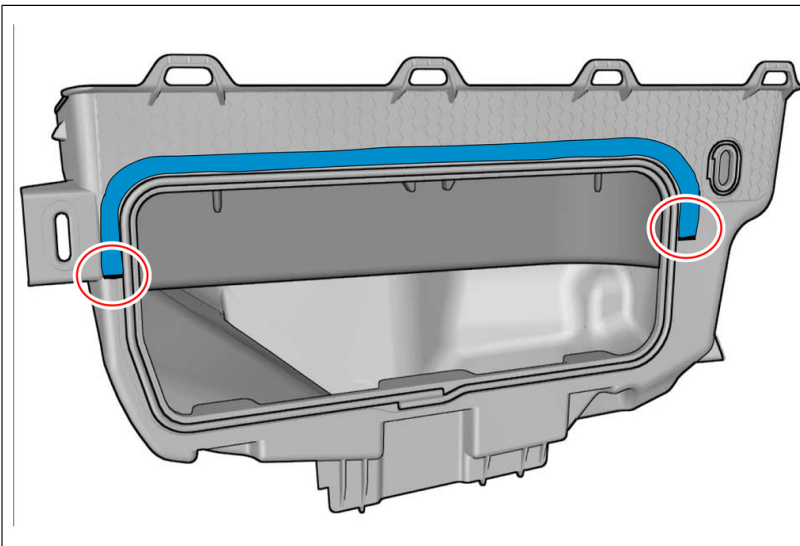


Note! Make sure that the seal is correctly located.

Right-hand drive vehicles

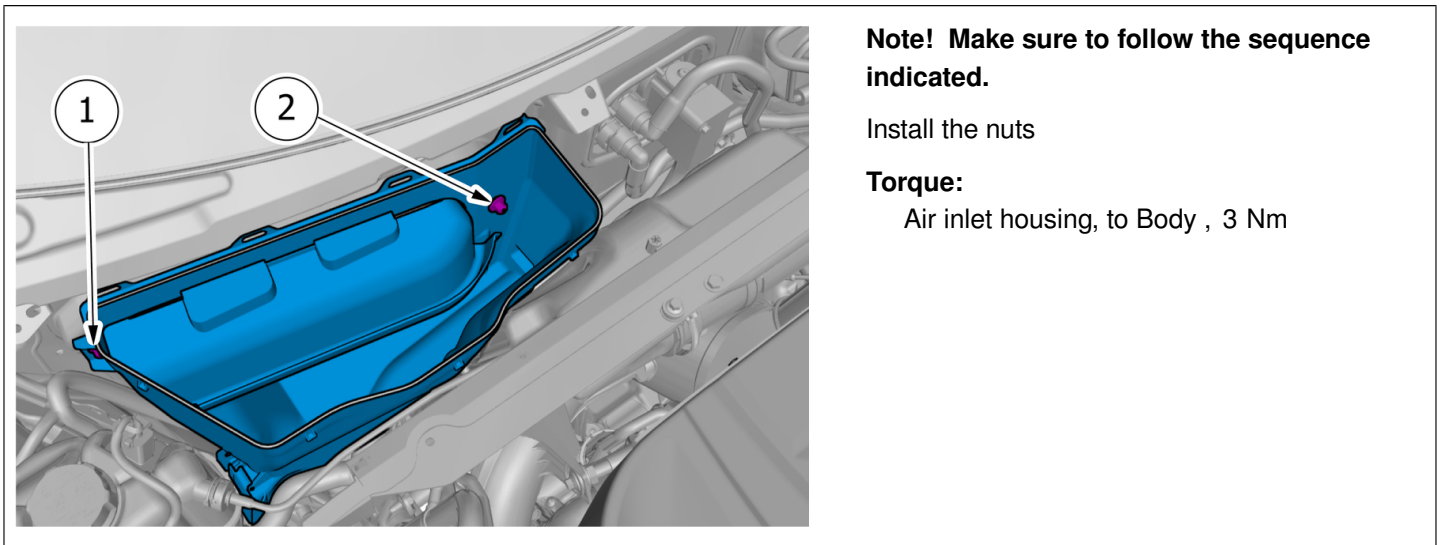
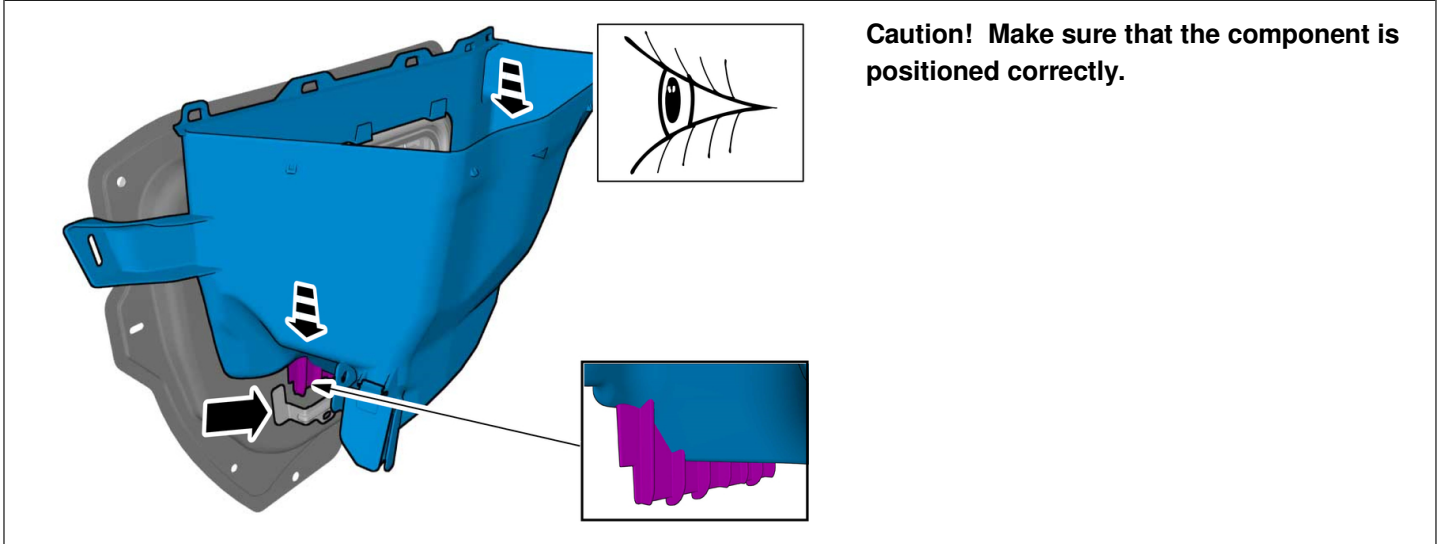


Install the marked component.



Note! Make sure that the seal is correctly located.

All vehicles

Installation

To install, reverse the removal procedure.