



AMPLIFIER FAILURE DUE TO WATER INGRESS

MODEL

F87 (M2)			
----------	--	--	--

SITUATION

No audio heard in vehicle due to failed audio amplifier

CAUSE

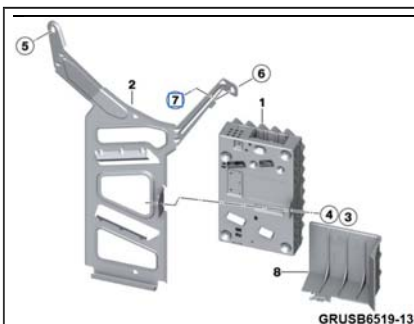
May be the result of water ingress into the audio amplifier

CORRECTION

Replace the audio amplifier and install the part number for the only in conjunction with spray guard (splash shield) if it has not already been installed.

PROCEDURE

1. Perform a vehicle test.
2. Proceed with diagnosis of any audio system faults not related to the amplifier.
3. **Always connect a BMW-approved battery charger/power supply** ([SI B04 23 10](#)).
4. If only the amplifier is faulted, then replace the amplifier as per Repair Instructions 65 12 574. The revised Repair Instructions will be available in July 2019.
5. The new amplifier must be installed with the “only in conjunction with spray guard” (splash shield) if it has not already been installed, then programming and encoding must be performed.
6. For information on programming and coding with ISTA, refer to CenterNet / TIS / Technical Documentation / Diagnostics and Programming / Programming Documentation



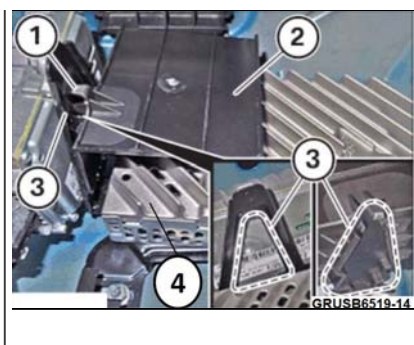
In this picture from the parts catalogue ETK, the amplifier (number 1) is to be replaced as described in this bulletin.

AND;

In conjunction, the splash shield (number 8) is to be installed.

Here is the amplifier installed in the vehicle:

1. – lock



- 2. – splash shield
- 3. – holder for the splash shield
- 4. – amplifier

PARTS INFORMATION

Part Number	Description	Quantity
Refer to ETK	Amplifier	1

And:

Only in conjunction with (the above per ETK)

Part Number	Description	Quantity
65 15 2 715 205	Splash water cover for amplifiers	1

WARRANTY INFORMATION

Covered under the terms of the BMW New Vehicle Limited Warranty for Passenger Cars and Light Trucks.

Defect Code:	6512315000	Amplifier, high fidelity/top hi-fi system (Professional hi-fi system) water ingress/condensation
Labor Operation:	Labor Allowance:	Description:
00 00 006	Refer to AIR	Performing vehicle test (with vehicle diagnosis system – checking faults) (Main work)
Or:		
00 00 556	Refer to AIR	Performing vehicle test (with vehicle diagnosis system – checking faults) (Plus work)
And:		
61 21 528	Refer to AIR	Connect an approved battery charger/power supply (indicated in air as Charging battery)

And with the:

Standard Amplifier

Labor Operation:	Labor Allowance:	Description:
65 12 573	Refer to AIR	Replacing amplifier (after vehicle diagnosis)

Or, with the:

Harman Kardon Hi-Fi System Amplifier

--	--	--

Labor Operation:	Labor Allowance:	Description:
65 12 574	Refer to AIR	Replacing amplifier (Harman Kardon hi-fi system) (after vehicle diagnosis)
And:		
61 00 730	Refer to AIR	Programming/encoding control unit(s)

Refer to AIR for the corresponding flat rate unit (FRU) allowances.

During the same workshop visit, if a vehicle also requires another Technical Campaign or repair that also includes programming and encoding the control units, the programming procedure may only be invoiced one time.

Programming and Encoding - Vehicle Control Units when applicable

The programming procedure automatically reprograms and encodes all vehicle control modules which do not have the latest software i-level. If one or more control module failures occur during this programming procedure:

Please claim this consequential control module-related repair work under the defect code listed in this bulletin with the applicable AIR labor operations.

Please explain this additional work (The why and what) on the repair order and in the claim comments section.

For control module failures that occurred prior to performing this programming procedure:

When covered under an applicable limited warranty, claim this control module-related repair work using the applicable defect code and labor operations.

Other Repairs

If other eligible and covered work is performed as a result of performing the ISTA diagnostics and related test plans, claim this work with the applicable defect code and the labor operations (including diagnosis with separate punch times) that are listed in AIR.

[Copyright ©2019 BMW of North America, Inc.]