

LTB01287NAS2



TECHNICAL BULLETIN

30 MAY 2019

© Jaguar Land Rover North America, LLC

NOTE: The information in Technical Bulletins is intended for use by trained, professional Technicians with the knowledge, tools, and equipment required to do the job properly and safely. It informs these Technicians of conditions that may occur on some vehicles, or provides information that could assist in proper vehicle service. The procedures should not be performed by 'do-it-yourselfers'. If you are not a Retailer, do not assume that a condition described affects your vehicle. Contact an authorized Land Rover service facility to determine whether this bulletin applies to a specific vehicle.

SECTION:

303-01

SUBJECT/CONCERN:

Vibration Felt In Passenger Compartment When Starting and/or Idling Engine

AFFECTED VEHICLE RANGE:

MODEL:	MODEL YEAR:	VIN:	ASSEMBLY PLANT:	APPLICABILITY:
Range Rover Velar (LY)	2018-2019	700000-799996	Solihull	INGENIUM I4 2.0L Petrol/INGENIUM I4 2.0L Diesel
Range Rover Velar (LY)	2019 Onwards	200017 Onwards	Solihull	INGENIUM I4 2.0L Petrol/INGENIUM I4 2.0L Diesel

MARKETS:

NORTH AMERICA

CONDITION SUMMARY:**SITUATION:**

A vibration may be felt in the passenger compartment when starting the engine or when stationary with the engine at idle.

CAUSE:

This may be caused by a faulty active engine mount(s).

ACTION:

Should a customer express this concern, follow the procedure(s) below.

PARTS:**NOTES:**

An Electronic Product Quality Report (EPQR) must be submitted, including a clear photograph of the original damaged/leaking active engine mount(s) installed in the vehicle, for new active engine mount(s) (part numbers LR133315 and LR133316) to be released.

- Use the Vehicle Identification Number (VIN) and the Electronic Parts Catalog (EPC) to confirm part number(s) necessary to perform repairs.
- Part numbers LR112414 and LR112416 may be re-used for installation if there are no signs of damage or wear.

PART NUMBER	DESCRIPTION	QUANTITY
LR133316	Active engine mount - Left	1
LR133315	Active engine mount - Right	1
LR073658	Exhaust manifold gasket - High Pressure (HP) turbocharger	1
LR073663	Exhaust manifold spacers and bolt(s) - High Pressure (HP) turbocharger	8
LR075627	Exhaust Gas Recirculation (EGR) pipe gasket - High Pressure (HP) turbocharger	1

PART NUMBER	DESCRIPTION	QUANTITY
LR112414	Turbocharger gasket kit - High Pressure (HP) turbocharger	1
LR073687	Upper oil return O-ring seal - High Pressure (HP) turbocharger	1
LR073688	Lower oil return O-ring seal - High Pressure (HP) turbocharger	2
LR112416	Turbocharger outlet pipe O-ring kit - High Pressure (HP) turbocharger	1
LR073671	Turbocharger oil feed banjo washers - High Pressure (HP) turbocharger	2
LR073723	Turbocharger to exhaust manifold gasket - Low Pressure (LP) turbocharger	1
LR073687	Upper oil return O-ring seal - Low Pressure (LP) turbocharger	1
LR073688	Lower oil return O-ring seal - Low Pressure (LP) turbocharger	1
LR073671	Turbocharger oil feed banjo washers - Low Pressure (LP) turbocharger	2
LR084673	EGR cooler O-ring - Low Pressure (LP) turbocharger	1
LR083961	EGR cooler gasket - Low Pressure (LP) turbocharger	1
LR072251	Catalytic converter turbo gasket	1
LR111338	Catalytic converter turbo clamp	1
LR118293	EGR gasket	1
LR085942	DPF to exhaust gasket	1
LR082314	EGR pipe to EGR valve gasket	1
LR083963	EGR pipe to intake manifold O-ring	1
LR105592	Thermostat to cylinder block gasket	1
LR133927	Vacuum pipe attachment - Right	1
LR133928	Vacuum pipe attachment - Left	1

TOOLS:

Refer to Workshop Manual for any required special tools.

WARRANTY:

△ NOTES:

- Repair procedures are under constant review, and therefore times are subject to change; those quoted here must be taken as guidance only. Use TOPIx to obtain the latest repair time.
- The JLR claims submission system requires the use of causal part numbers. Labor only claims must show the causal part number with a quantity of zero.

DESCRIPTION	SRO	TIME (HOURS)	CONDITION CODE	CAUSAL PART
Mounting - Set - Renew - Ingenium I4 2.0L diesel (180PS)	12.45.20	1.8	01	T4A31807
Mounting - Set - Renew - Ingenium I4 2.0L petrol	12.45.20	1	01	T4A31807
Active engine mount vacuum hose - Modification	12.45.89.31	0.1	01	T4A31807

△ NOTE:

Normal Warranty procedures apply.

SERVICE INFORMATION:

1

△ NOTE:

An Electronic Product Quality Report (EPQR) must be submitted, including a clear photograph of the original damaged/leaking active engine mount(s) installed in the vehicle, for new active engine mount(s) (part numbers LR133315 and LR133316) to be released.



E246391

Excessively worn and/or leaking active engine mount.

2



Excessively worn and/or leaking active engine mount.

3



Excessively worn and/or leaking active engine mount.

SERVICE INSTRUCTION:

△ NOTES:

- Some components may be shown removed to provide extra clarity.
- Some variation in the illustrations may occur, but the essential information is always correct.

1

△ NOTE:

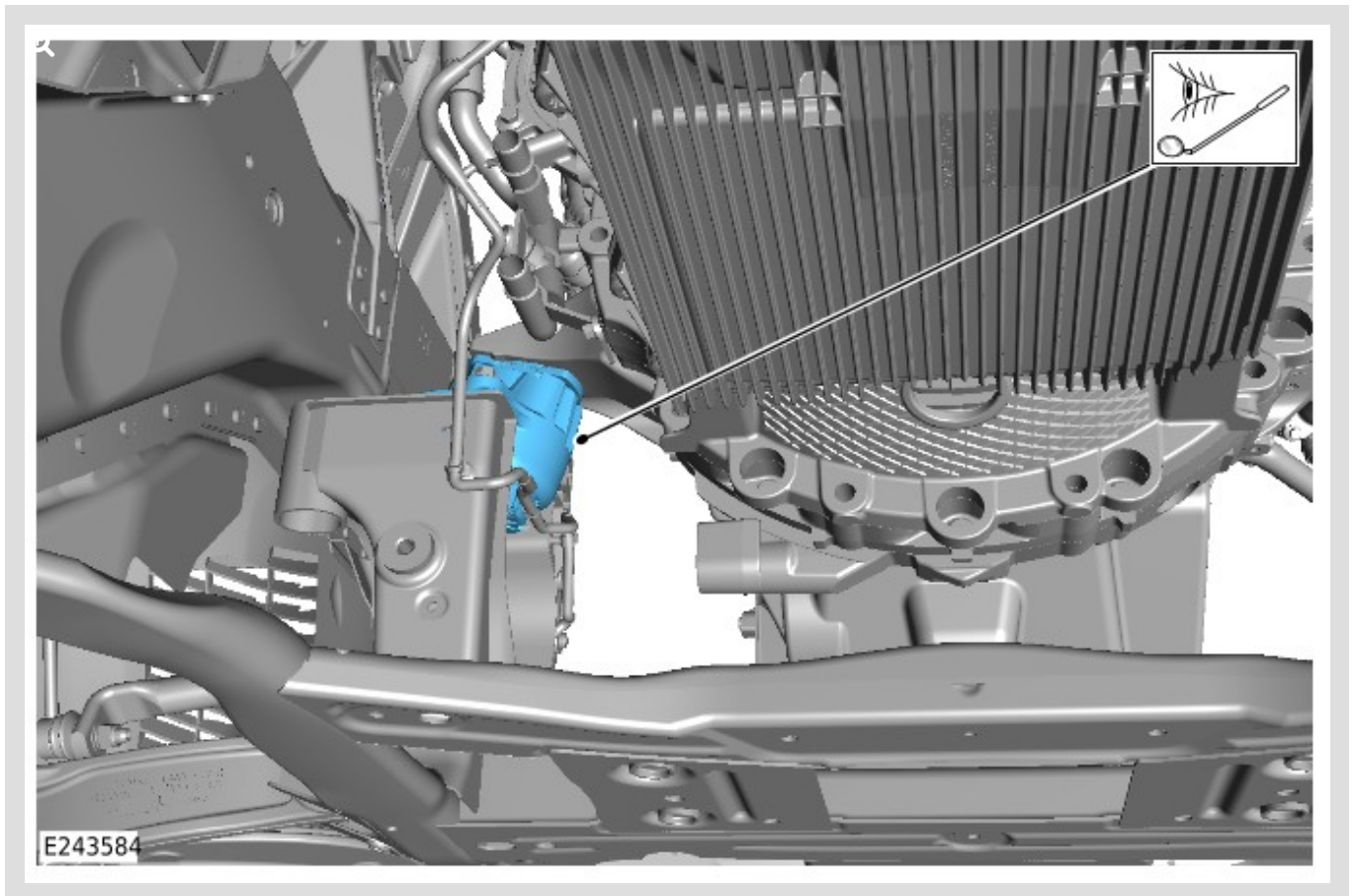
The air deflector may also be known as engine undershield.

Remove the air deflector (see TOPIx Workshop Manual section 501-02: Removal and Installation - Engine Undershield).

2

NOTE:

Repeat this step for the opposite side.

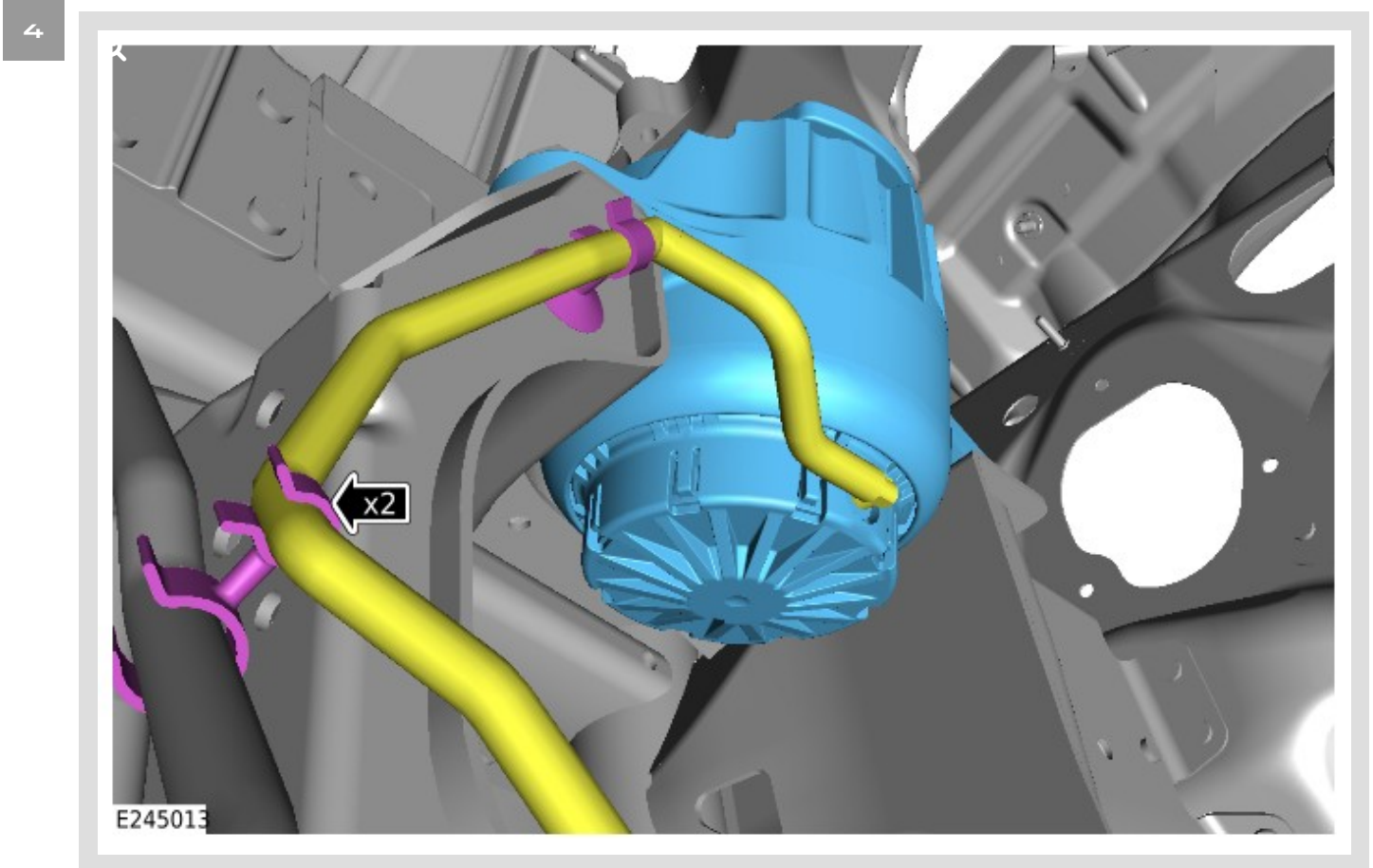


Inspect the left and right active engine mounts for signs of excessive wear and/or leaking fluid.

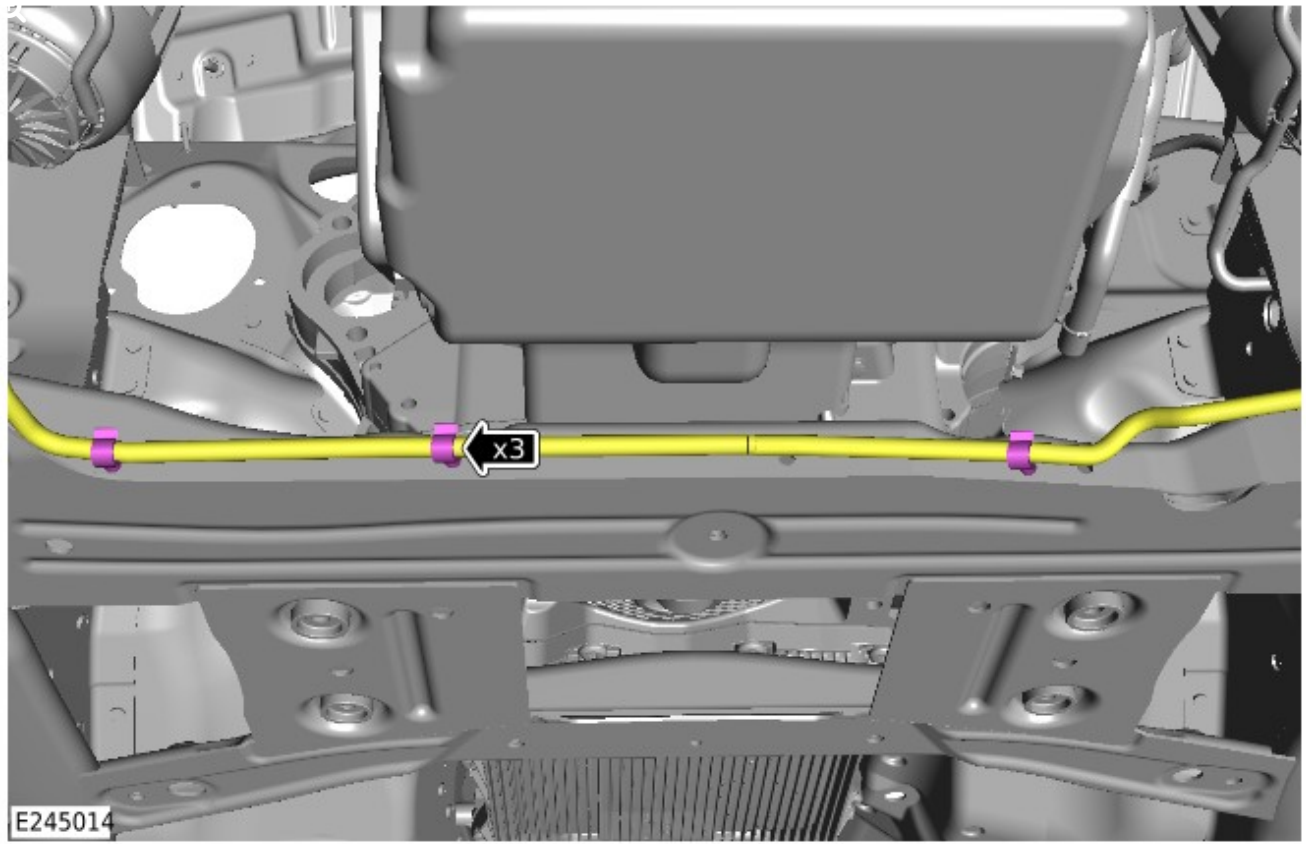
- If the left and right active engine mounts do not show signs of excessive wear and/or leaking fluid, do not continue with this Technical Bulletin. The content of this technical bulletin does not directly relate to the customer's concern.
 - Continue to diagnose the vehicle (see TOPIx Workshop Manual section 303-00: Diagnosis and Testing - Engine).
- If the left and right active engine mounts do show signs of excessive wear and/or leaking fluid, go to Step 3.

3 Renew the left and right active engine mounts (see TOPIx Workshop Manual section 303-01: Removal and Installation - Left/Right Engine mount).

- Do not install the air deflector and the active engine mount vacuum hose to the active engine mounts during this step.

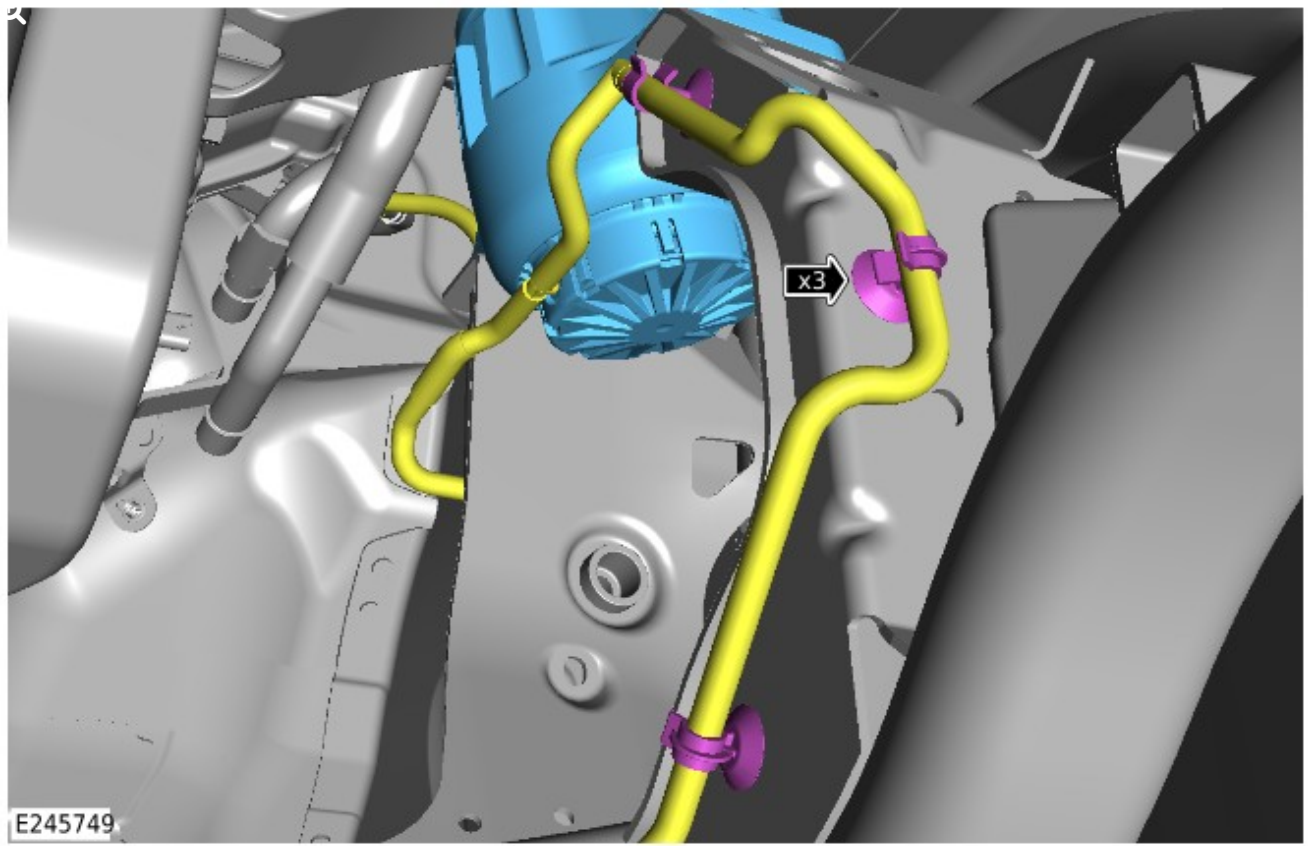


Disconnect the active engine mount vacuum hose from the fastener(s).



Disconnect the active engine mount vacuum hose from the fastener(s).

6

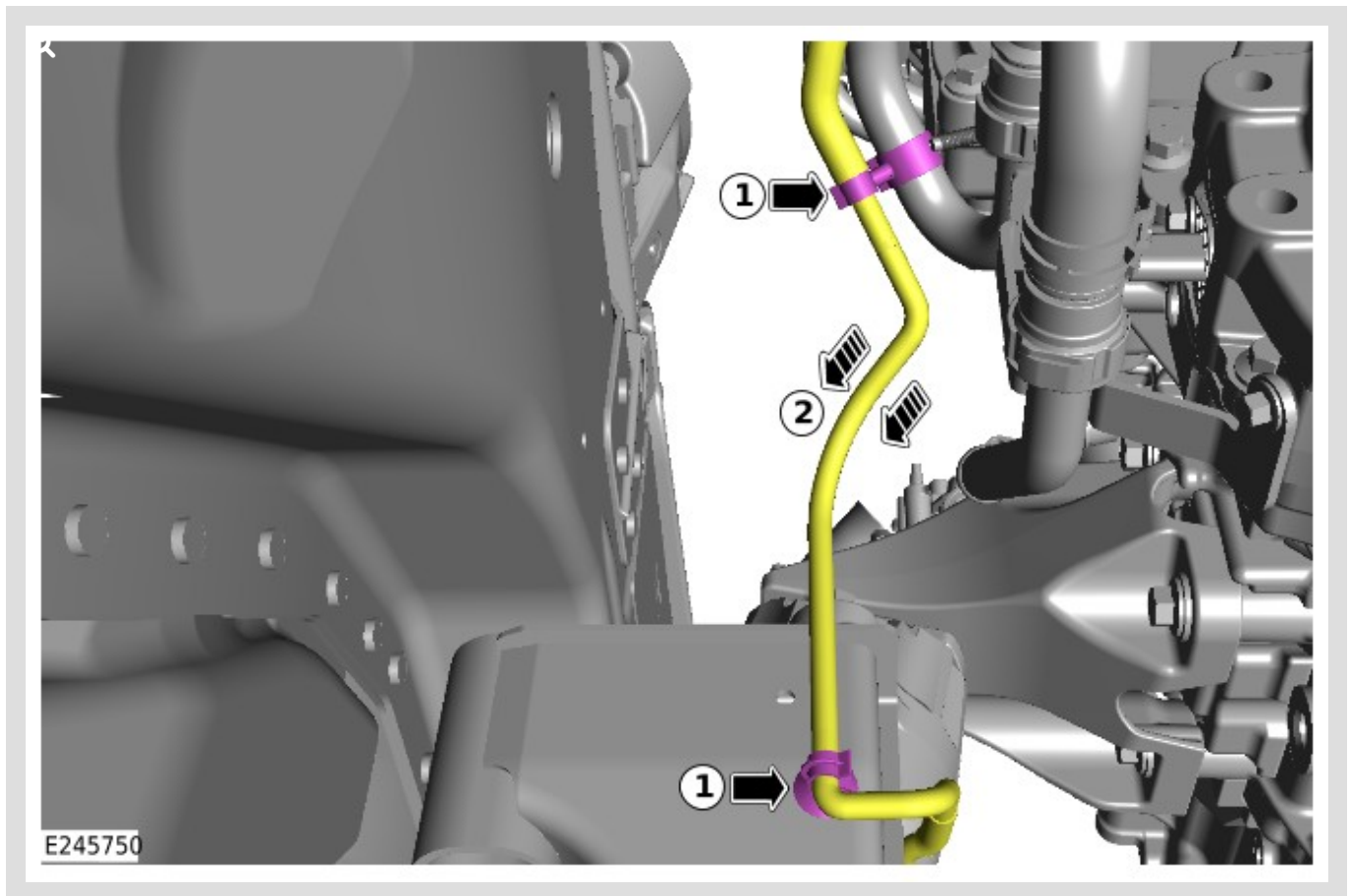


Disconnect the active engine mount vacuum hose from the fastener(s).

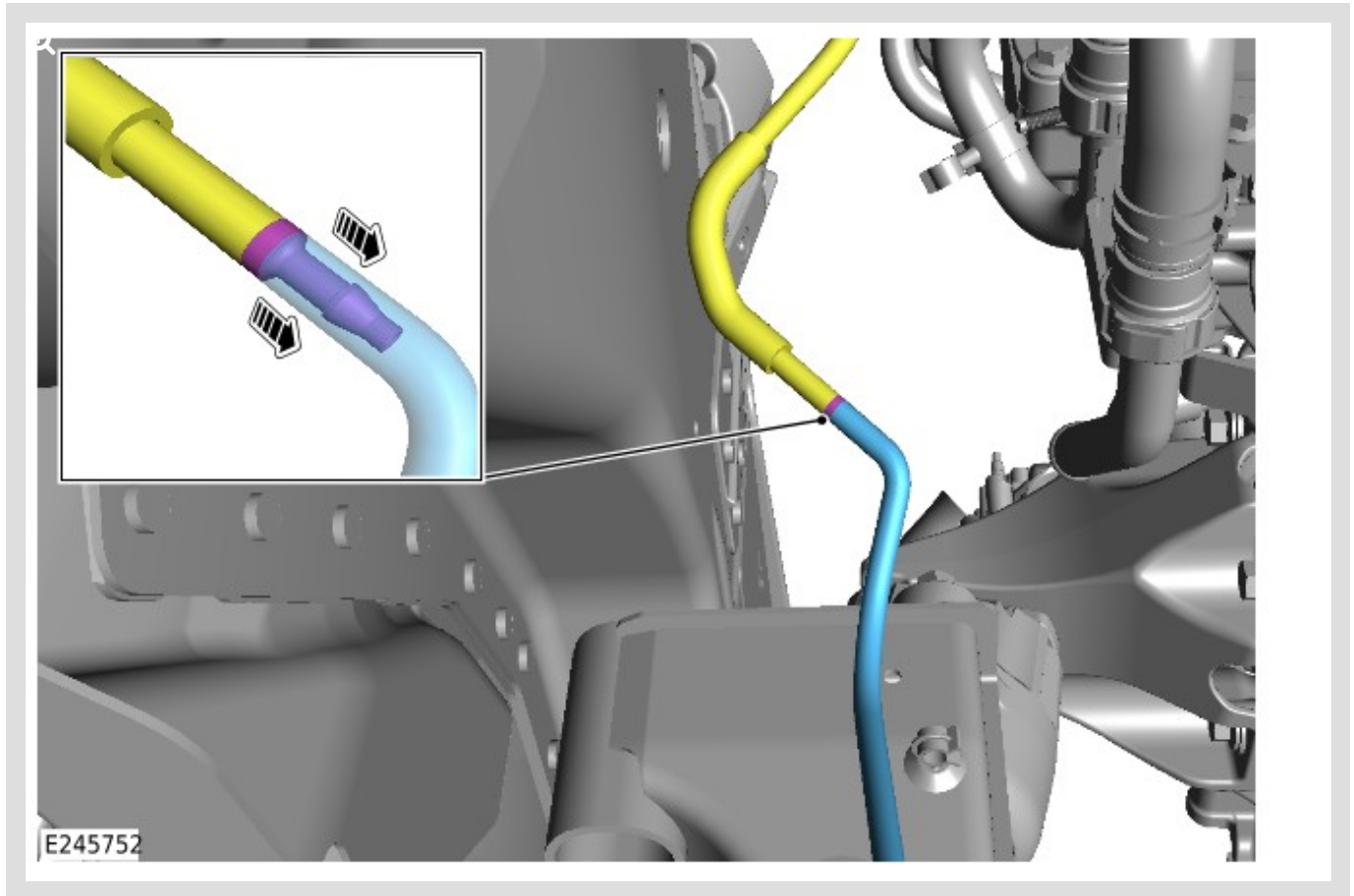
7

 **NOTE:**

Do not pull on the active engine mount vacuum hose.

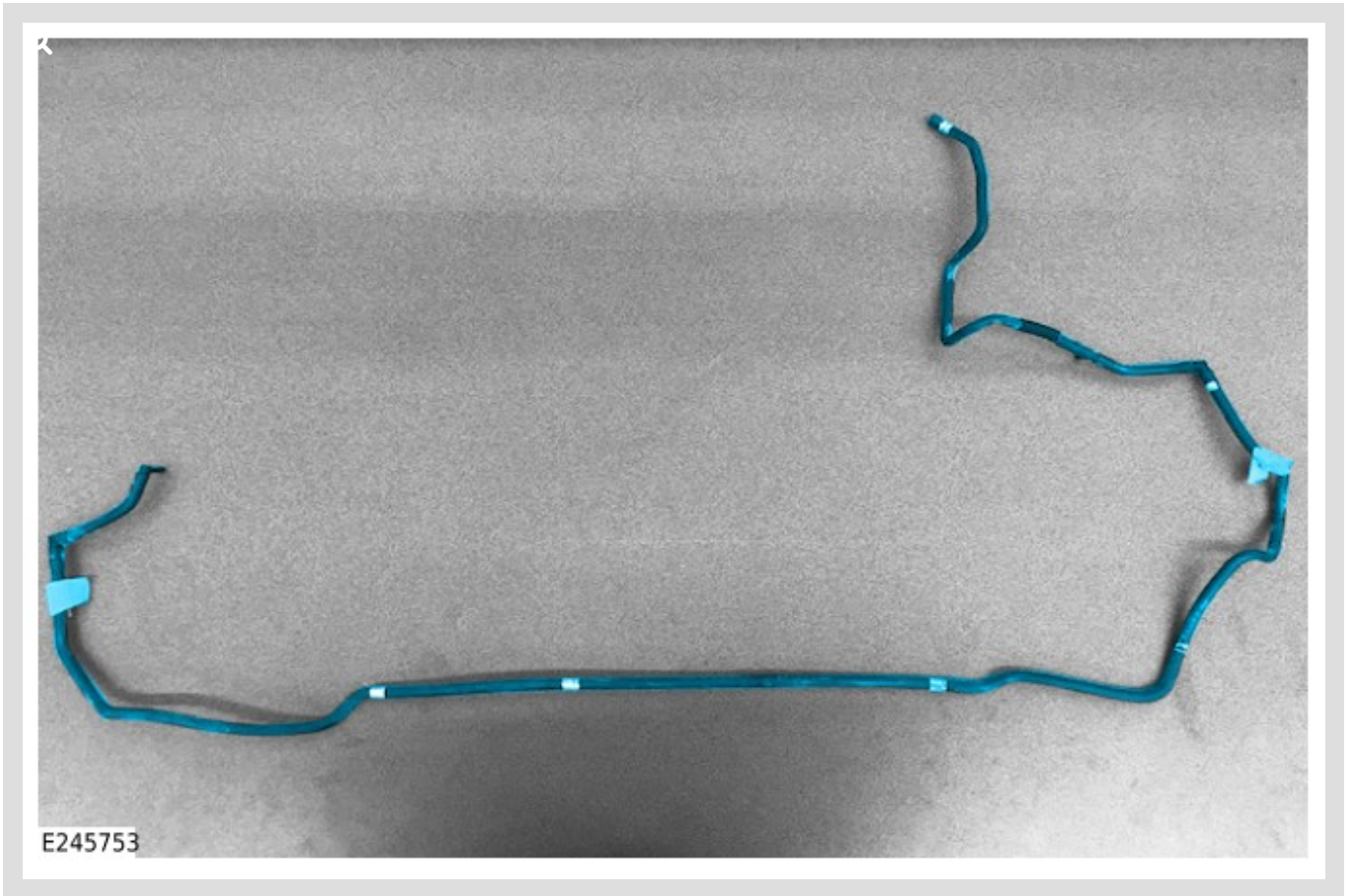


Disconnect the active engine mount vacuum hose from the fastener(s) and let the active engine mount vacuum hose reposition downward.

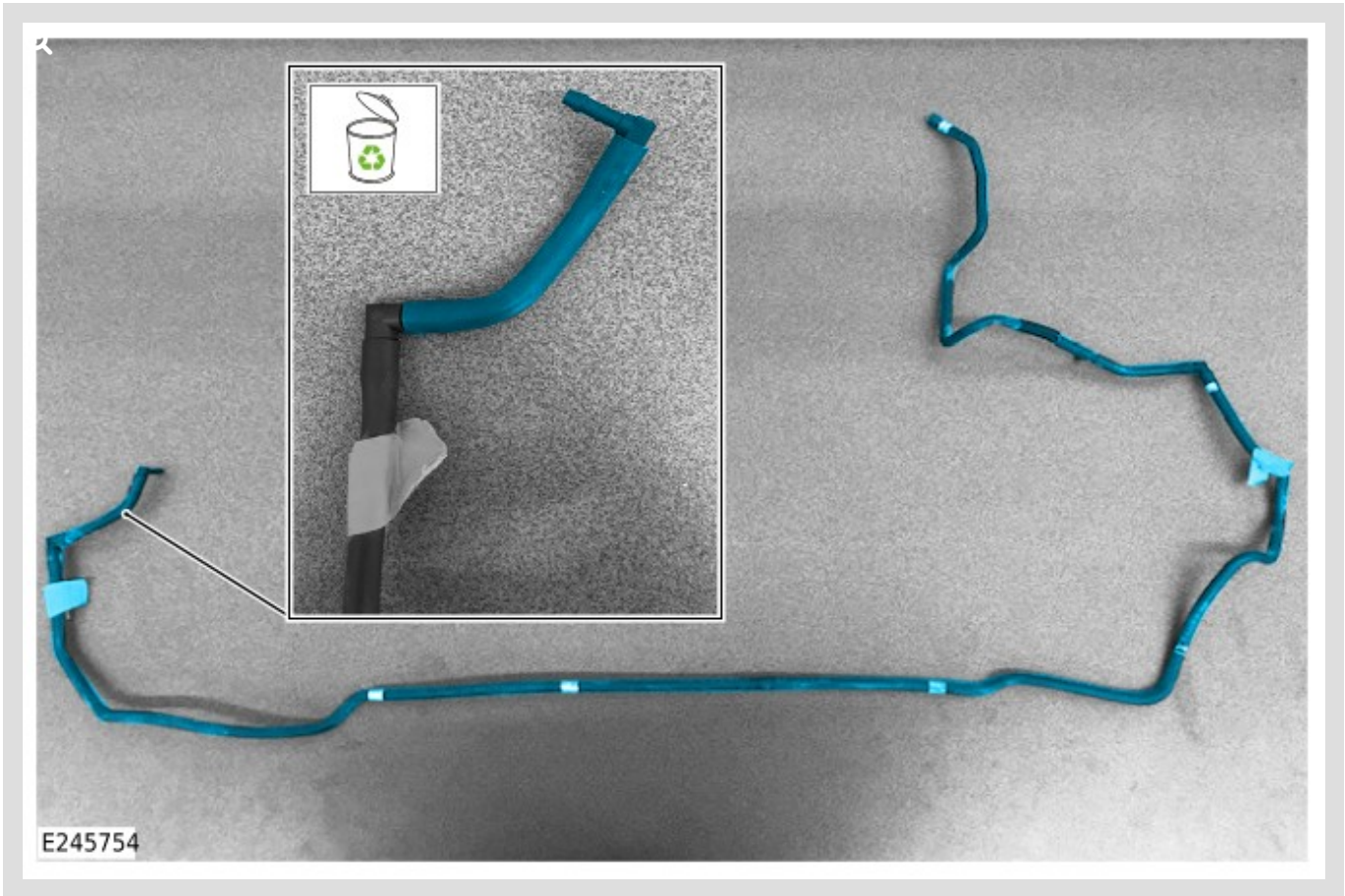


Separate the active engine mount vacuum hose at the connector shown.

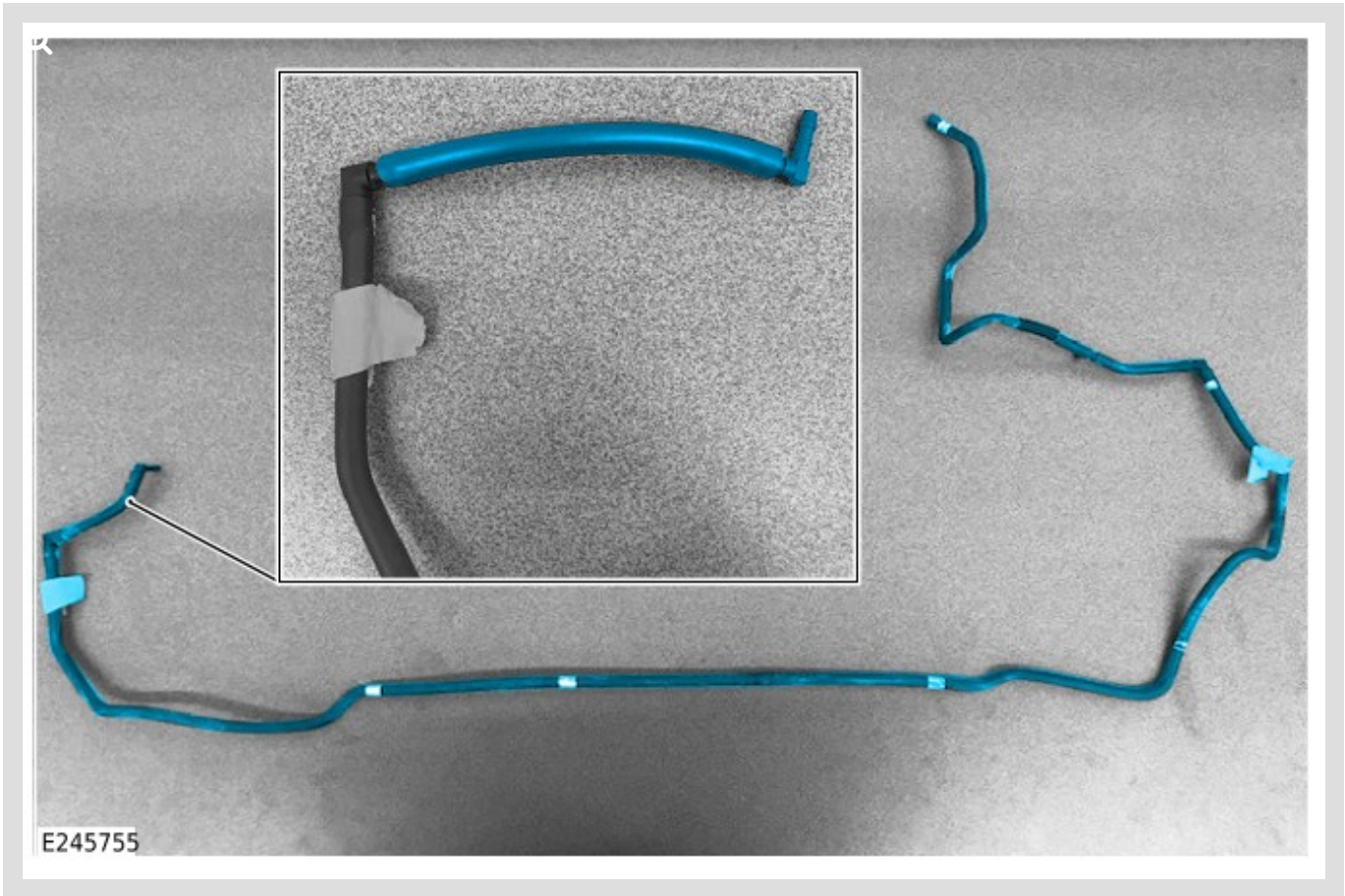
- Remove the active engine mount vacuum hose from the vehicle.



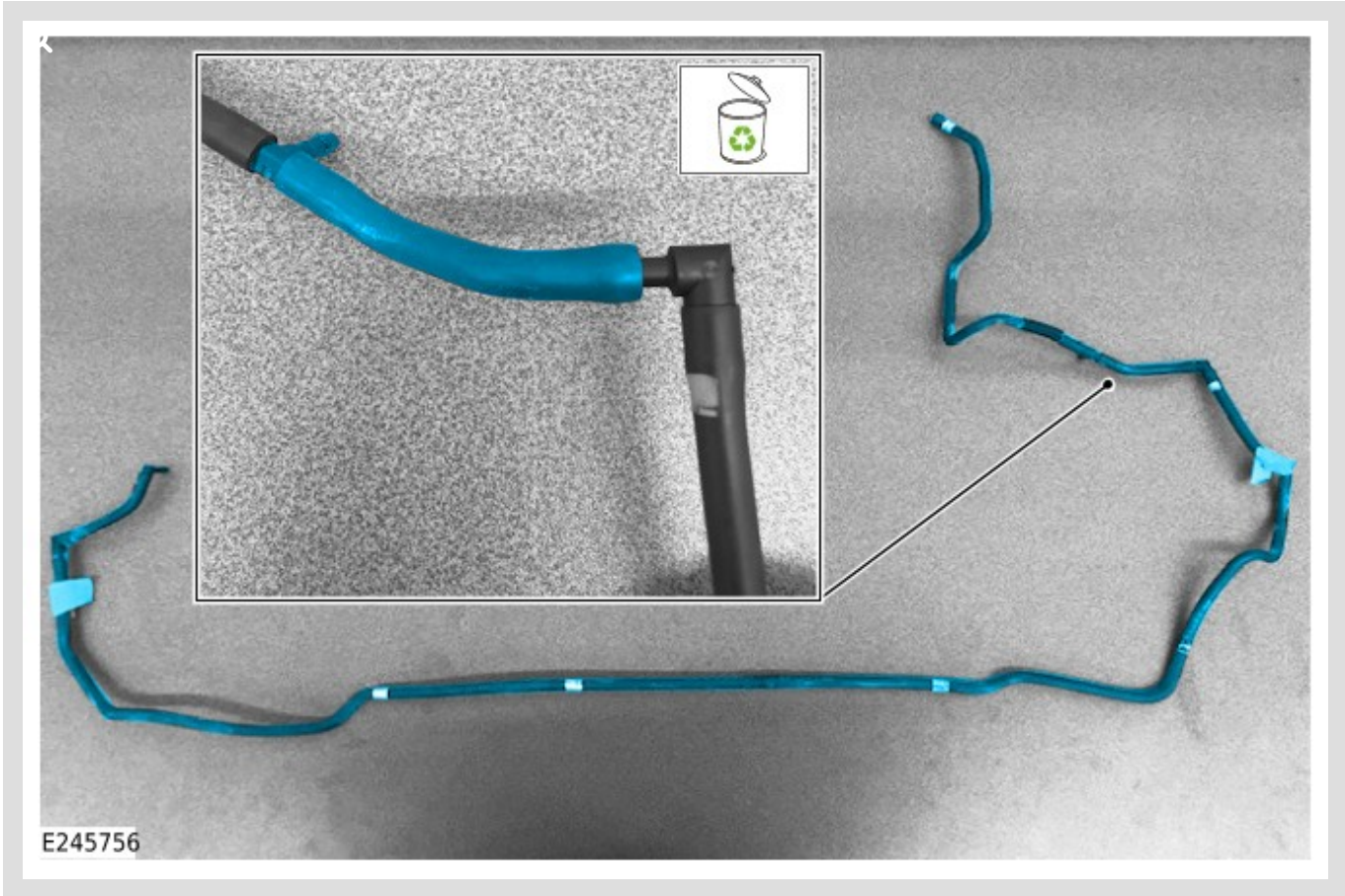
Active engine mount vacuum hose shown removed from the vehicle.



Remove and discard the section of active engine mount vacuum hose.



Install the section of active engine mount vacuum hose as shown.



Remove and discard the section of active engine mount vacuum hose.

13



Install the section of active engine mount vacuum hose as shown.

14 Reverse Steps 4-8.

15  **NOTE:**

Repeat this step for the opposite side of the vehicle.

Install the active engine mount vacuum hose to the active engine mount.

16 Install the air deflector (see TOPIx Workshop Manual section 501-02: Removal and Installation - Engine Undershield).